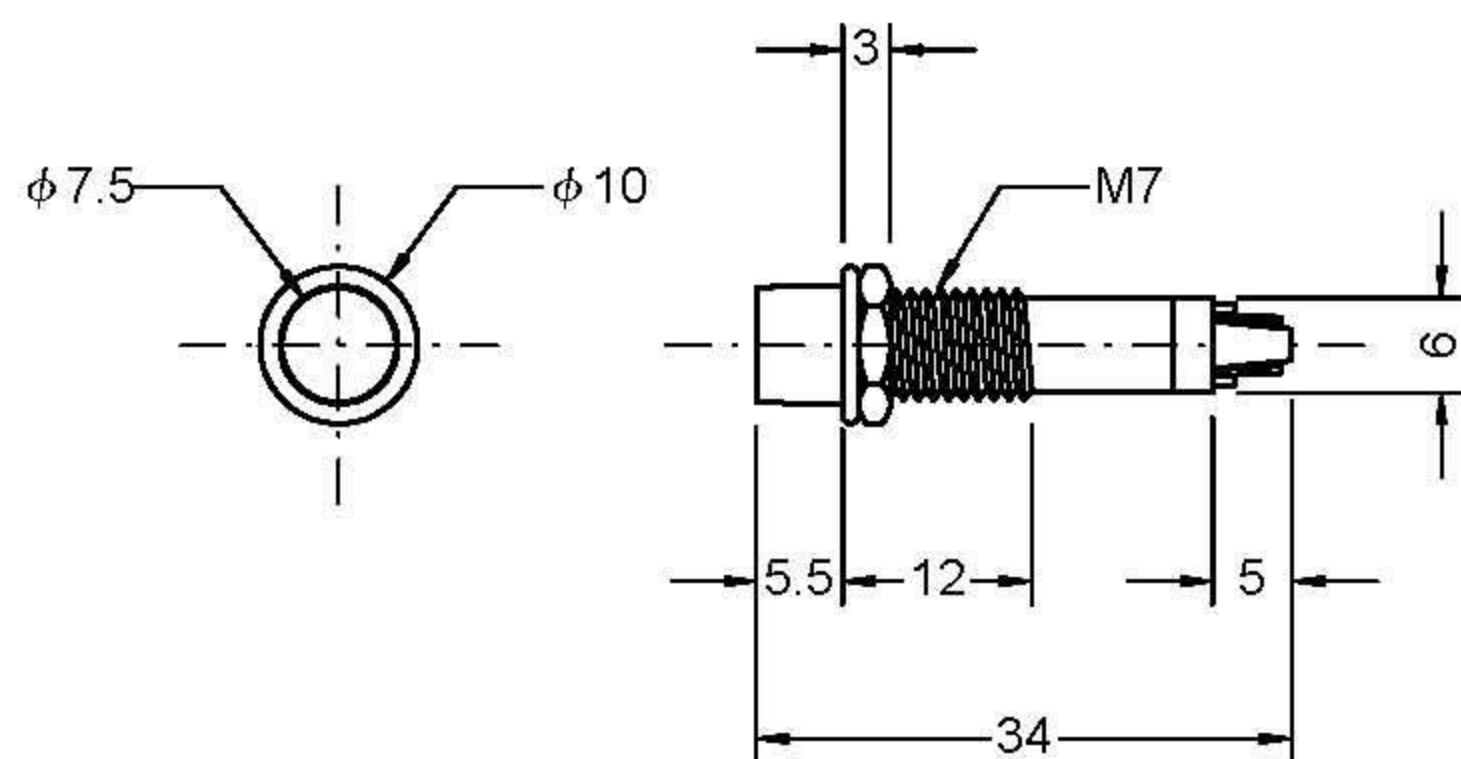


材 質 表

NO.	部品名稱 PART NAME	部品材質 MATERIAL
1	本體 HOSING	壓克力 ACRYLIC
2	螺母 NUT	青銅 BRONZE
3	華司 WASHER	鐵圈 IRON HOOP
4	底座 HOLDER	尼龍66+玻璃纖維
5	焊片 SOLDER	青銅 BRONZE
6	燈泡 LAMP	4X11+1/4W電阻



MODEL NO.

LAMP COLOR

- N-814-R-120V RED
- N-814-O-120V ORANGE
- N-814-G-120V GREEN
- N-814-R-220V RED
- N-814-O-220V ORANGE
- N-814-G-220V GREEN
- N-814L-R-6V RED
- N-814L-Y-6V YELLOW
- N-814L-G-6V GREEN
- N-814L-R-12V RED
- N-814L-Y-12V YELLOW
- N-814L-G-12V GREEN
- N-814L-R-24V RED
- N-814L-Y-24V YELLOW
- N-814L-G-24V GREEN
- N-814P-R-6V RED
- N-814P-O-6V ORANGE
- N-814P-G-6V GREEN
- N-814P-R-12V RED
- N-814P-O-12V ORANGE
- N-814P-G-12V GREEN
- N-814P-R-24V RED
- N-814P-O-24V ORANGE
- N-814P-G-24V GREEN

品名
TITLE

INDICATOR LIGHT

單位
DIMENSION UNIT

m m

型號
MODEL NO.

N-814 SERIES

比例
SCALE

1 : 1