

### Description

The DFI300HF12DF1 offer ultrafast switching speed for high frequency application.



### Features

- 1200V300 A,  $V_{CE(sat)}(typ.) = 2.30V$
- Lower losses, higher system efficiency
- Excellent short circuit ruggedness
- 62mm half bridge module

### Applications

- Welder
- Inverter
- Power supply
- Inductive heating
- UPS EPS

### Circuit diagram

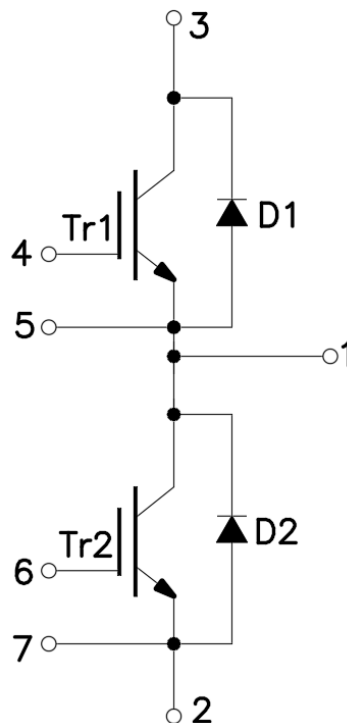


Figure 1. Out drawing & circuit diagram for DFI300HF12DF1

## Pin Configuration and Marking Information

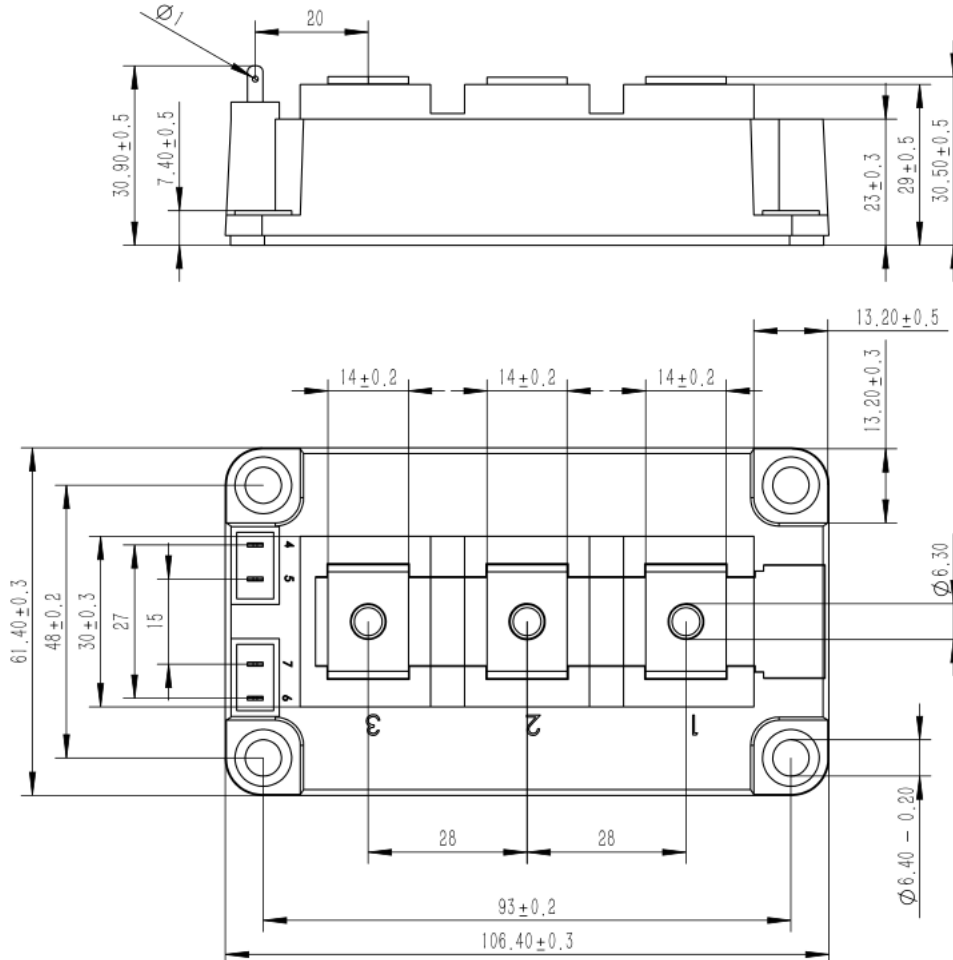


Figure 2. Pin configuration

## Module

Parameter	Conditions	Value	Unit
Isolation Voltage	RMS, f = 50Hz, t = 1min	2.5	KV
Material of module baseplate	-	Cu	-
Creepage distance	terminal to heatsink terminal to terminal	47 26	mm
Clearance	terminal to heatsink terminal to terminal	29 14	mm
CTI	-	>200	-
Module lead resistance, terminals – chip	T <sub>C</sub> = 25°C	0.8	mΩ
Mounting torque for module mounting	M6	3 to 6	Nm
Weight	-	315	g

### Maximum Ratings (IGBT, $T_j=25^{\circ}\text{C}$ unless otherwise specified)

Symbol	Parameter	Conditions	Ratings	Unit
$V_{CES}$	Collector-Emitter Voltage	G-E Short	1200	V
$V_{GES}$	Gate-Emitter Voltage	C-E Short	$\pm 30\text{V}$	V
$I_C$	DC Continuous Collector Current	$T_C=100^{\circ}\text{C}$	300	A
$I_{CM}$	Pulse Collector Current	$t_p=1\text{ms}$ , Note1	600	A
$P_C$	Maximum Power Dissipation	$T_C=25^{\circ}\text{C}$ , $T_j=150^{\circ}\text{C}$ (IGBT)	1140	W
$T_j$	junction temperature	-	-40 to 150	$^{\circ}\text{C}$
$T_{stg}$	Storage temperature	-	-40 to 125	$^{\circ}\text{C}$

Note1: Pulse width limited by maximum junction temperature

### Maximum Ratings (Freewheeling diode, $T_j=25^{\circ}\text{C}$ unless otherwise specified)

Symbol	Parameter	Conditions	Ratings	Unit
$V_{RRM}$	Peak Repetitive Revers Voltage	-	1200	V
$I_F$	Diode forward Current	$T_C=100^{\circ}\text{C}$	300	A
$I_{FRM}$	Repetitive peak forward Current	$t_p=1\text{ms}$ , Note1	600	A
$T_j$	junction temperature	-	-40 to 150	$^{\circ}\text{C}$
$T_{stg}$	Storage temperature	-	-40 to 125	$^{\circ}\text{C}$

Note1: Pulse width limited by maximum junction temperature

### IGBT Electrical characteristics ( $T_j=25^{\circ}\text{C}$ unless otherwise specified, chip)

Symbol	Item	Condition	Value			Unit	
			Min.	Typ.	Max		
$V_{CE(sat)}$ (Chip)	Collector-Emitter Saturation Voltage	$I_C=300\text{A}$ $V_{GE}=15\text{V}$	$T_j=25^{\circ}\text{C}$	-	2.3	2.5	V
			$T_j=125^{\circ}\text{C}$	-	2.7	-	V
$V_{GE(th)}$	Gate-Emitter threshold Voltage	$I_C=1\text{mA}$ , $V_{CE}=V_{GE}$	4.5	-	5.7	V	
$Q_G$	Gate charge	$V_{GE}=-15\text{V}$ to $+15\text{V}$	-	2.2	-	$\mu\text{C}$	
$R_{Gint}$	Internal gate resistor	$f=1\text{M}$ , $V_{pp}=1\text{V}$	$T_j=25^{\circ}\text{C}$	-	2.5	-	$\Omega$
$C_{ies}$	Input Capacitance	$V_{CE}=25\text{V}$ , $V_{GE}=0\text{V}$ $f=1\text{MHz}$	$T_j=25^{\circ}\text{C}$	-	22.0	-	nF
$C_{oes}$	Output Capacitance			-	3.1	-	nF
$C_{res}$	Reverse transfer Capacitance			-	1.8	-	nF
$I_{CES}$	Collector- Emitter Cut off Current	$V_{CE}=1200\text{V}$ , $V_{GE}=0\text{V}$	$T_j=25^{\circ}\text{C}$	-	-	5	mA
$I_{GES}$	Gate-Emitter Leakage Current	$V_{GE}=30\text{V}$ , $V_{CE}=0\text{V}$	$T_j=25^{\circ}\text{C}$	-	-	400	nA
$t_{d(on)}$	Turn-on delay time	$V_{CC}=600\text{V}$ $I_C=300\text{A}$	$T_j=25^{\circ}\text{C}$	-	120	-	ns
			$T_j=125^{\circ}\text{C}$	-	130	-	
$t_r$	Rise time	$V_{GE}=+15\text{V}/-15\text{V}$ $R_G=3.3\Omega$	$T_j=25^{\circ}\text{C}$	-	90	-	ns
			$T_j=125^{\circ}\text{C}$	-	100	-	
$t_{d(off)}$	Turn-off delay time	Inductive load	$T_j=25^{\circ}\text{C}$	-	720	-	ns
			$T_j=125^{\circ}\text{C}$	-	780	-	

t <sub>f</sub>	Fall time	V <sub>CC</sub> = 600V	T <sub>j</sub> = 25°C	-	90	-	ns
			T <sub>j</sub> = 125°C	-	120	-	
E <sub>on</sub>	Turn-on power dissipation	I <sub>C</sub> = 300A V <sub>GE</sub> = +15V/-15V	T <sub>j</sub> = 25°C	-	10.5	-	mJ
			T <sub>j</sub> = 125°C	-	13.5	-	
E <sub>off</sub>	Turn-off power dissipation	R <sub>G</sub> = 3.3Ω Inductive load	T <sub>j</sub> = 25°C	-	19.5	-	mJ
			T <sub>j</sub> = 125°C	-	23.0	-	
R <sub>th(j-c)</sub>	Thermal Resistance, Junction to Case (IGBT)		-	-	-	0.110	°C/W

### Freewheeling Diode Electrical characteristics (T<sub>j</sub> = 25°C unless otherwise specified, chip)

Symbol	Item	Condition	Value			Unit	
			Min.	Typ.	Max		
V <sub>F</sub>	Diode Forward Voltage	I <sub>F</sub> = 300A, V <sub>GE</sub> = 0V	T <sub>j</sub> = 25°C	-	1.9	2.2	V
			T <sub>j</sub> = 125°C	-	1.9	-	
t <sub>rr</sub>	Reverse recovery time	V <sub>rr</sub> = 600V, I <sub>F</sub> = 300A di/dt = 3000A/μs	T <sub>j</sub> = 25°C	-	230	-	ns
			T <sub>j</sub> = 125°C	-	300	-	
I <sub>rr</sub>	Peak reverse recovery Current	V <sub>rr</sub> = 600V, I <sub>F</sub> = 300A di/dt = 3000A/μs	T <sub>j</sub> = 25°C	-	220	-	A
			T <sub>j</sub> = 125°C	-	280	-	
Q <sub>rr</sub>	Recovered charge	V <sub>rr</sub> = 600V, I <sub>F</sub> = 300A di/dt = 3000A/μs	T <sub>j</sub> = 25°C	-	24.5	-	nC
			T <sub>j</sub> = 125°C	-	42.5	-	
E <sub>rr</sub>	Reverse recovered energy	V <sub>rr</sub> = 600V, I <sub>F</sub> = 300A di/dt = 3000A/μs	T <sub>j</sub> = 25°C	-	7.8	-	mJ
			T <sub>j</sub> = 125°C	-	15.5	-	
R <sub>th(j-c)</sub>	Thermal Resistance, Junction to Case (Diode)		-	-	-	0.115	°C/W

## Test Conditions

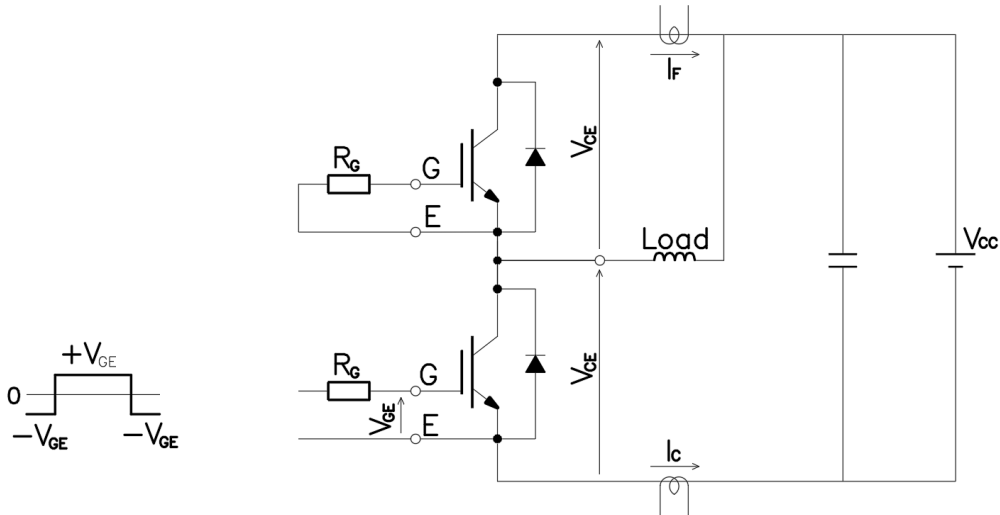


Figure 3. Switching time measure circuit

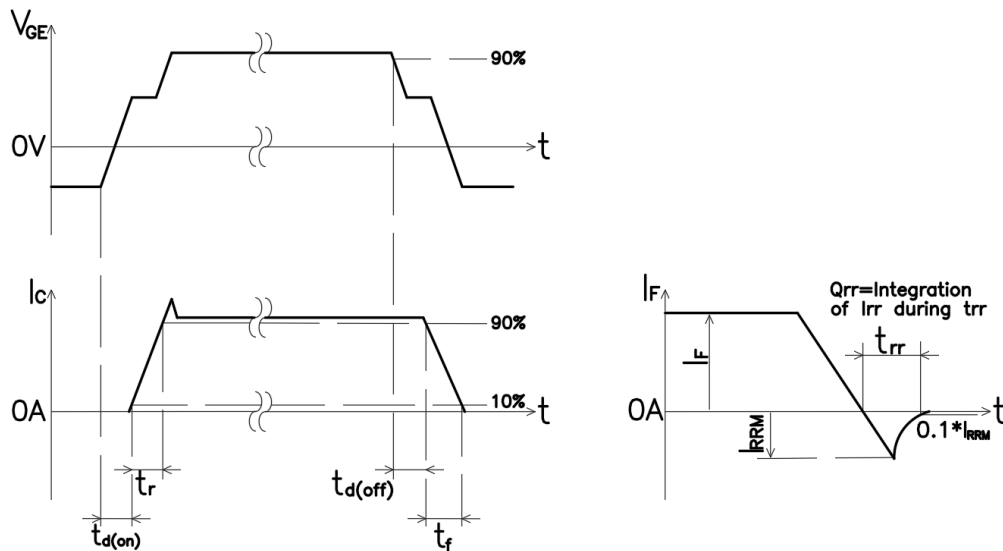


Figure 4. Switching time definition

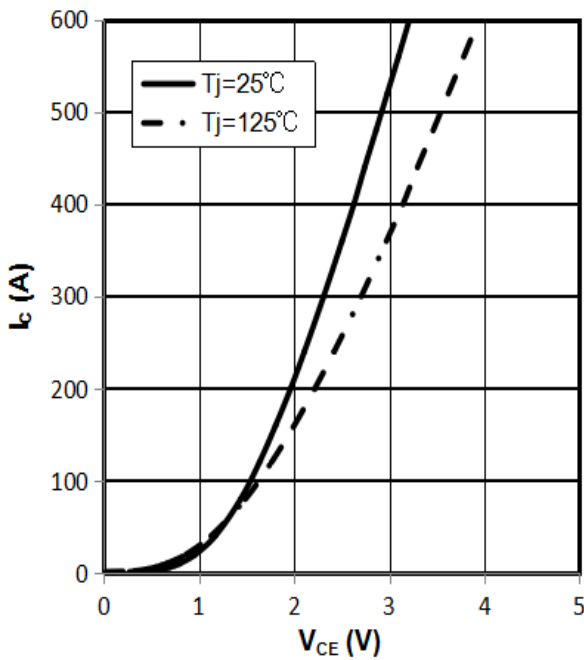


Figure 5.  $I_c$  vs  $V_{CE}$   
 $V_{GE} = 15\text{V}$

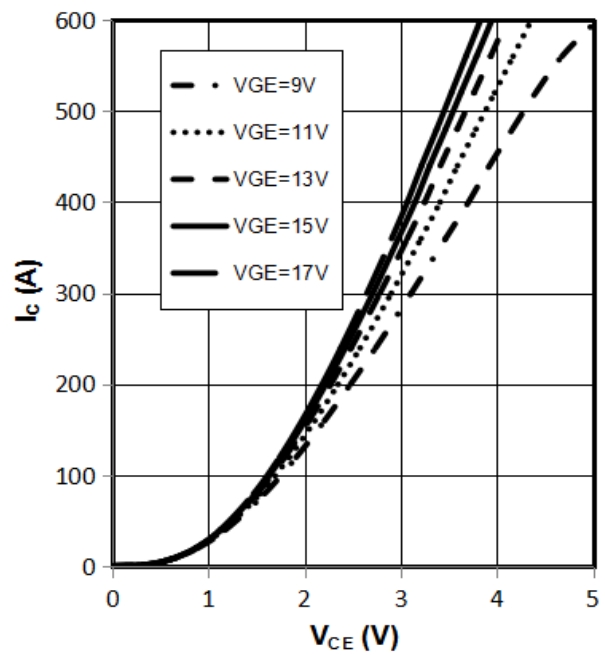


Figure 6.  $I_c$  vs  $V_{CE}$   
 $T_j = 125^\circ\text{C}$

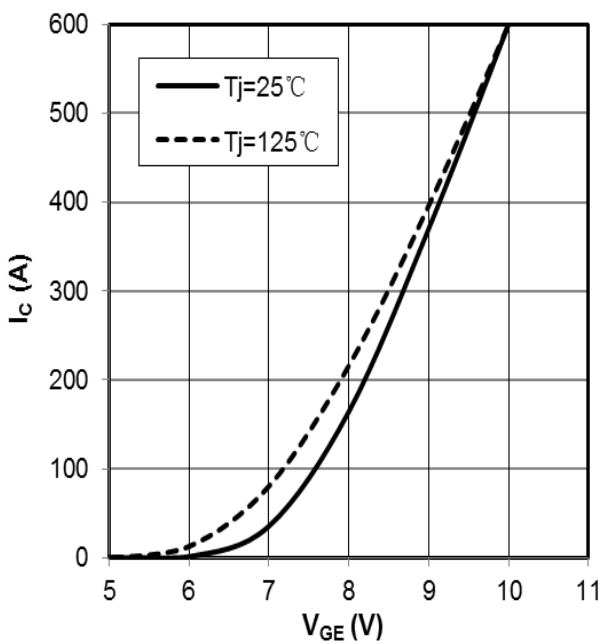


Figure 7.  $I_c$  vs  $V_{GE}$   
 $V_{CE} = 20\text{V}$

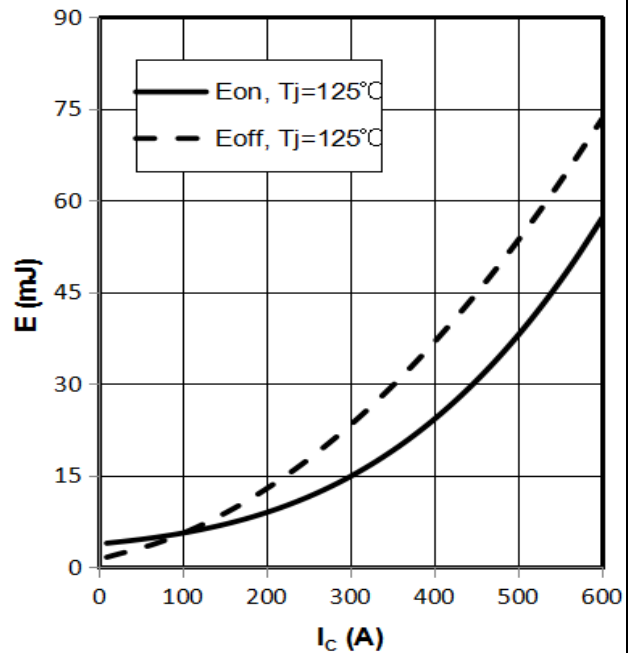


Figure 8.  $E_{on}$ ,  $E_{off}$  vs  $I_c$  (Typ)  
 $V_{CC} = 600\text{V}$ ,  $V_{GE} = +15\text{V}/-15\text{V}$ ,  $R_G = 3.3\Omega$

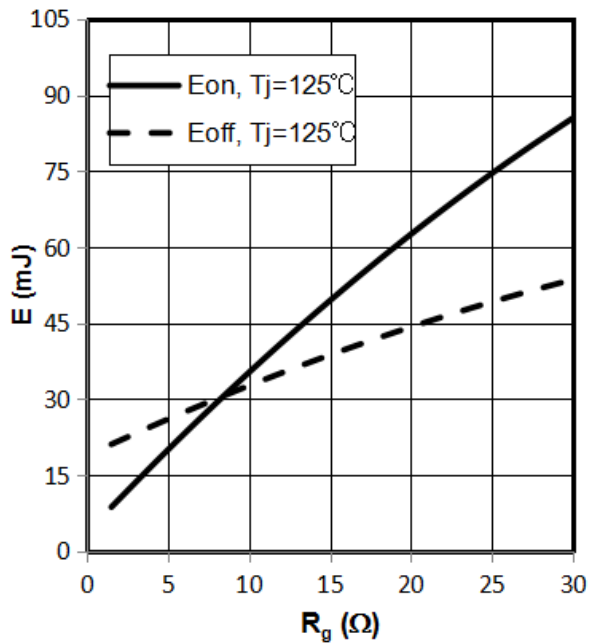


Figure 9.  $E_{on}$ ,  $E_{off}$  vs  $R_g$ (Typ)  
 $V_{CC}=600V$ ,  $V_{GE}=+15V/-15V$ ,  $I_C=300A$

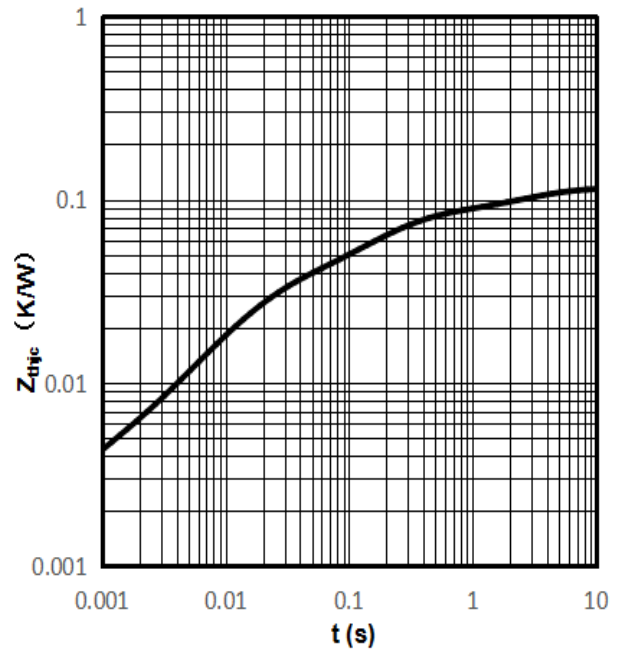


Figure 10. Transient thermal impedance IGBT ,  
 $Z_{thjc}=f(t)$

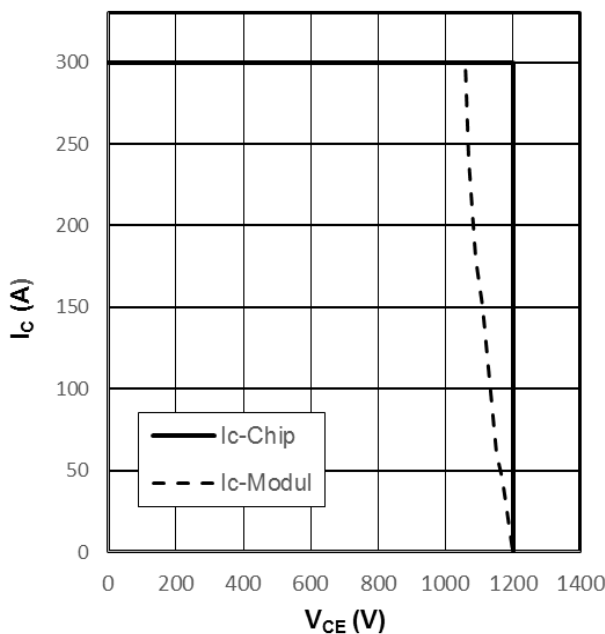


Figure 11. Reverse bias safe operating area IGBT,  
 $I_C=f(V_{CE})$ ,  $V_{GE}=\pm 15V$ ,  $R_{Goff}=3.3\Omega$ ,  $T_{vj}=125^\circ C$

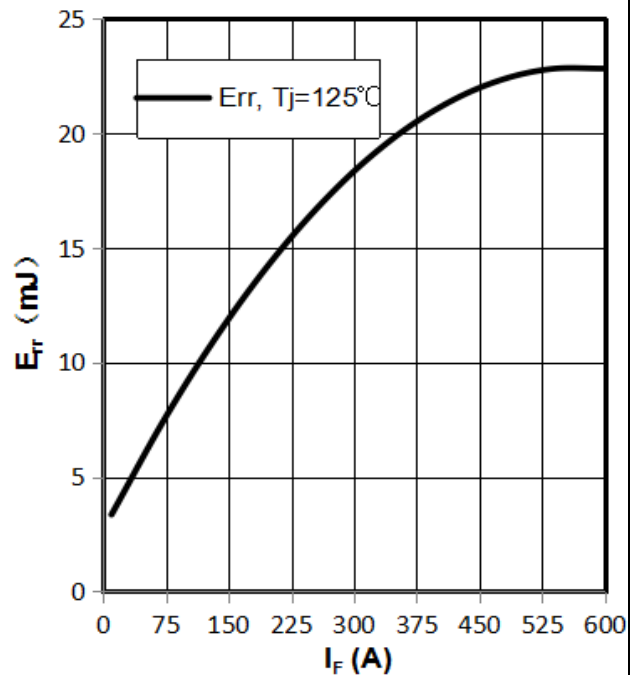


Figure 12.  $E_{rr}$  vs  $I_F$ (Typ)  
 $V_{CC}=600V$ ,  $V_{GE}=+15V/-15V$ ,  $R_G=3.3\Omega$

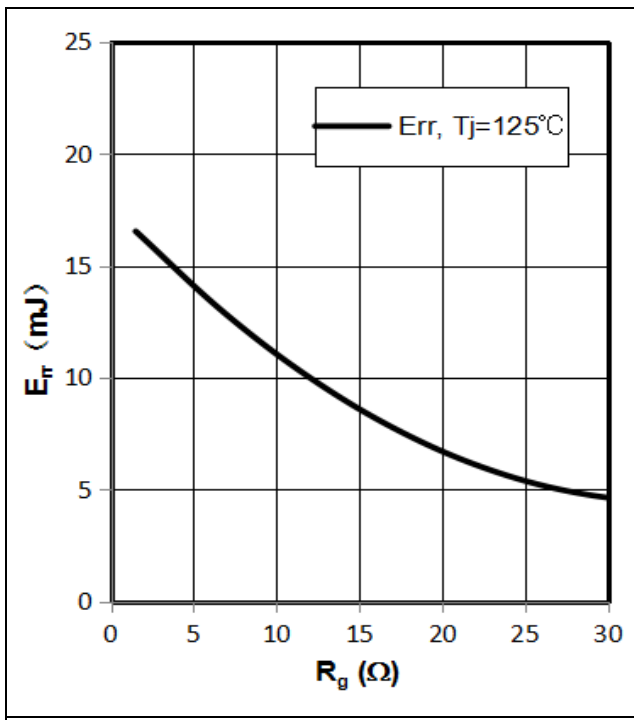


Figure 13. Err vs R<sub>G</sub>(Typ)  
 $V_{CC}=600V, V_{GE}=+15V/-15V, I_F=300A$

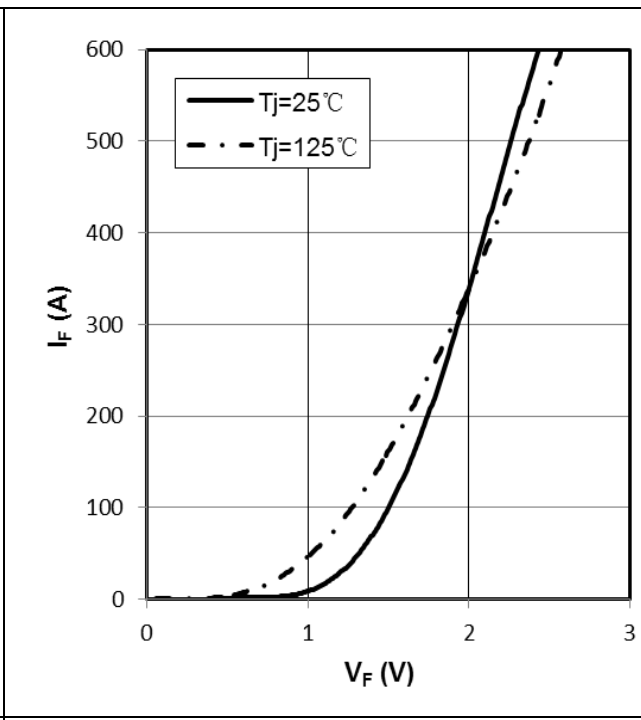


Figure 14. Forward characteristic of Diode ,  
 $I_F=f(V_F)$

### IMPORTANT NOTICE:

This product data sheet describes the characteristics of this product for which a warranty is granted. Any such warranty is granted exclusively under the terms and conditions of the supply agreement. There will be no guarantee or of any kind for the product and its characteristics.

The data contained in this document is exclusively intended for technically trained staff. You and your technical departments will have to evaluate the product's suitability for the intended application and the completeness of the product data concerning such application.

Due to technical requirements, our product may contain dangerous substances. For information on the types in question, please contact the sales staff responsible for you.

Changes to this product data sheet are reserved.

Please contact the sales staff (Sales@leapers-power.com) for further information on the product, technology, delivery terms, conditions and prices.