

Description

The DFS26HH12EYQ1 is a H Bridge SiC MOSFET Power Module. It integrates high performance SiC MOSFET chips designed for the applications such as Solar Inverter, UPS, Fuel cell-DC/DC converter, Energy storage Systems.



Features

- Blocking voltage:1200V
- 26mΩ $R_{ds(on)}$ @ $T_j = 25^\circ\text{C}$
- 50mΩ $R_{ds(on)}$ @ $T_j = 175^\circ\text{C}$
- Low thermal resistance with Si₃N₄ AMB
- Low Switching Losses
- 175°C maximum junction temperature
- Thermistor inside

Applications

- Solar Inverter
- UPS
- Fuel cell-DC/DC converter
- Energy Storage Systems

Circuit diagram

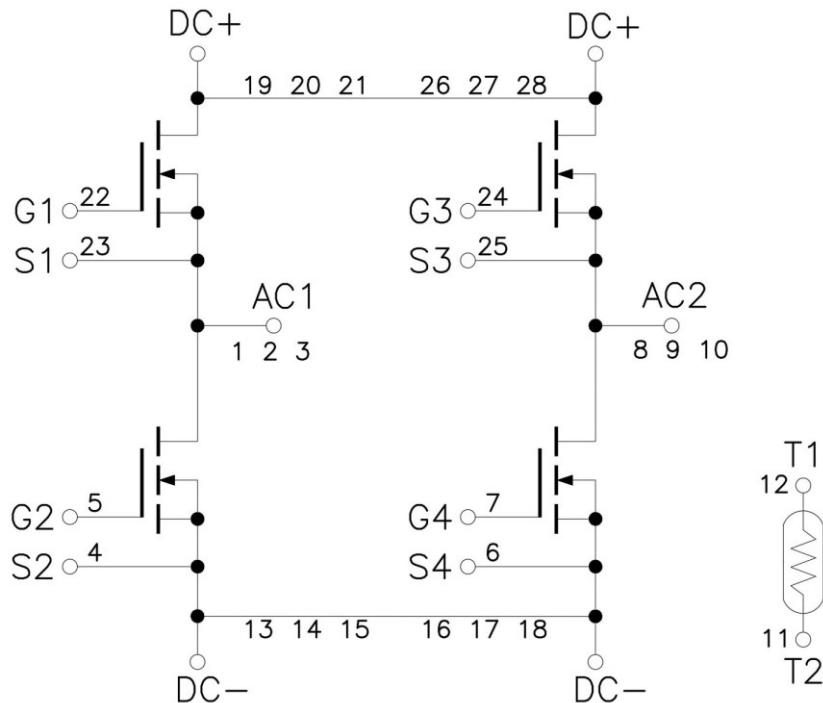


Figure 1. Out drawing & circuit diagram for DFS26HH12EYQ1

Pin Configuration and Marking Information

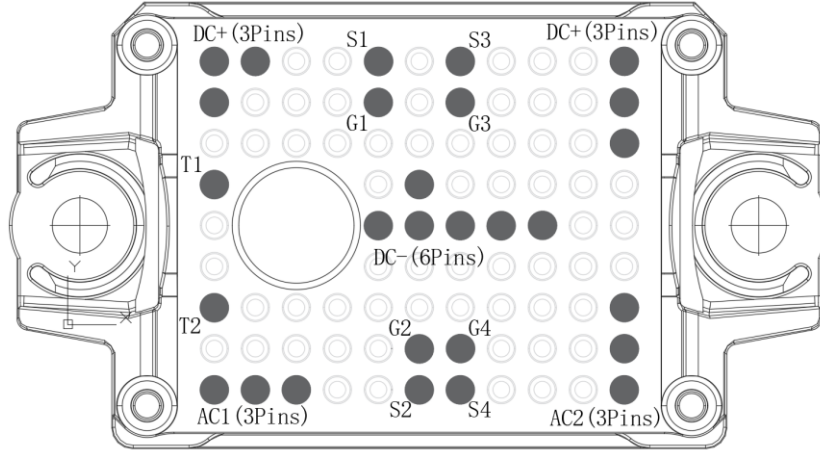


Figure 2. Pin configuration

PIN No.	Symbol	Description
1-3	AC1	Output terminal of half bridge
4	S2	Low side source signal terminal
5	G2	Low side gate signal terminal
6	S4	Low side source signal terminal
7	G4	Low side gate signal terminal
8-10	AC2	Output terminal of half bridge
11	T2	Thermistor connection 1
12	T1	Thermistor connection 2
13-18	DC-	DC – Bus connection
19-21	DC+	DC + Bus connection
22	G1	High side gate signal terminal
23	S1	High side source signal terminal
24	G3	High side gate signal terminal
25	S3	High side source signal terminal
26-28	DC+	DC + Bus connection

Module

Parameter	Conditions	Value	Unit
Isolation Voltage	RMS, f=50Hz, t=1min	3.4	kV
Clearance	Terminal to Terminal	5	mm
	Terminal to Heatsink	10	mm
Creepage distance	Terminal to Terminal	6.3	mm
	Terminal to Heatsink	12.7	mm
Comparative Tracking Index	-	600	-

Maximum Ratings (T_j=25°C unless otherwise specified)

Symbol	Parameter	Conditions	Ratings	Unit
V _{DSS}	Drain-Source Voltage	G-S Short	1200	V
V _{GSS}	Gate-Source Voltage(+)	D-S Short	20	V
V _{GSS}	Gate-Source Voltage(-)	D-S Short	-5	V
V _{GSSSurge}	G-S Voltage(t _{surge} <300nsec)	D-S Short, Note1	-10 to 25	V
I _{DS}	DC Continuous Drain Current	T _f =80°C, Note2	70	A
I _{DS}	DC Continuous Drain Current	T _f =65°C, Note2	75	A
I _{SD}	Source (Body Diode) Current	T _f =80°C, with ON signal	70	A
I _{SD}	Source (Body Diode) Current	T _f =65°C, with ON signal	75	A
I _{DP}	Drain Pulse Current, Peak	Less than 1ms, Note3	150	A
T _j	junction temperature	-	-40 to 175	°C
T _{stg}	Storage temperature	-	-40 to 125	°C

Note1: Recommended Operating Value, 20V/-5V;18V/-5V;15V/-4V

Note2: Case temperature(T_c) is defined on the surface of AMB substrate bottom just under the chips

Note3: Pulse width limited by maximum junction temperature

NTC characteristics

Symbol	Parameter	Condition	Value			Unit
			Min.	Typ.	Max.	
R ₂₅	Resistance	T _c =25°C	-	5	-	kΩ
ΔR/R	Deviation of R100	T _c =100°C, R ₁₀₀ =493Ω	5	-	5	%
P ₂₅	Power dissipation	T _c =25°C	-	-	20	mW
B _{25/50}	B-value	R ₂ =R ₂₅ exp [B _{25/50} (1/T ₂ - 1/(298,15 K))]	-	3375	-	K
B _{25/80}	B-value	R ₂ =R ₂₅ exp [B _{25/80} (1/T ₂ - 1/(298,15 K))]	-	3411	-	K
B _{25/100}	B-value	R ₂ =R ₂₅ exp [B _{25/100} (1/T ₂ - 1/(298,15 K))]	-	3433	-	K

MOSFET Electrical characteristics (T_j=25°C unless otherwise specified, chip)

Symbol	Item	Condition	Value			Unit	
			Min.	Typ.	Max		
V _{(BR)DSS}	Drain-Source Breakdown Voltage	V _{GS} =0V, I _D =3mA	1200	-	-	V	
I _{DSS}	Zero gate voltage drain Current	V _{DS} =1200V, V _{GS} =0V	-	-	240	μA	
V _{GS(th)}	Gate-Source threshold Voltage	I _D =30mA, V _{DS} =V _{GS}	2.0	2.8	4.0	V	
I _{GSS+}	Gate-Source Leakage Current	V _{GS} =20V, V _{DS} =0V, T _j =25°C	-	-	300	nA	
I _{GSS-}		V _{GS} =-5V, V _{DS} =0V, T _j =25°C	-300	-	-	nA	
R _{DS(on)} (Chip)	Static drain-source On-state resistance	I _D =75A, V _{GS} =20V	T _j =25°C	-	26	33	mΩ
			T _j =175°C	-	50	-	mΩ
V _{DS(on)} (Chip)	Static drain-source On-state Voltage	I _D =75A, V _{GS} =20V	T _j =25°C	-	2.0	2.5	V
			T _j =175°C	-	3.7	-	V
C _{iss}	Input Capacitance	V _{DS} =1000V, V _{GS} =0V, f =200kHz	-	4308	-	pF	
C _{oss}	Output Capacitance		-	186	-	pF	
C _{rss}	Reverse transfer Capacitance		-	9	-	pF	
Q _G	Total gate charge	V _{DD} =800V, I _D =75A, V _{GS} =-4/+20V	-	159	-	nC	
R _{Gint}	Internal Gate Resistance	T _j =25°C	-	1.0	-	Ω	
t _{d(on)}	Turn-on delay time	V _{DD} =600V I _D =75A V _{GS} =+15/-4V R _G =3.3Ω Inductive load switching operation	T _j =25°C	-	20	-	ns
			T _j =150°C	-	19	-	
t _r	Rise time		T _j =25°C	-	10	-	ns
			T _j =150°C	-	8	-	
t _{d(off)}	Turn-off delay time		T _j =25°C	-	27	-	ns
			T _j =150°C	-	33	-	
t _f	Fall time		T _j =25°C	-	14	-	ns
			T _j =150°C	-	14	-	
E _{on}	Turn-on power dissipation		T _j =25°C	-	0.45	-	mJ
			T _j =150°C	-	0.65	-	
E _{off}	Turn-off power dissipation	T _j =25°C	-	0.17	-	mJ	
		T _j =150°C	-	0.12	-		
R _{th(j-c)}	FET Thermal Resistance	Junction to Case/MOSFET	-	0.24	-	K/W	
R _{th(c-f)}	Contact thermal resistance	With thermal conductive grease /MOSFET	-	0.15	-	K/W	

Assumes Thermal Conductivity of grease is 2.8 W/m · K and thickness is 50um.

Body Diode Electrical characteristics (T_j=25°C unless otherwise specified, chip: Target)

Symbol	Item	Condition	Value			Unit	
			Min.	Typ.	Max.		
V _{SD}	Body Diode Forward Voltage	V _{GS} = -4V I _{SD} = 75A	T _j = 25°C	-	4.5	-	V
			T _j = 175°C	-	4.0	-	
T _{rr}	Reverse recovery time	V _{DD} = 600V I _D = 75A	T _j = 25°C	-	26	-	ns
			T _j = 150°C	-	27	-	
Q _{rr}	Reverse recovery charge	V _{GS} = +15/-4V R _G = 3.3Ω	T _j = 25°C	-	1.0	-	μC
			T _j = 150°C	-	2.69	-	
E _{rr}	Diode switching power dissipation	Inductive load switching operation	T _j = 25°C	-	0.51	-	mJ
			T _j = 150°C	-	1.47	-	

Test Conditions

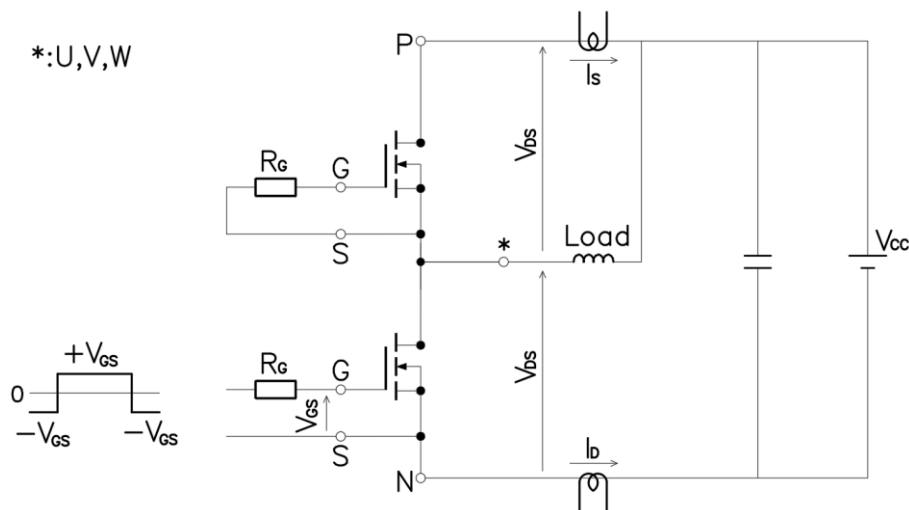


Figure 3. Switching time measure circuit

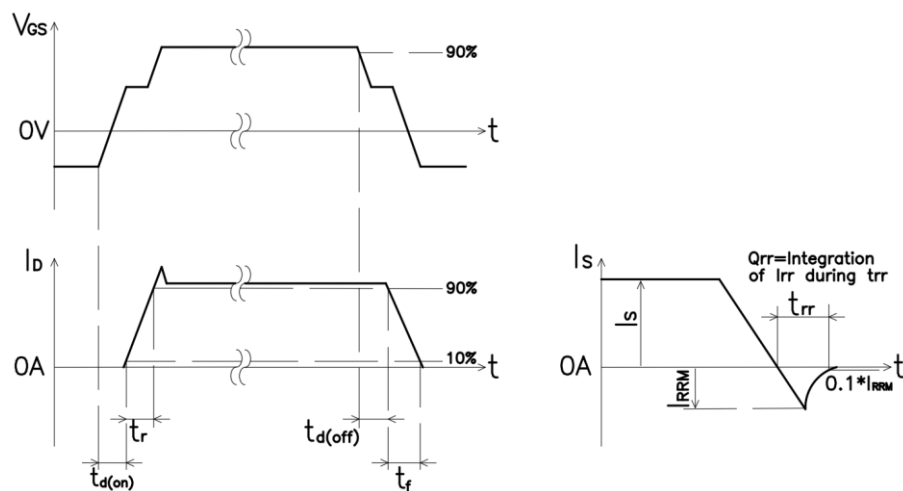


Figure 4. Switching time definition

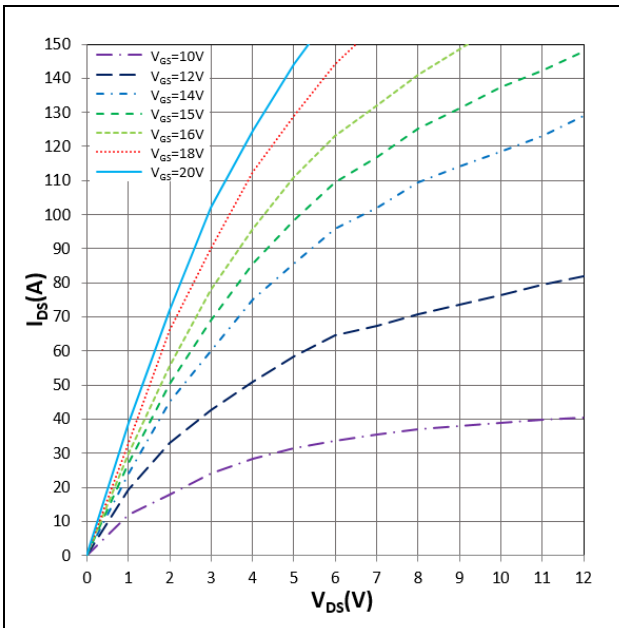


Figure 5. I_{D_S} vs V_{D_S}
 $T_j = 25^\circ\text{C}$, V_{G_S} parameter

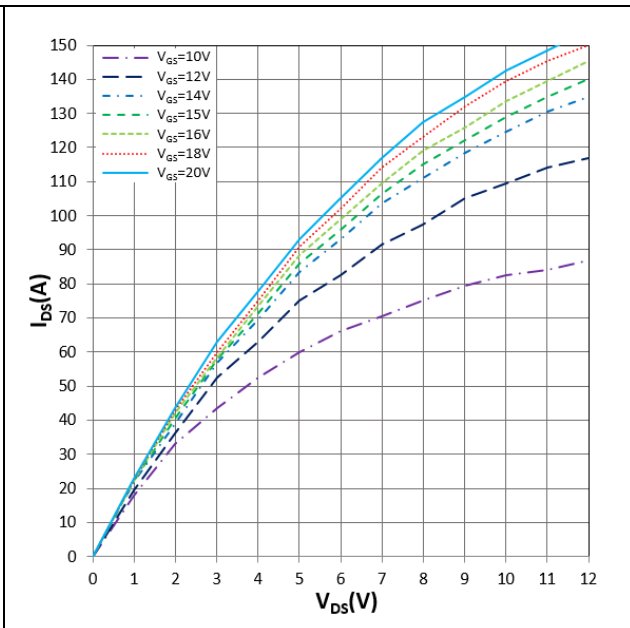


Figure 6. I_{D_S} vs V_{D_S}
 $T_j = 175^\circ\text{C}$, V_{G_S} parameter

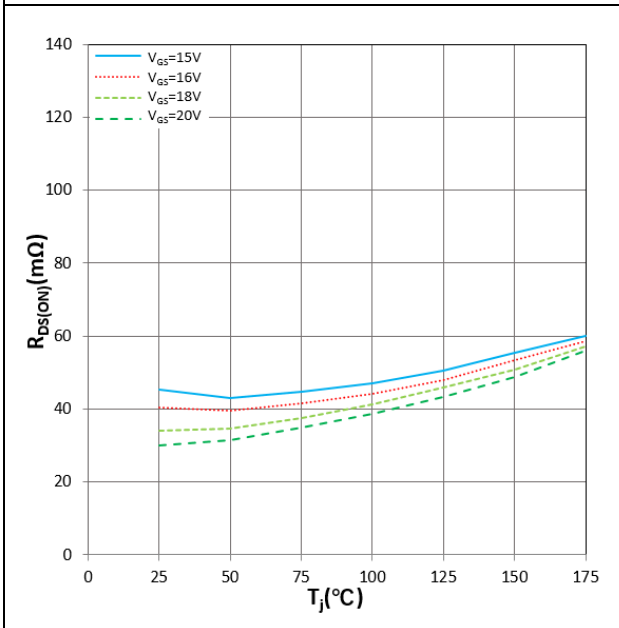


Figure 7. $R_{D_S(ON)}$ vs T_j
 $I_D = 75\text{A}$

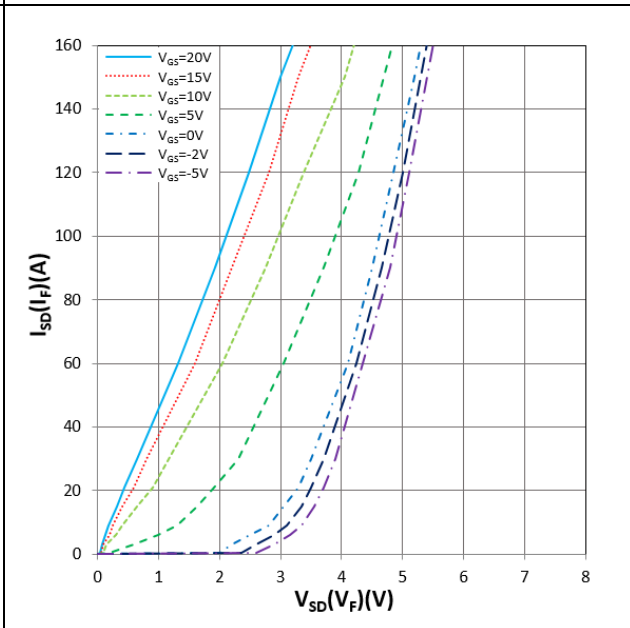


Figure 8. $I_{S_D(I_F)}$ vs $V_{S_D(V_F)}$
 $T_j = 25^\circ\text{C}$, V_{G_S} parameter

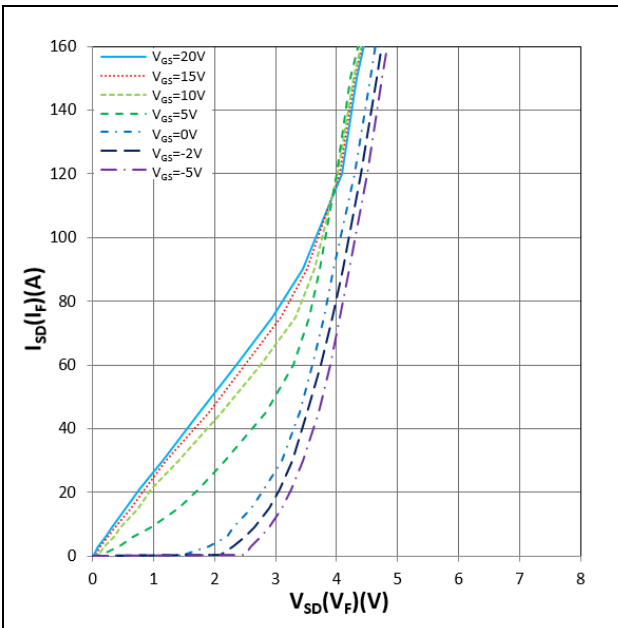


Figure 9. $I_{SD}(I_F)$ vs $V_{SD}(V_F)$
 $T_j = 175^\circ\text{C}$, V_{GS} parameter

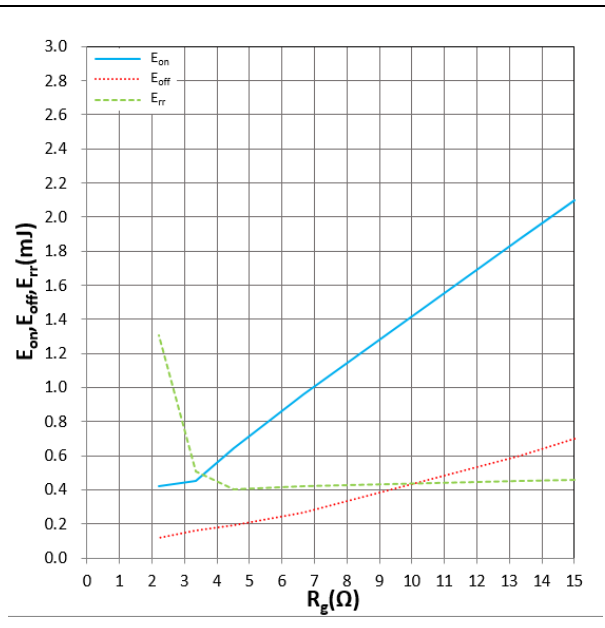


Figure 10. E_{on} , E_{off} , E_{rr} vs R_G
 $T_j = 25^\circ\text{C}$, $I_D = 75\text{A}$, $V_{GS} = +15/-4\text{V}$

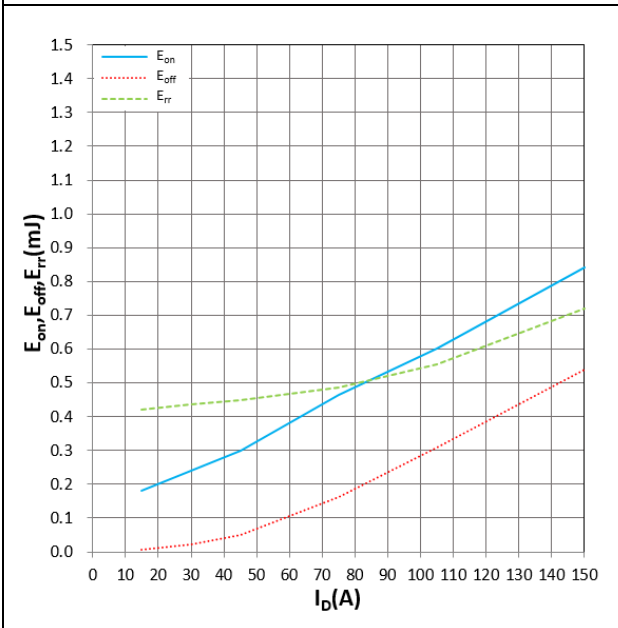


Figure 11. E_{on} , E_{off} , E_{rr} vs I_D
 $T_j = 25^\circ\text{C}$, $R_G = 3.3\Omega$, $V_{GS} = +15/-4\text{V}$

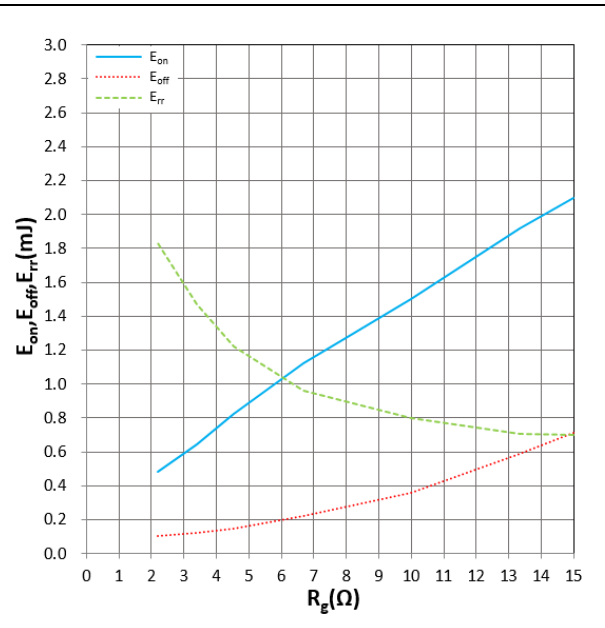


Figure 12. E_{on} , E_{off} , E_{rr} vs R_G
 $T_j = 150^\circ\text{C}$, $I_D = 75\text{A}$, $V_{GS} = +15/-4\text{V}$

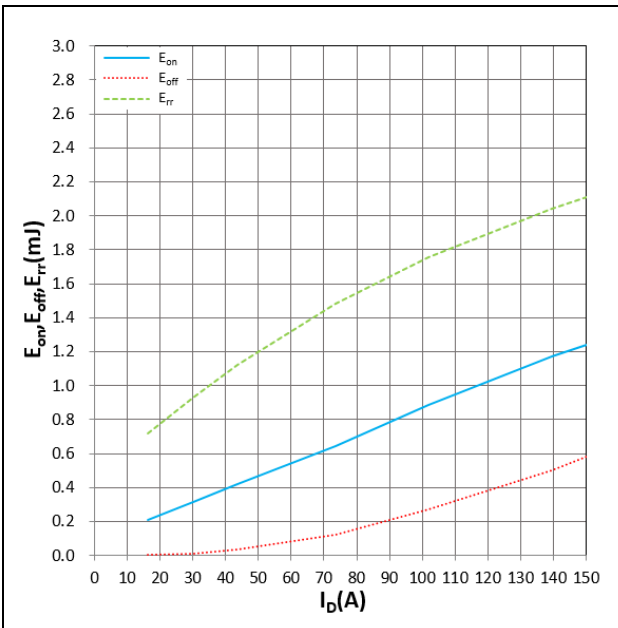


Figure 13. E_{on} , E_{off} , E_{rr} vs I_D
 $T_j = 150^\circ\text{C}$, $R_G = 3.3\Omega$, $V_{GS} = +15/-4\text{V}$

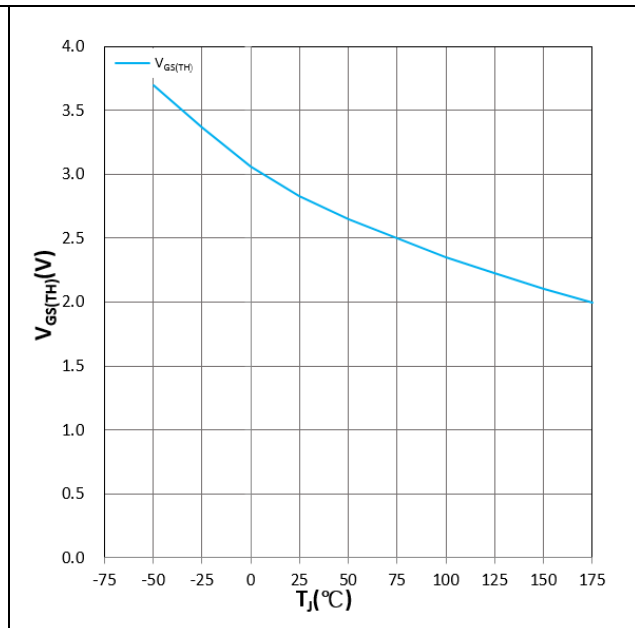


Figure 14. $V_{GS(TH)}$ vs T_j
 $V_{DS} = V_{GS}$, $I_{DS} = 10\text{mA}$

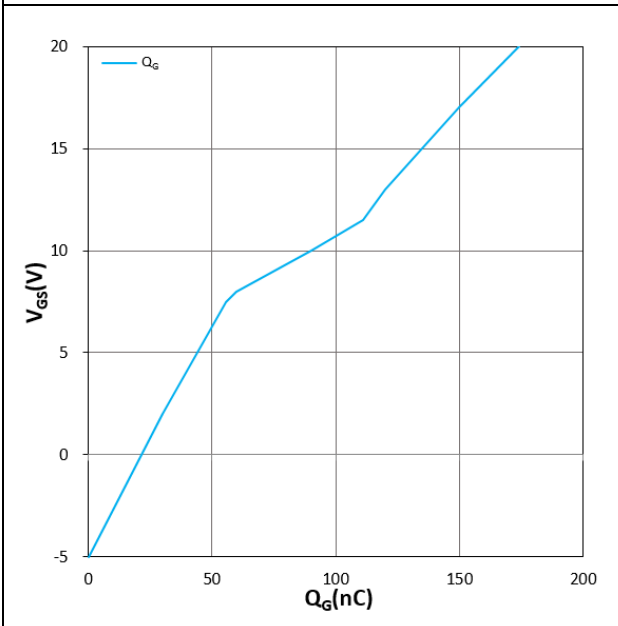


Figure 15. V_{GS} vs Q_G
 $V_{DD} = 800\text{V}$, $I_D = 75\text{A}$

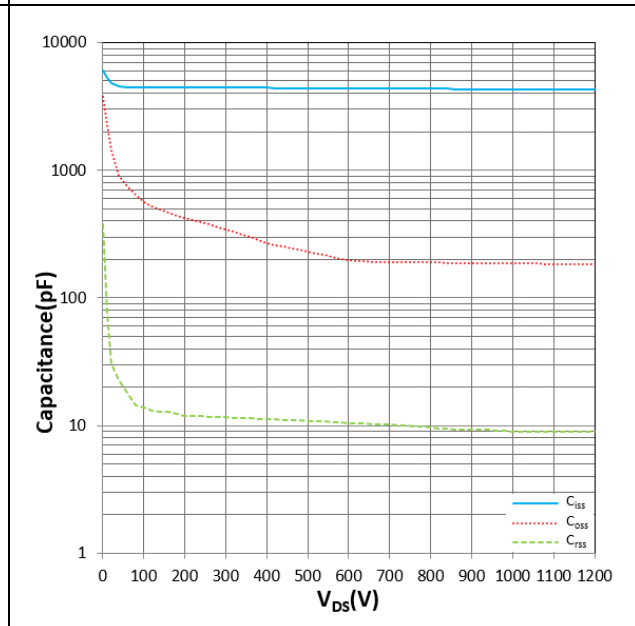
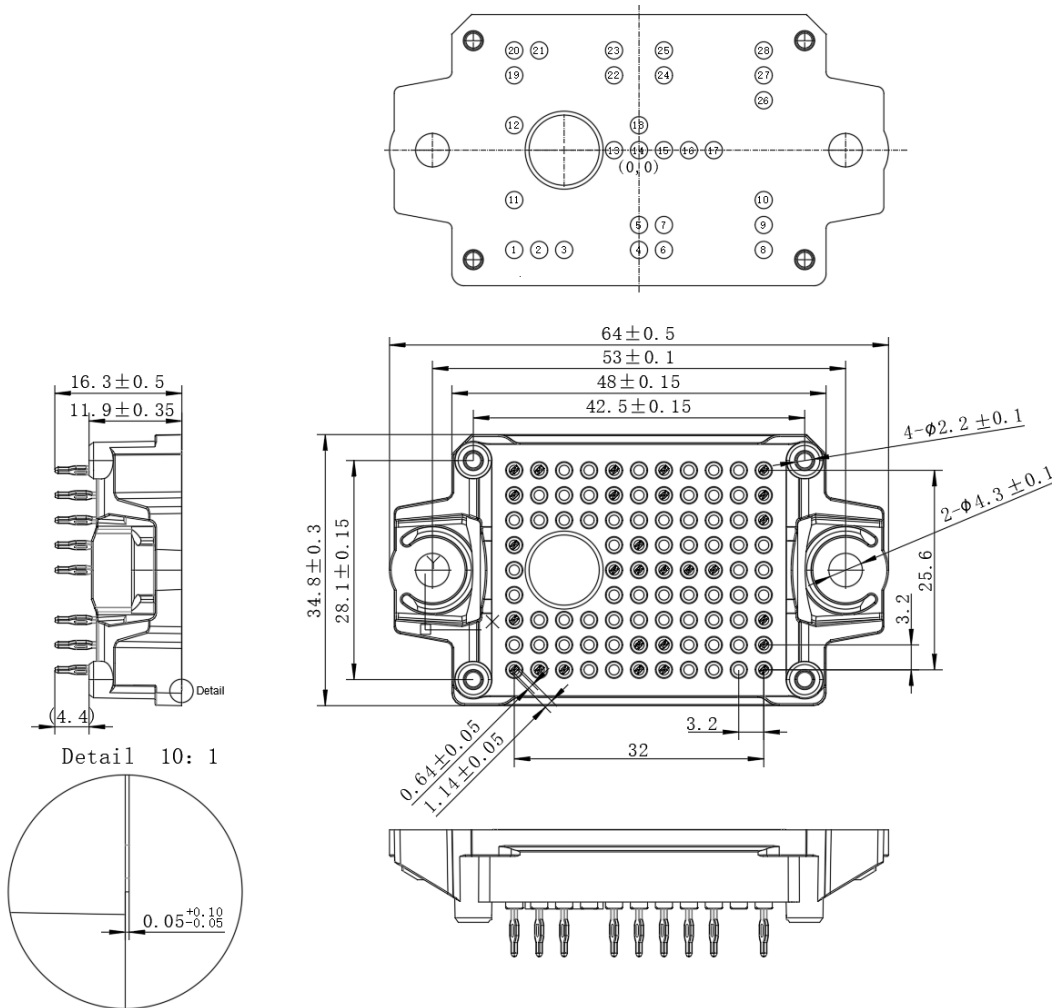


Figure 16. C_{iss} , C_{oss} , C_{rss} vs V_{DS}
 $T_j = 25^\circ\text{C}$

Package dimensions



Pin table		
Pin	X	Y
1	-16	-12.8
2	-12.8	-12.8
3	-9.6	-12.8
4	0	-12.8
5	0	-9.6
6	3.2	-12.8
7	3.2	-9.6
8	16	-12.8
9	16	-9.6
10	16	-6.4
11	-16	-6.4
12	-16	3.2
13	-3.2	0
14	0	0
15	3.2	0
16	6.4	0
17	9.6	0
18	0	3.2
19	-16	9.6
20	-16	12.8
21	-12.8	12.8
22	-3.2	9.6
23	-3.2	12.8
24	3.2	9.6
25	3.2	12.8
26	16	6.4
27	16	9.6
28	16	12.8

IMPORTANT NOTICE:

This product data sheet describes the characteristics of this product for which a warranty is granted. Any such warranty is granted exclusively under the terms and conditions of the supply agreement. There will be no guarantee or of any kind for the product and its characteristics.

The data contained in this document is exclusively intended for technically trained staff. You and your technical departments will have to evaluate the product's suitability for the intended application and the completeness of the product data concerning such application.

Due to technical requirements, our product may contain dangerous substances. For information on the types in question, please contact the sales staff responsible for you.

Changes to this product data sheet are reserved.

Please contact the sales staff (Sales@leapers-power.com) for further information on the product, technology, delivery terms, conditions and prices.