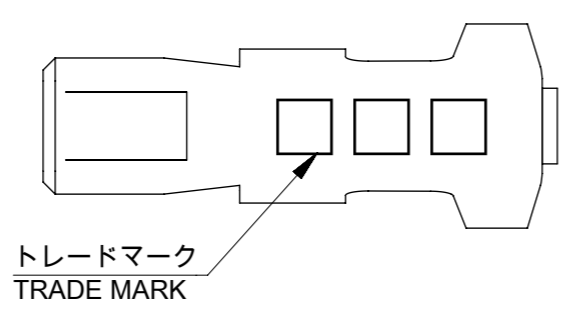
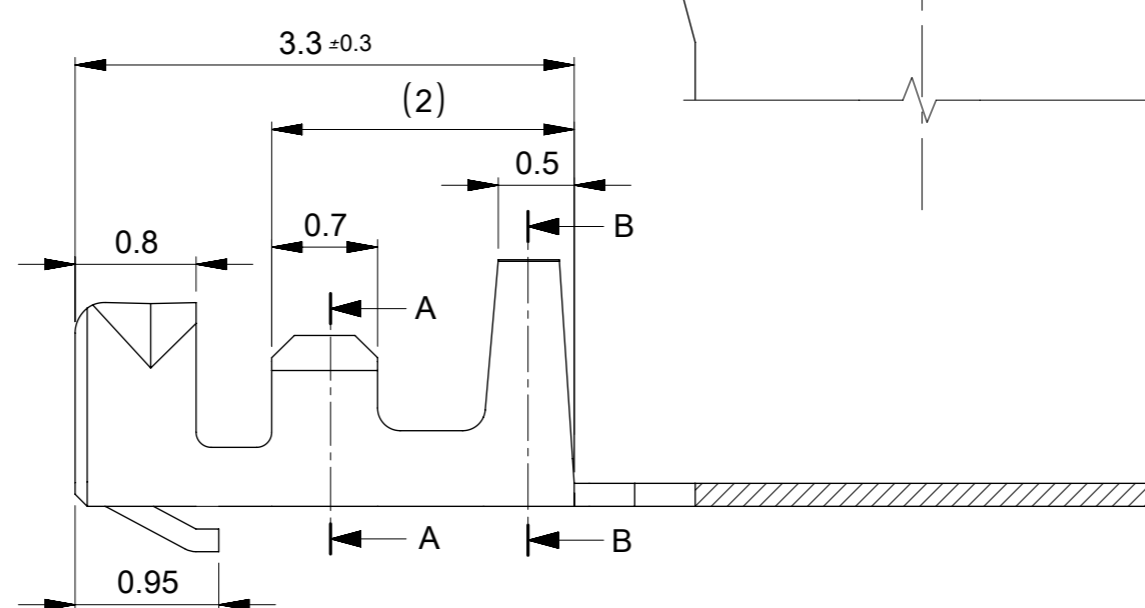
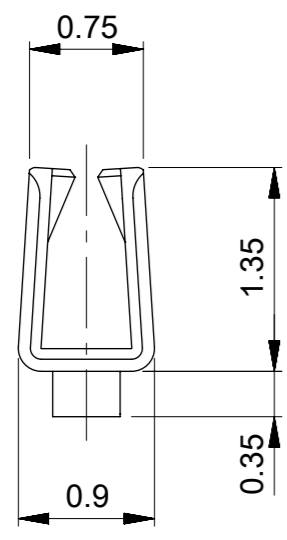


**NOTE**  
 1. 適合ハウジング : 51021-\*\*\*\*  
 APPLICABLE HOUSING: 51021-\*\*\*\*  
 2. めっき仕様 : TABLE1参照  
 PLATING: SEE TABLE1



2 TABLE1

Φ1.04 MAX.	AWG#26-28	連鎖状 CHAIN	50079-8025
被覆外径 INS. TANGE	適用電線範囲 WIRE RANGE	端子形状 FORM	オーダー番号 ORDER NO.

部品 PART	材質 MATERIAL	
ターミナル TERMINAL	りん青銅 PHOSPHOER BRONZE	
	コンタクト部 CONTACT AREA	金めっき 0.38µm MIN. GOLD PLATING 0.38µm MIN.
	下地めっき UNDER PLATING	ニッケルめっき 1.0µm MIN. NICKEL PLATING 1.0µm MIN.

THIS DRAWING CONTAINS INFORMATION THAT IS PROPRIETARY TO MOLEX ELECTRONIC TECHNOLOGIES, LLC AND SHOULD NOT BE USED WITHOUT WRITTEN PERMISSION		CURRENT REV DESC:		<b>molex</b>			
DIMENSION UNITS	SCALE	EC NO: 606801					PICOBLADE 1.25 REC. CRIMP TERMINAL
mm	20:1	DRWN: SOBARA01 2018/10/30		PRODUCT CUSTOMER DRAWING			
GENERAL TOLERANCES (UNLESS SPECIFIED)		CHK'D: AIDA 2018/10/30		DOCUMENT NUMBER			
ANGULAR TOL	± 3.0°	APPR: TKANEKO 2018/10/31		500790000-SD			
4 PLACES	± 0.2	INITIAL REVISION:		DOC TYPE	DOC PART	REVISION	
3 PLACES	± 0.2	DRWN: SOBARA01 2018/10/18		PSD	000	B	
2 PLACES	± 0.2	APPR: TKANEKO 2018/10/30		MATERIAL NUMBER			
1 PLACE	± 0.2	DRAFT WHERE APPLICABLE MUST REMAIN WITHIN DIMENSIONS		CUSTOMER			
0 PLACES	± 0.2	THIRD ANGLE PROJECTION	DRAWING	SERIES	SHEET NUMBER		
			A3-SIZE	50079	SEE CHART	GENERAL	1 OF 1