

MATERIALS AND FINISHES

SMA JACK STR BKHD RM
 BODY: BRASS
 PLATED GOLD

CENTER CONTACT: PHOSPHOR BRONZE
 PLATED GOLD

INSULATOR: PTFE

JAM NUT: BRASS
 PLATED GOLD
 PACKAGE :PE BAG 15*18*0.08

LOCK WASHER: SPCC
 PLATED GOLD
 PACKAGE :PE BAG 15*18*0.08

MCRF CONNECTOR

BODY: PHOSPHOR BRONZE
 PLATED GOLD

INSULATOR: PBT

CONTACT: PHOSPHOR BRONZE
 PLATED GOLD

CABLE: DIA 1.13 COLOR GRAY
 OR EQUIVALENT

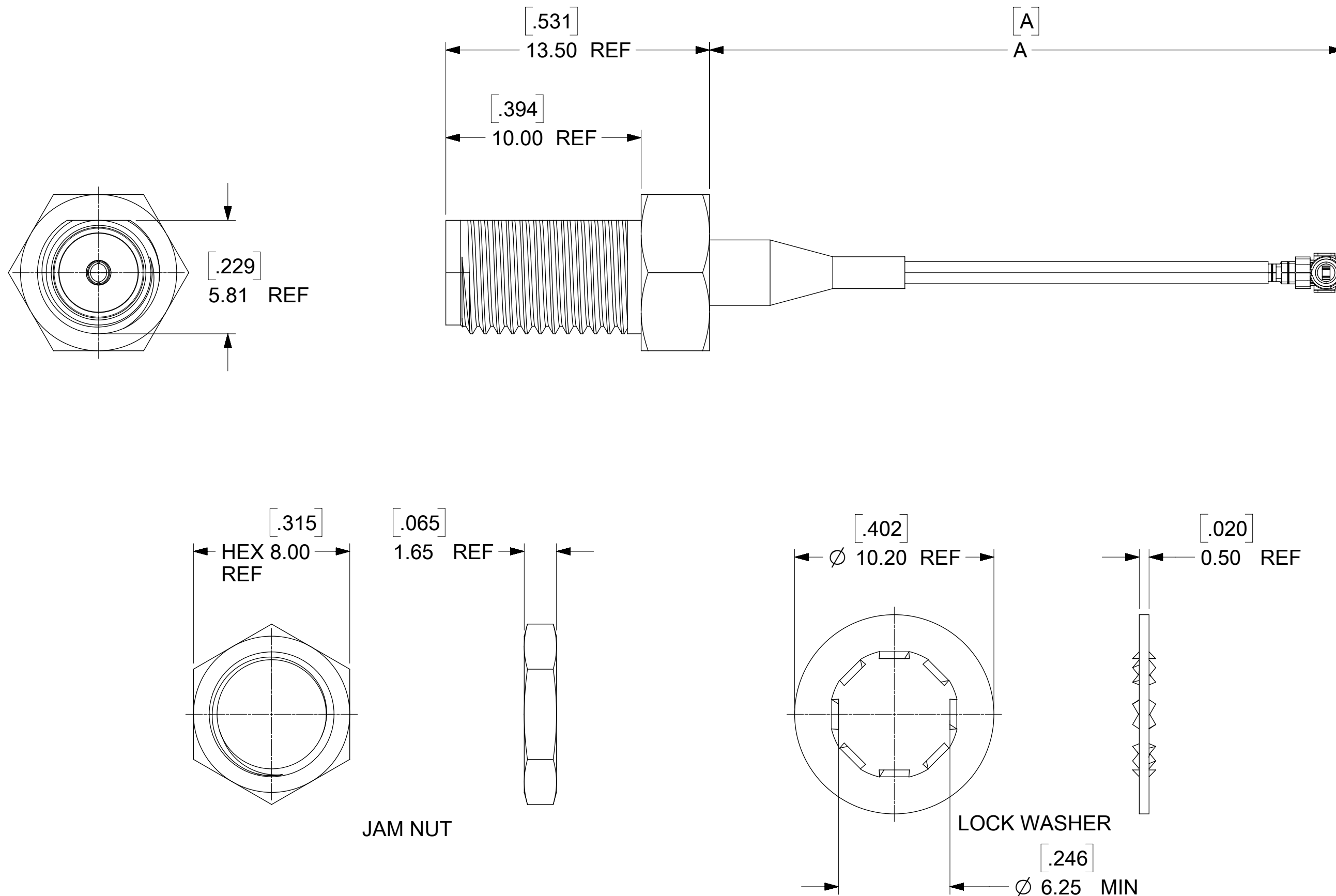
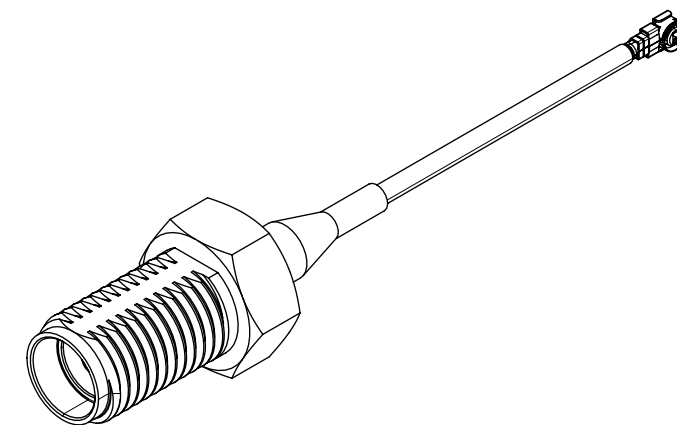
SHRINK TUBE: VERSAFIT V2
 OR EQUIVALENT

ELECTRICAL SPEC

FREQUENCY : UP TO 6 GHz
 VSWR :
 1.5 @ 0-3 GHz
 1.8 @ 3-6 GHz
 IL : SEE TABLE

OPERATION TEMPERATURE : -40°C~85°C

89762-9528/-9529 PACKAGING BY BAG, REFER TO 895420302



89762-9529	12.205±.197	310.00±5.00	BAG	3.00 dB
89762-9528	8.268±.197	210.00±5.00	BAG	2.00 dB
89762-9527	7.087±.197	180.00±5.00	BAG	1.80 dB
89762-9526	6.693±.197	170.00±5.00	BAG	1.70 dB
89762-9525	3.000±.197	76.20±5.00	BAG	0.76 dB
89762-9524	5.906±.197	150.00±5.00	BAG	1.50 dB
89762-9523	11.850±.197	300.00±5.00	BAG	3.00 dB
89762-9522	3.937±.197	100.00±5.00	BAG	1.00 dB
89762-9521	7.874±.197	200.00±5.00	BAG	2.00 dB
PART NO.	IN	MM	PACKAGING	IL @ 6GHz (MAX)
	DIMENSION A			

MIL-STD-348A, FIG. 310.2	SMA INTERFACE
SPECIFICATION	DESCRIPTION

THIS DRAWING CONTAINS INFORMATION THAT IS PROPRIETARY TO MOLEX ELECTRONIC TECHNOLOGIES, LLC AND SHOULD NOT BE USED WITHOUT WRITTEN PERMISSION									
DIMENSION UNITS	SCALE	CURRENT REV DESC: ADDED -9528/-9529 PER EWR # 14155-A							
INCH/MM	NTS								
GENERAL TOLERANCES (UNLESS SPECIFIED)		EC NO: 650017			PRODUCT CUSTOMER DRAWING				
ANGULAR TOL	± °	DRWN: ELIN 2020/11/06			DOCUMENT NUMBER				
4 PLACES	±	CHK'D: YCHENG 2020/12/04			897629520				
3 PLACES	±	APPR: YCHENG 2020/12/04			DOC TYPE DOC PART REVISION				
2 PLACES	±	INITIAL REVISION:			PSD 000 A3				
1 PLACE	±	DRWN: RYEH 2016/11/07			MATERIAL NUMBER CUSTOMER SHEET NUMBER				
0 PLACES	±	APPR: YCHENG 2016/11/25			SEE TABLE 1 OF 1				
DRAFT WHERE APPLICABLE MUST REMAIN WITHIN DIMENSIONS		THIRD ANGLE PROJECTION		DRAWING	SERIES				
				C-SIZE	89762				