

6

5

4

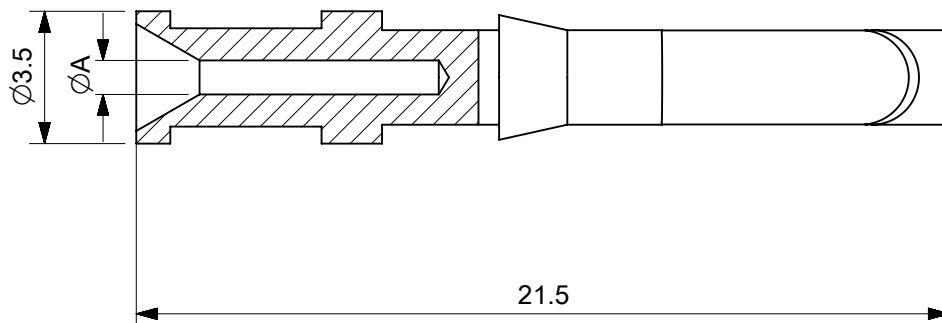
3

2

1

D

D



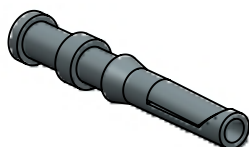
C

C

B

B

SCALE 2:1



A

A

SAP.No.	Eng.No.	Material Plating	ØA [mm]	Wire [mm ²]	AWG	Stripping length [mm]	Molex Hand Crimp Tool
936010039	7100.4201.0	Silver plated	0.9	0.14±0.37	26±22	8	936050073 8500.7925.0 or 936050076 8500.7930.0
936010041	7100.4202.0		1.1	0.5	20		
936010043	7100.4203.0		1.3	0.75	18		
936010045	7100.4204.0		1.45	1.0	18		
936010047	7100.4205.0		1.75	1.5	16		
936010049	7100.4206.0		2.25	2.5	14		
936010040	7100.4201.1	Gold plated	0.9	0.14±0.37	26±22	8	936050065 8500.6251.0
936010042	7100.4202.1		1.1	0.5	20		
936010044	7100.4203.1		1.3	0.75	18		
936010046	7100.4204.1		1.45	1.0	18		
936010048	7100.4205.1		1.75	1.5	16		
936010050	7100.4206.1		2.25	2.5	14		

THIS DRAWING CONTAINS INFORMATION THAT IS PROPRIETARY TO MOLEX ELECTRONIC TECHNOLOGIES, LLC AND SHOULD NOT BE USED WITHOUT WRITTEN PERMISSION										
SYMBOLS		DIMENSION UNITS		SCALE		CURRENT REV DESC:				
∇ = 0	mm	5:1	EC NO: 601258							
∇ = 0	GENERAL TOLERANCES (UNLESS SPECIFIED)		DRWN: AKHEMIRI 2018/07/04							
∇ = 0	ANGULAR TOL ± °		CHK'D: DMERONI 2018/07/10							
∇ = 0	4 PLACES	±	APPR: AMELZI 2018/09/12							
∇ = 0	3 PLACES	±	INITIAL REVISION:							
∇ = 0	2 PLACES	±	DRWN: AKHEMIRI 2018/07/04							
∇ = 0	1 PLACE	±	APPR: AMELZI 2018/09/12							
∇ = 0	0 PLACES	±	DRAFT WHERE APPLICABLE MUST REMAIN WITHIN DIMENSIONS		FIRST ANGLE PROJECTION	DRAWING	SERIES	MATERIAL NUMBER	CUSTOMER	SHEET NUMBER
∇ = 0						A4-SIZE	93601	936010039	PSD	000
DOCUMENT STATUS		P1	RELEASE DATE	2018/09/12	13:36:54	SEE TABLE		GENERAL MARKET		1 OF 1

6

5

4

3

2

1