



Specifications

Product Name:	GU10 Spotlight
Part No.:	NS-GU10-H3
Date:	2012-11-16
Version	V1.0

Foshan NationStar Optoelectronics Co., Ltd.		
LED Lighting Branch		
DRAFT	CHECK	CONFIRM



NS-GU10-H3

1. Product Features:

1. Environmental friendly, no Pb or Hg
2. No stroboflash, no UV and IR
3. Light source is high power LED with high luminous efficiency.
4. Optimized reflection lens with higher efficiency of the lamps
5. High thermal insulation ceramic materials, safe and reliable.
6. Low consumption, energy saver, long lifespan, high stability and reliable
7. CCT : 3000K-6500K.
8. Standard GU10 socket.
9. In accordance with the RoHS.

2. Application

Widely used in exhibition hall, jewellery shops, hotel, shopping mall museum specialty store and other lighting area which needs soft lighting.

3. Parameters

● Electronic parameters:

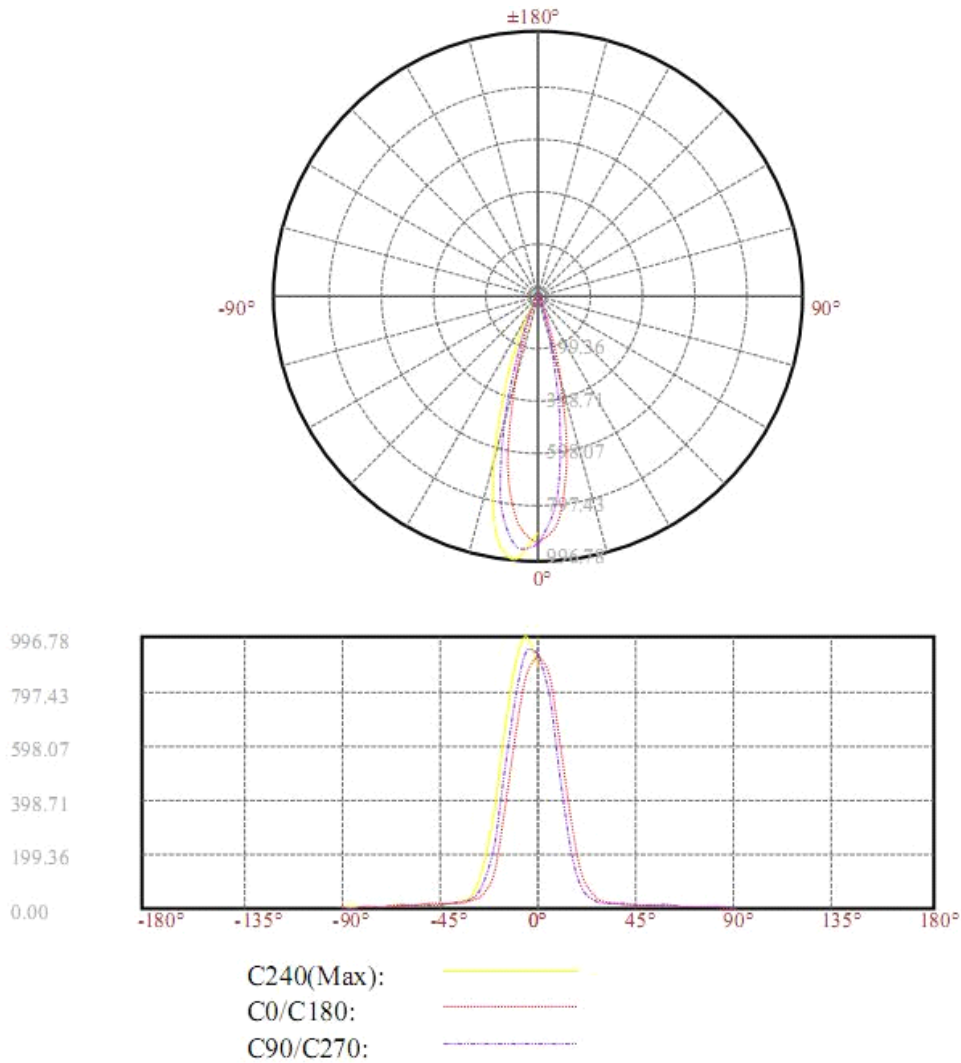
Parameter	Value	Unit
Input voltage	AC 100-240	V
Rate input	4.0	W
IFM	DC 300	mA
Power factor	0.5	/
Frequency	50/60	Hz
Illumiant	大功率 LED	-
Luminous flux	200	Lm
Color temperature	3000-6500	K
CRI	70	-
Light beam	30	degreee
Lifespan	30,000	hrs
Working temperature	-20~+40	°C
Storage temperature	-30~+60	°C
Working humidity	30%~80%	-
Storage humidity	10%~80%	-
Weight	60	g
Inner box size	55×55×60	mm
Package size	310×310×410	mm



● **Typical Electrical-optical Parameter (30°):**

Louminous flux (lm)	Color rendering Index (Ra)	AT 1M	AT 2M	AT 3M
200-250	70	950 LUX	250 LUX	100 LUX

● **Light Distribution Curve (30°):**





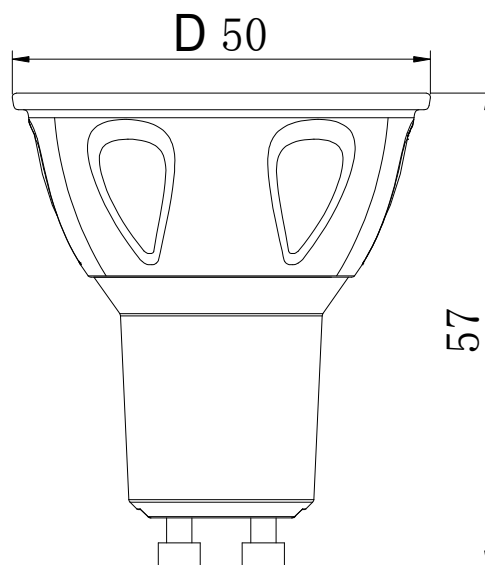
4. Optional Parameter

Cold White (CW): 6000K-6500K, viewing angel 30°

Nertural White (NW): 4000K-4500K, viewing angel 30°

Warm White (WW): 3000K-3500K, viewing angel 30°

5. Dimensions and size

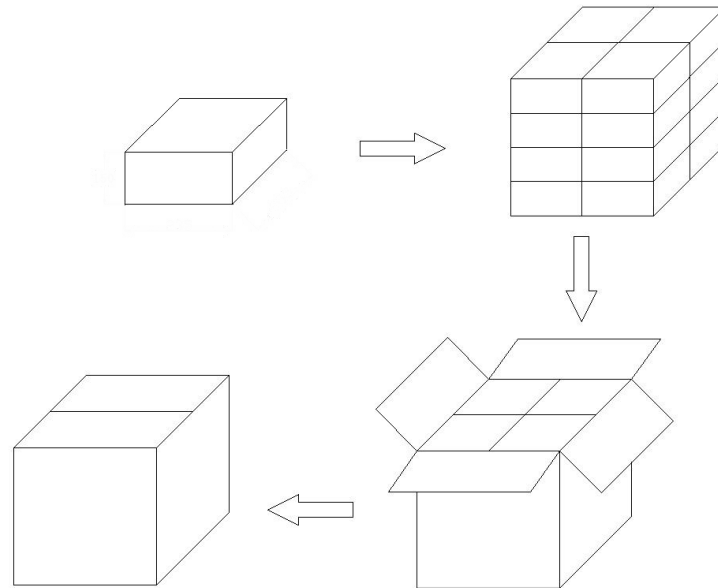


6. Product Picture





7. Package



Color box package with paper tray inside

Inner box dimension: 55mm×55mm×60mm

Outer carton dimension: 310mm×310mm×410mm (150 pcs total)

8. Warning and Liability

- The information contained herein is presented only as a guide for the applications of our products.
 - No responsibility is assumed by NationStar for any infringements of intellectual property or other infringements of the rights of third parties that may result from its use
 - NationStar is committed to a process of continuous improvements of the quality and features of its products and reserves the right to make changes that result in such improvements.
 - NationStar products are not intended for use in applications where extraordinarily high reliability is required to prevent the loss of human life or where failure could result in bodily injury.
 - NationStar limits the extent of our liability to the failure product and will replace a failed component or refund the purchase price at NationStar option.
 - The parameter above are for reference only, detailed figure are subject to the product.
 - NationStar keeps the right to modify the content of specification without giving notice to customers.
- We apologize for any inconvenience caused.