

# ALUMINUM ELECTROLYTIC CAPACITORS

## UCD Chip Type, Low Impedance



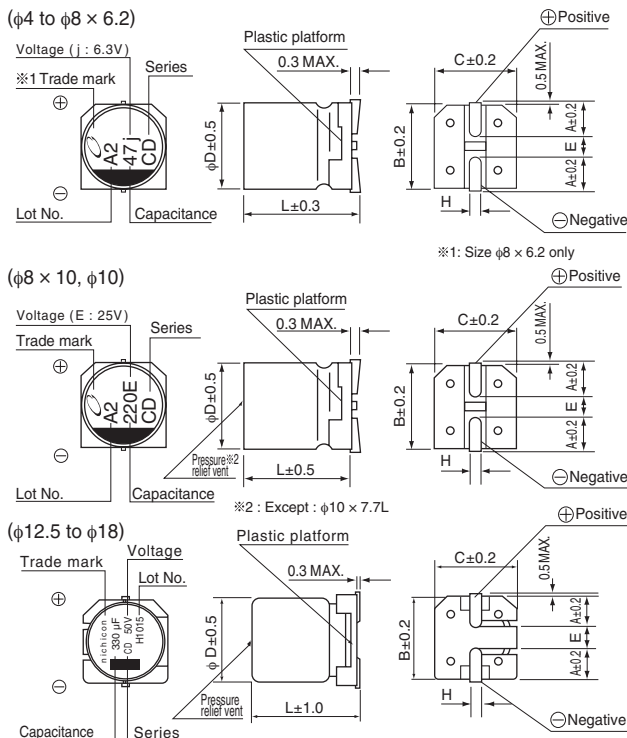
- Chip type, low impedance temperature range up to +105°C.
- Designed for surface mounting on high density PC board.
- Applicable to automatic mounting machine fed with carrier tape.
- Compliant to the RoHS directive (2011/65/EU, (EU)2015/863).
- AEC-Q200 compliant. Please contact us for details.



### Specifications

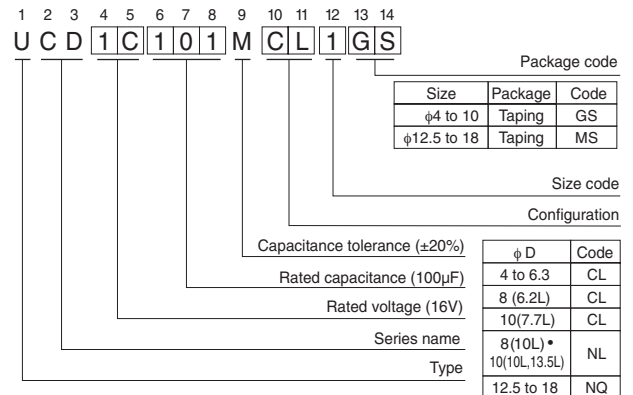
Item	Performance Characteristics										
Category Temperature Range	- 55 to +105°C										
Rated Voltage Range	6.3 to 100V										
Rated Capacitance Range	1 to 3300μF										
Capacitance Tolerance	±20% at 120Hz, 20°C										
Leakage Current	After 2 minutes' application of rated voltage at 20°C, leakage current is not more than 0.01 CV or 3 (μA), whichever is greater.										
Tangent of loss angle (tan δ)	Measurement frequency : 120Hz at 20°C										
	Rated voltage (V)	6.3	10	16	25	35	50	63	80	100	
	tan δ (MAX.)	0.26	0.19	0.16	0.14	0.12	0.10	0.08	0.08	0.07	
For capacitance of more than 1000μF, add 0.02 for every increase of 1000μF. (φ12.5 to φ18)											
Stability at Low Temperature	Measurement frequency : 120Hz										
	Rated voltage (V)	6.3	10	16	25	35	50	63	80	100	
	Impedance ratio (MAX.)	Z-25°C / Z+20°C	2	2	2	2	2	2	2	2	2
		Z-40°C / Z+20°C	3	3	3	3	3	3	3	3	3
Z-55°C / Z+20°C		4	4	4	3	3	3	3	3	3	
Endurance	The specifications listed at right shall be met when the capacitors are restored to 20°C after the rated voltage is applied for 5000 hours (2000 hours for L < 10 mm: 50V or less, and for L ≤ 10mm: 63V or more) at 105°C.										
	Capacitance Change	Within ± 30% of the initial capacitance value									
	tan δ	200% or less than the initial specified value 300% or less than the initial specified value for 63V or more									
Shelf Life	After storing the capacitors under no load at 105°C for 1000 hours and then performing voltage treatment based on JIS C 5101-4 clause 4.1 at 20°C, they shall meet the specified values for the endurance characteristics listed above.										
	Capacitance Change	Within ± 10% of the initial capacitance value									
	tan δ	Less than or equal to the initial specified value									
Resistance to soldering heat	The capacitors are kept on a hot plate for 30 seconds, which is maintained at 250°C. The capacitors shall meet the characteristic requirements listed at right when they are removed from the plate and restored to 20°C.										
	Capacitance Change	Within ± 10% of the initial capacitance value									
	Leakage current	Less than or equal to the initial specified value									
Marking	Black print on the case top.										

### Chip Type



※φ8 × 10L, φ10 × 10L, φ12.5 × 13.5L, φ16 × 16.5L, φ18 × 16.5L : The vibration structure-resistant product is also available upon request, please ask for details.

### Type numbering system (Example : 16V 100μF)



φD × L	4 × 5.8	5 × 5.8	6.3 × 5.8	6.3 × 7.7	8 × 6.2	8 × 10	10 × 7.7	10 × 10	(mm)
A	1.8	2.1	2.4	2.4	3.3	2.9	3.2	3.2	
B	4.3	5.3	6.6	6.6	8.3	8.3	10.3	10.3	
C	4.3	5.3	6.6	6.6	8.3	8.3	10.3	10.3	
E	1.0	1.3	2.2	2.2	2.3	3.1	4.5	4.5	
L	5.8	5.8	5.8	7.7	6.2	10	7.7	10	
H	0.5 to 0.8	0.5 to 0.8	0.5 to 0.8	0.5 to 0.8	0.5 to 0.8	0.8 to 1.1	0.8 to 1.1	0.8 to 1.1	

φD × L	10 × 13.5	12.5 × 13.5	16 × 16.5	18 × 16.5
A	3.2	4.8	5.4	6.4
B	10.3	13.6	17.1	19.1
C	10.3	13.6	17.1	19.1
E	4.5	4.0	6.3	6.3
L	13.5	13.5	16.5	16.5
H	0.8 to 1.1	1.0 to 1.4	1.0 to 1.4	1.0 to 1.4

#### Voltage

V	6.3	10	16	25	35	50	63	80	100
Code	j	A	C	E	V	H	J	K	2A

• Dimension table in next page.

## UCD

### ■ Dimensions

Cap. (μF)	Code	6.3			10			16			25			35			50														
		0J			1A			1C			1E			1V			1H														
1	010																4 × 5.8	2.70	60												
2.2	2R2																4 × 5.8	2.70	60												
3.3	3R3																4 × 5.8	2.70	60												
4.7	4R7															4 × 5.8	1.35	90	4 × 5.8	2.70	60										
10	100							4 × 5.8	1.35	90	4 × 5.8	1.35	90	● 4 × 5.8	1.35	90	● 5 × 5.8	1.50	90	5 × 5.8	0.70	160	6.3 × 5.8	0.86	170						
15	150							4 × 5.8	1.35	90	5 × 5.8	0.70	160																		
22	220	4 × 5.8	1.35	90	4 × 5.8	1.35	90	● 4 × 5.8	1.35	90	5 × 5.8	0.70	160	5 × 5.8	0.70	160	5 × 5.8	0.70	160	6.3 × 5.8	0.86	170									
27	270	4 × 5.8	1.35	90	5 × 5.8	0.70	160	5 × 5.8	0.70	160	6.3 × 5.8	0.36	240																		
33	330	5 × 5.8	0.70	160	● 4 × 5.8	1.35	90	6.3 × 5.8	0.36	240	● 5 × 5.8	0.70	160	6.3 × 5.8	0.36	240	6.3 × 5.8	0.36	240	6.3 × 7.7	0.66	195	6.3 × 5.8	0.36	240	● 8 × 6.2	0.63	200			
47	470	● 4 × 5.8	1.35	90	6.3 × 5.8	0.36	240	● 5 × 5.8	0.70	160	6.3 × 5.8	0.36	240	6.3 × 5.8	0.36	240	6.3 × 5.8	0.36	240	6.3 × 7.7	0.66	195	6.3 × 5.8	0.36	240	● 8 × 6.2	0.63	200			
56	560	5 × 5.8	0.70	160	6.3 × 5.8	0.36	240	6.3 × 5.8	0.36	240	6.3 × 5.8	0.36	240	6.3 × 5.8	0.36	240															
68	680	6.3 × 5.8	0.36	240	6.3 × 5.8	0.36	240	6.3 × 5.8	0.36	240	6.3 × 5.8	0.36	240	6.3 × 5.8	0.36	240	6.3 × 7.7	0.32	290												
100	101	● 5 × 5.8	0.70	160	6.3 × 5.8	0.36	240	6.3 × 5.8	0.36	240	6.3 × 7.7	0.32	290	● 6.3 × 7.7	0.32	290	8 × 10	0.32	350	6.3 × 7.7	0.32	290	● 8 × 6.2	0.26	300	8 × 10	0.16	600	● 10 × 7.7	0.36	330
150	151	6.3 × 5.8	0.36	240	6.3 × 5.8	0.36	240	6.3 × 7.7	0.32	290	8 × 10	0.16	600	● 10 × 7.7	0.18	600	8 × 10	0.16	600	8 × 10	0.16	600	8 × 10	0.16	600	8 × 10	0.16	600	8 × 10	0.16	700
220	221	6.3 × 5.8	0.36	240	6.3 × 7.7	0.32	290	6.3 × 7.7	0.32	290	8 × 10	0.16	600	8 × 10	0.16	600	8 × 10	0.16	600	8 × 10	0.16	600	8 × 10	0.16	600	8 × 10	0.16	600	8 × 10	0.16	700
330	331	6.3 × 7.7	0.32	290	8 × 10	0.16	600	8 × 10	0.16	600	8 × 10	0.16	600	8 × 10	0.16	600	8 × 10	0.16	600	8 × 10	0.16	600	8 × 10	0.16	600	8 × 10	0.16	600	8 × 10	0.16	700
390	391																														
470	471	8 × 10	0.16	600	8 × 10	0.16	600	8 × 10	0.16	600	8 × 10	0.16	600	10 × 10	0.08	850	● 10 × 13.5	0.08	950	12.5 × 13.5	0.08	1100	16 × 16.5	0.073	1610						
680	681	8 × 10	0.16	600	10 × 10	0.08	850	10 × 10	0.08	850	10 × 13.5	0.08	950	12.5 × 13.5	0.08	1100	12.5 × 13.5	0.08	1100	16 × 16.5	0.073	1610									
1000	102	8 × 10	0.16	600	10 × 10	0.08	850	10 × 13.5	0.08	950	12.5 × 13.5	0.08	1100	16 × 16.5	0.035	1800															
1500	152	10 × 10	0.08	850	10 × 13.5	0.08	950	12.5 × 13.5	0.08	1100																					
2200	222	10 × 13.5	0.08	950	12.5 × 13.5	0.08	1100							16 × 16.5	0.035	1800															
3300	332	12.5 × 13.5	0.08	1100																											
																	Case size	Impedance	Rated ripple												
																	φD × L	(mm)													

Cap. (μF)	Code	63			80			100				
		1J			1K			2A				
3.3	3R3				5 × 5.8	5.00	25					
4.7	4R7	5 × 5.8	3.00	50	6.3 × 5.8	3.00	40					
10	100	6.3 × 5.8	1.50	80	6.3 × 7.7	2.40	60					
					● 8 × 6.2	2.40	60					
22	220	6.3 × 7.7	1.20	120	8 × 10	1.30	130	8 × 10	1.30	130		
		● 8 × 6.2	1.20	120								
33	330	8 × 10	0.65	250	8 × 10	1.30	130	10 × 10	0.70	200		
47	470	8 × 10	0.65	250	10 × 10	0.70	200	12.5 × 13.5	0.32	500		
68	680	10 × 10	0.35	400	12.5 × 13.5	0.32	500	12.5 × 13.5	0.32	500		
100	101	10 × 10	0.35	400	12.5 × 13.5	0.32	500	16 × 16.5	0.17	793		
150	151	12.5 × 13.5	0.16	800	12.5 × 13.5	0.32	500	16 × 16.5	0.17	793		
220	221	12.5 × 13.5	0.16	800				18 × 16.5	0.15	917		
330	331				16 × 16.5	0.17	793	18 × 16.5	0.15	917		
470	471	16 × 16.5	0.082	1410	18 × 16.5	0.15	917					
680	681	18 × 16.5	0.08	1690								
										Case size	Impedance	Rated ripple
										φD × L	(mm)	

Max. Impedance (Ω) at 20°C 100kHz, Rated ripple current (mA rms) at 105°C 100kHz

●: In this case, [6] will be put at 12th digit of type numbering system.

● Frequency coefficient of rated ripple current

Frequency	50Hz	120Hz	300Hz	1kHz	10kHz or more
Coefficient	0.35	0.50	0.64	0.83	1.00

● Taping specifications are given in page 23.

● Recommended land size, soldering by reflow are given in page 18, 19.

● Please refer to page 3 for the minimum order quantity.