

250V 7A 1.5mm²

Poles: 2P&3P

Pitch: 5.0mm

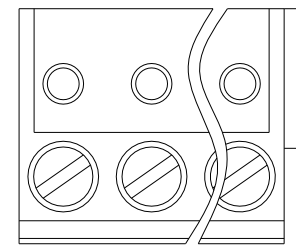
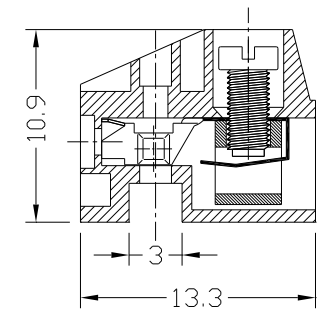
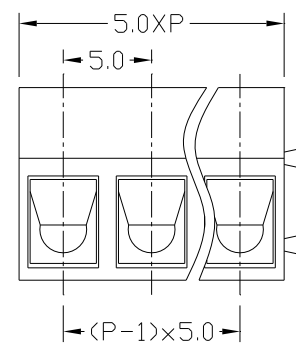
Materials

Housing: PBT(30% Glass filled)

Clamp: 0.2t,Stainless steel.

Wire Cage: Brass,Nickel Plated.

Screw: M2.6,Steel,Zinc Plated.



设计/Designed by	绘图/Drawing by	审核/Checked by	批准/Approved by	未注公差 General Tolerance	
				x. ±0.2	x.' ±2'
		图名/Title	文件编号/File No.	.x ±0.1	.x' ±1'
		XY332产品图	页序/Sheet	.xx ±0.05	.xx' ±0.5'
				备注/Remark	单位/Units: mm

