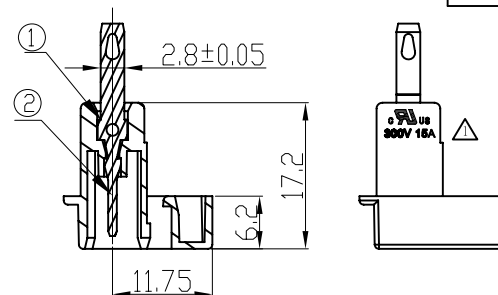
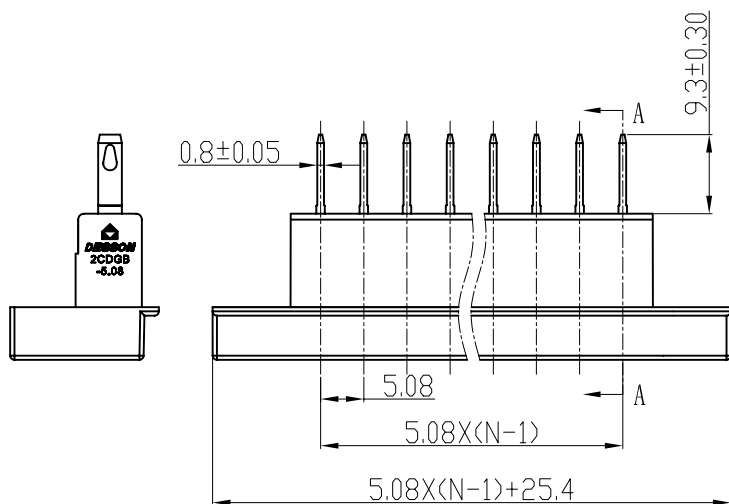


REVISION RECORD					
REV	ECN	QTY	DESCRIPTION	DRFT	DATE
T1	09-0122	△	增加UL刻字参数	Mickey	11/07/09

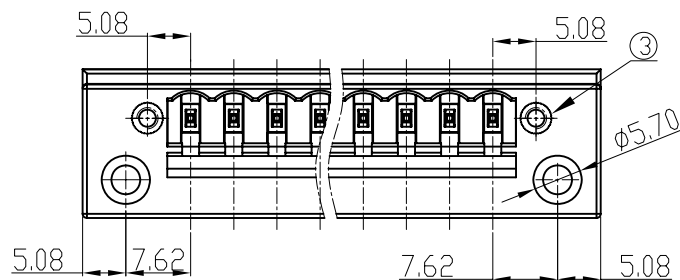
Notes:

- Pitch:5.08mm, Ploes:2-24P
- Rated voltage/current:UL 300V 15A
VDE 320V 12A
- Operation temperatures:-40°C~+105°C
- Withstanding Voltage:AC2000V/1Min
- Insulation Resistance:5000MΩ/DC1000V
- Undimensioned Tolerances:

Pitch range in mm		Nominal dimension range in mm						—
to 6	over 6 to 10	over 10 to 24	to 30	over 30 to 60	over 60 to 100	over 100 to 150	over 150	
±0.10	±0.15	±0.25	±0.2	±0.3	±0.5	±0.7	±1.0	
							0.05/10	



SECTION A-A



3	2EDG-Screw cap	S000000040	2	Brass	
2	2CDGB-5.08 PIN	1154B00010(H)	XX	Brass	SnCe
1	2CDGB-5.08 HOUSING	1154A0YXXA(H)	1	PA66	UL94V-0
ITEM	NAME OF PART	NO. OF PART	Q"TY	MATERIAL	NOTES

MM (INCH)	DFTD LIN	DATE 06/14/07*	宁波高正电子有限公司 DEGSON ELECTRONICS CO., LTD
TOLERANCES EXCEPT AS NOTED	CHKD	DATE	
	MFD	DATE	
	APPVL	DATE	
MM	MATERIAL :		NAME
.0 ±	±		2CDGB-5.08-XXP-1Y-00A(H)
.00 ±	±		DRAWING NO. 2CDGB-5.08-E01
.000 ±	±		/PART NO.
ANGLES ± 1°	G.E :		SIZE
	FINISH:		A3
THIRD ANGLE PROJECTION	SCALE :	DO NOT SCALE DRAWING	REV T1
			11/07/09*
		SHEET 1	OF 1