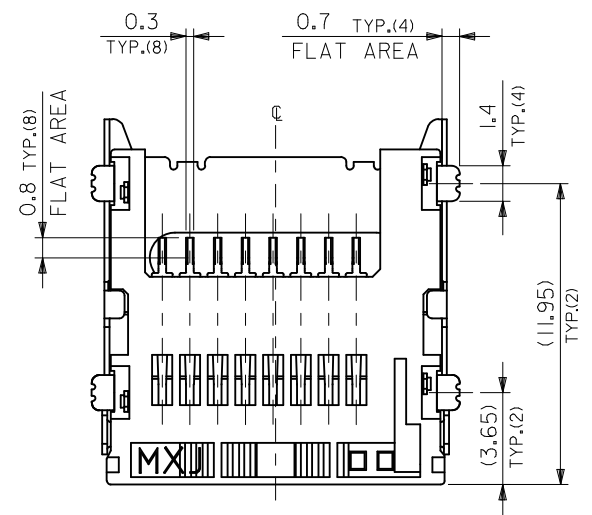
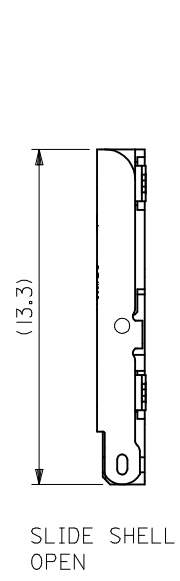
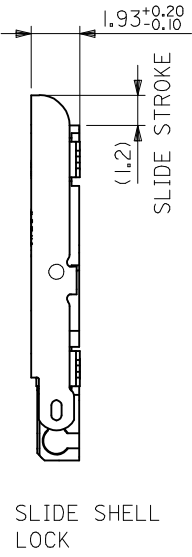
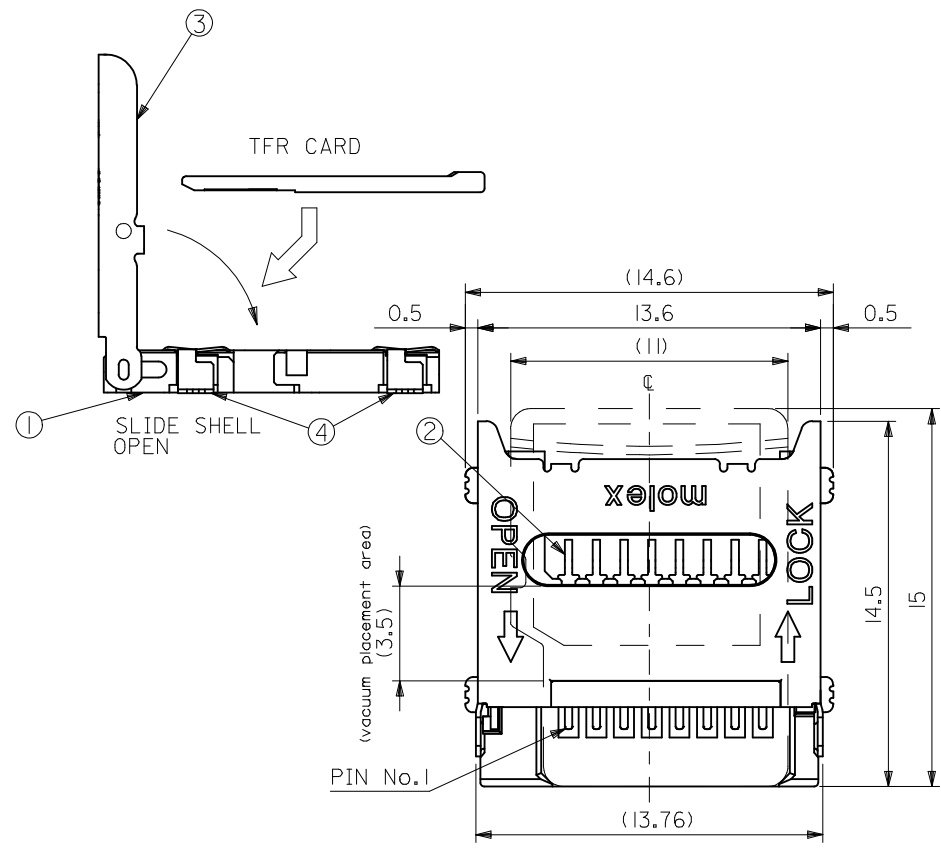


CONFIDENTIAL

NO.	PARTS DESCRIPTION	QTY	MATERIAL	FINISH
①	HOUSING	1	LIQUID CRYSTAL POLYMER (WHITE)	—
②	TERMINAL	8	COPPER ALLOY	CONTACT AREA:GOLD 0.5um MIN. SOLDER AREA:TIN 1.0um MIN. UNDER PLATING NICKEL 1.0um MIN.
③	SHELL	1	STAINLESS STEEL	—
④	NAIL	4	PHOSPHOR BRONZE	ALL OVER:TIN 1.0um MIN. UNDER PLATING NICKEL 1.0um MIN.

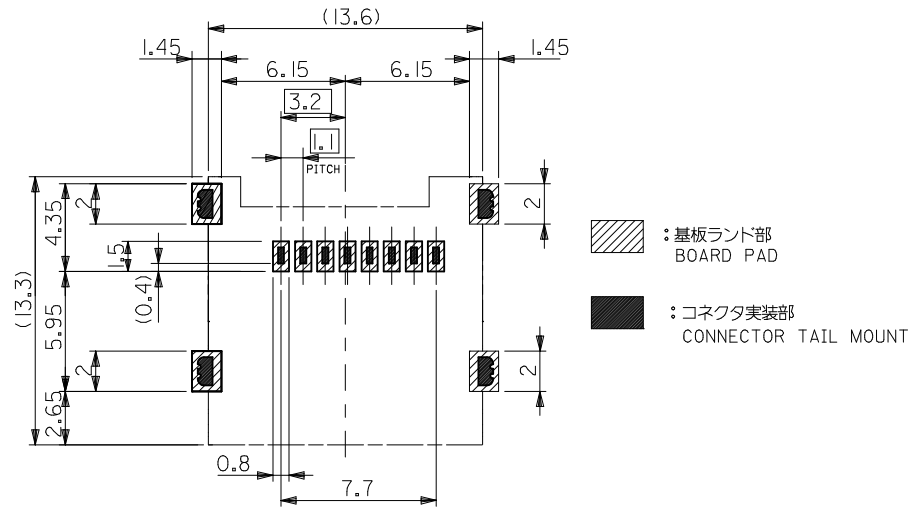


NOTE

1. EACH TERMINALS AND NAILS COPLANARITY TO BE 0.1MAX.
2. ELV AND RoHS COMPLIANT.

ORDER No.	500901-0801	500901-08**
CONNECTOR ONLY	500901-0829	
PACKAGE	MATERIAL No.	MODEL No.

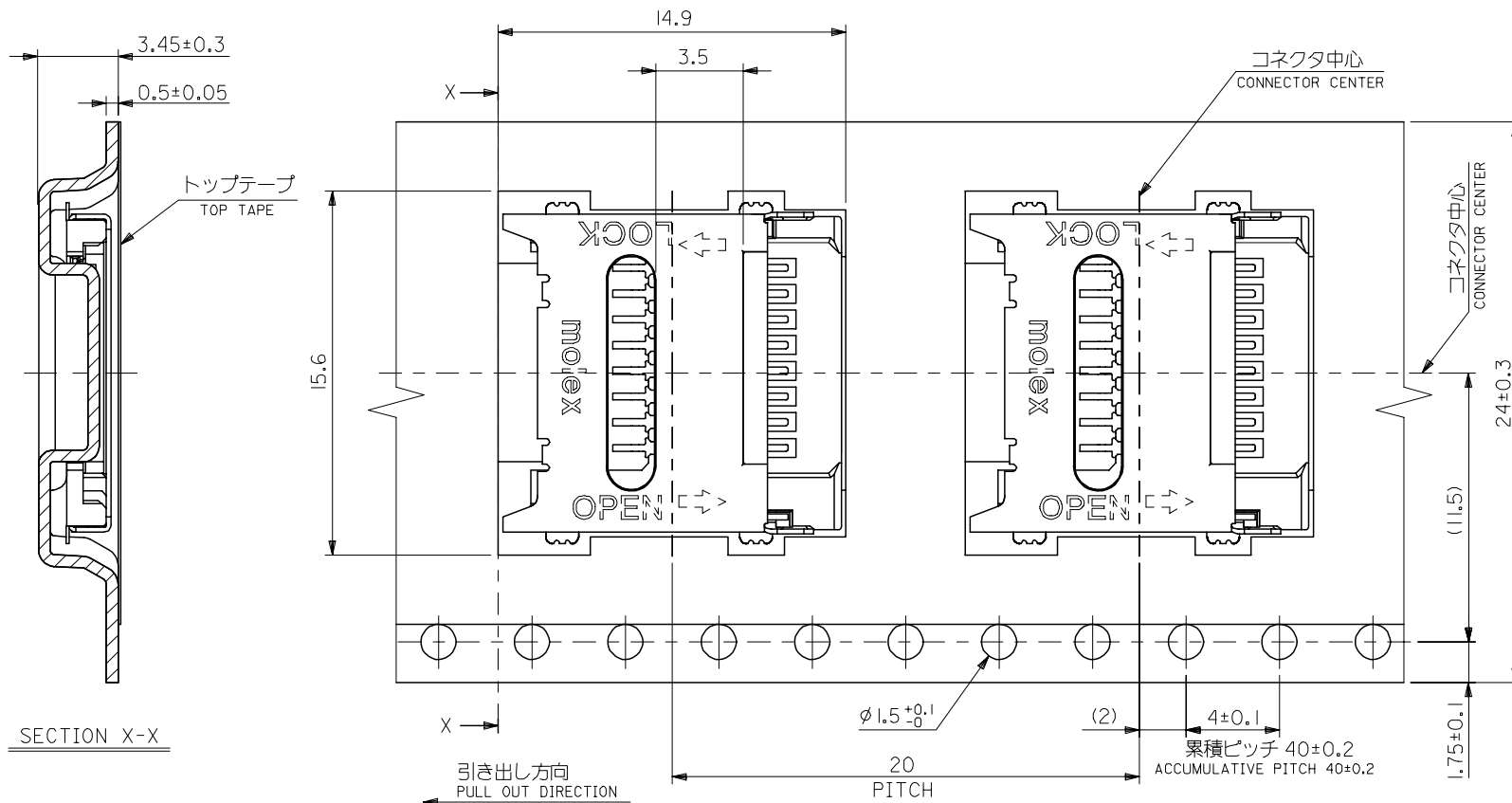
REVISED EC NO: J2015-1023 DRWN: MISO GAYA 2015/02/04 CHKD: APPR: NUKITA 2015/02/06	GENERAL TOLERANCES (UNLESS SPECIFIED)			DIMENSION STYLE		SCALE	DESIGN UNITS	THIRD ANGLE PROJECTION
	0.25 UNDER	UNDER	± 0.03	MM ONLY		5:1	METRIC	
	0.25 OVER	0.5 UNDER	± 0.05	DRAWN BY	DATE	TITLE		
	0.5 OVER	1.0 UNDER	± 0.1	TWATANABE	05/01/21	TFR MEMORY CARD CONN. HINGE TYPE		
	1.0 OVER	10 UNDER	± 0.2	CHECKED BY	DATE			
	10 OVER	30 UNDER	± 0.25	HTAKASE	05/01/21			
	30 OVER		± 0.3	APPROVED BY	DATE			
	ANGULAR	± 3 °		JMIYAZAWA	05/01/21			
	DRAFT WHERE APPLICABLE MUST REMAIN WITHIN DIMENSIONS			MATERIAL NO.	DOCUMENT NO.		SHEET NO.	
				SEE CHART	SD-500901-003		1 OF 2	
				SIZE	THIS DRAWING CONTAINS INFORMATION THAT IS PROPRIETARY TO MOLEX INCORPORATED AND SHOULD NOT BE USED WITHOUT WRITTEN PERMISSION			
				A3				



推奨基板寸法(上面図) 一般公差: ±0.05  
 RECOMMENDED P.C. BOARD LAYOUT(TOP VIEW)  
 GENERAL TOLERANCES : ±0.05

REVISED EC NO: J2015-1023 DRWN: MISOGAYA 2015/02/04 CHKD: APPR: NUKITA 2015/02/06	GENERAL TOLERANCES (UNLESS SPECIFIED)			DIMENSION STYLE MM ONLY		SCALE 5:1	DESIGN UNITS METRIC	THIRD ANGLE PROJECTION	
	0.25 UNDER	UNDER	±0.03	DRAWN BY	DATE	TITLE			
	0.25 OVER	0.5 UNDER	±0.05	TWATANABE	05/01/21	TFR MEMORY CARD CONN. HINGE TYPE			
	0.5 OVER	1.0 UNDER	±0.1	CHECKED BY	DATE				
	1.0 OVER	10 UNDER	±---	HTAKASE	05/01/21				
10 OVER	30 UNDER	±---	APPROVED BY	DATE	DOCUMENT NO.		SHEET NO.		
30 OVER		±---	JMIYAZAWA	05/01/21	SD-500901-003		2 OF 2		
ANGULAR	±--- °		MATERIAL NO.		SEE CHART				
DRAFT WHERE APPLICABLE MUST REMAIN WITHIN DIMENSIONS				SIZE A3	THIS DRAWING CONTAINS INFORMATION THAT IS PROPRIETARY TO MOLEX INCORPORATED AND SHOULD NOT BE USED WITHOUT WRITTEN PERMISSION				





RELEASED EC NO: J2005-2205 DRW/KSETO 2005/02/03 CHK/D: TWATANABE 2005/02/03 APPR: JMIYAZAWA 2005/02/08	GENERAL TOLERANCES (UNLESS SPECIFIED)		DIMENSION STYLE MM ONLY		SCALE ---	DESIGN UNITS METRIC	THIRD ANGLE PROJECTION
	10 UNDER	± ---	DRAWN BY TWATANABE	DATE 05/01/21	TITLE TFR MEMORY CARD CONN. EMBOSSD TAPE PACKAGE		
	10 OVER 30 UNDER	± ---	CHECKED BY HTAKASE	DATE 05/01/21	MOLEX INCORPORATED		
	30 OVER	± ---	APPROVED BY JMIYAZAWA	DATE 05/01/21	DOCUMENT NO. SD-500901-004		
	ANGULAR ±3°		MATERIAL NO. 500901-0801		SHEET NO. 2 OF 2		
DRAFT WHERE APPLICABLE MUST REMAIN WITHIN DIMENSIONS		SIZE A3		THIS DRAWING CONTAINS INFORMATION THAT IS PROPRIETARY TO MOLEX INCORPORATED AND SHOULD NOT BE USED WITHOUT WRITTEN PERMISSION			