

Hall Effect Voltage Sensor CYHVS025T

CYHVS025T is a Hall Effect Voltage sensor, which is based on closed loop and magnetic compensation principle. This sensor can be used for measuring DC and AC voltage with different wave forms. It has high electric isolation.

Features

- High electrical isolation
- High reliability
- Good overload capability
- Small sizes
- Insulated plastic case recognized according to UL94-V0
- Very good property-price ratio

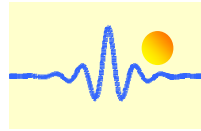
Applications

- Switched Mode Power Supplies
- Uninterruptible power supplies (UPS)
- Overvoltage protection
- Feedback of control systems
- Electric power network monitoring
- AC frequency conversion servo-motors
- Various power supplies
- Power supply for welding applications

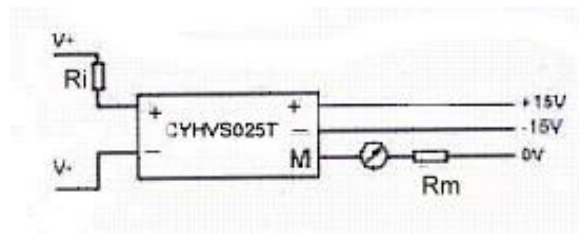
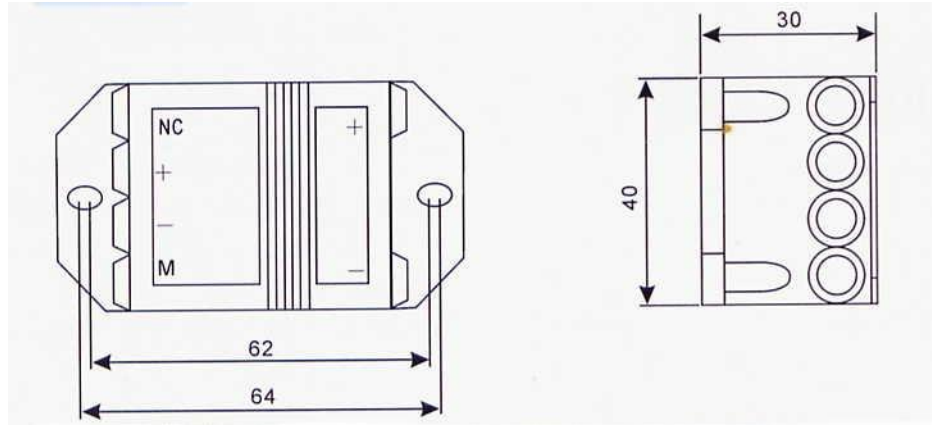
Electrical Parameters

Parameters	Values		Unit
Rated input current (I_N)	± 10		mA
Measuring range(I_P)	0~ ± 14		mA
Measuring voltage range	100-2500		V
Measuring resistance (R_M)		R_{Mmin}	R_{Mmax}
	@ $\pm 10mA$	100	300
Rated secondary current (I_S)	± 25		mA
Power supply (V_C)	$\pm 15 (\pm 5\%)$		V
Turns ratio (N)	2500 : 1000		
Current consumption (I_C)	10+ I_S		mA
Isolation voltage (V_d)	2.5kV/50Hz/1min		
Measuring accuracy (X_G)	$\pm 0.6\%$ FS (Full Scale)		
Linearity (ϵ_L)	<0.2% FS		
Offset current (I_o)	typical	maximum	
	± 0.1	± 0.15	mA
Thermal drift of offset current I_o	0°C~70°C	± 0.2	± 0.3
	-40°C~+85°C	± 0.3	± 0.6
Response time (t_r)	<40		µs
Ambient operating temperature (T_A)	-10°C ~ +70°C		
Ambient storage temperature (T_S)	- 40°C ~ +85°C		
Primary resistance (R_i)	@ $T_a=25^\circ C$, 140		Ω
Secondary coil resistance (R_s)	@ $T_a=25^\circ C$, 40		Ω

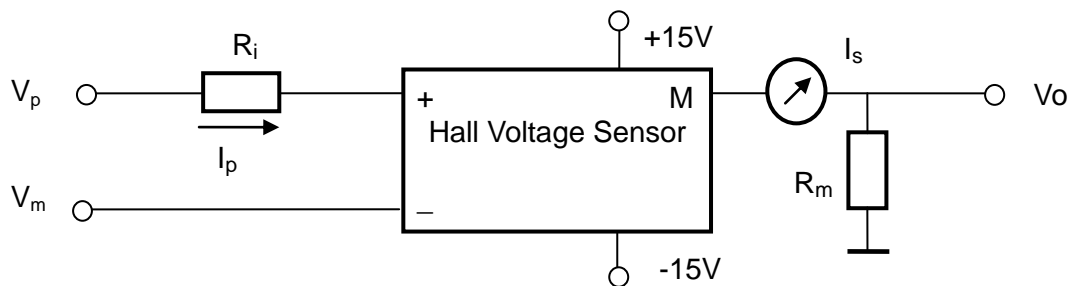
Polarity: output current I_s is positive when input current I_p is applied on the “+” terminal



Case Style and Connection



Measuring Principle

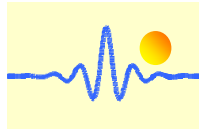


A magnetic field is generated by current I_p when a voltage ($V_p - V_m$) is applied on the input terminals of the sensor through the primary resistor R_i . This magnetic field is compensated with the reverse magnetic field caused by the current I_s in the secondary coil. The field compensation effect can be detected with a Hall Effect element. One obtains the following equation when the magnetic flux is zero:

$$N_p I_p = N_s I_s$$

where I_p : primary current; I_s : secondary current,
 N_p : primary turns, N_s : secondary turns.

The secondary current I_s is considered as output current of the sensor. Therefore the voltage ($V_p - V_m$) can be measured in this way under using the measuring resistor R_m .



Application Note

1) Determination of Primary Resistor R_i

The primary resistor R_i should be selected to enable the rated input current to be equal 10mA in order to obtain an optimal measuring accuracy.

For instance, the resistor R_i is 25k Ω for a rated input voltage of 250V. Here is recommended resistor in dependence of the measuring voltage:

Rated Input voltage (V)	Resistor R_i (k Ω)
100	10
200	20
500	50
1000	100
1500	150
2000	200
2500	250

2) Measuring Range

The sensors are suitable for measuring a voltage $\pm 100 \sim \pm 2500V$. The primary resistor should be considered when selecting the measuring range in order to keep the temperature heating to a possible low level and to guarantee the high electric isolation property.