



DC Voltage Sensor CYVT01-xnS1

The **CYVT01-xnS1** DC voltage sensor/transducer works according Linear Photoelectrical Isolation and is designed for applications to measurement and monitoring of DC voltage. The output signal (DC voltage or current) of this transducer is proportional to the input DC voltage. They are suitable for measurements and long time monitoring of DC voltages and can applied to power supply management, DC motor drivers, battery chargers and systems etc.

Specifications

Rated input voltage range	10mV, 50mV, 75mV, 1V, 5V, 10V, 50V, 75V, 100V, 200V, 500V, 600V, 700V, 800V, 900V, 1000V
Output signal	0-5VDC, 0-20 mA, 4-20 mA, 0-10V DC, frequency OC
Power supply	+12V, +15V, +24V DC
Measuring accuracy	0.5%
Isolation (three-isolation)	between input, output and power supply
Input resistance	>1MΩ
Load resistance	≥2kΩ for voltage output, ≤250Ω for current output
Isolation withstanding voltage	2.5 kV DC, 1min, leakage current 1mA
Operating temperature	-10°C ~ +60°C
Storage temperature	-25°C ~ + 70°C
Relative humidity	10% ~ 90%
Response time	≤400ms
Overload capacity	2 times
Quiescent power consumption	300mW – 380mW
Mounting	Din rail
Case style	S1 without aperture

Definition of Part number:

CYVT01	-	x	n	S1	-	0.5	-	M
(1)		(2)	(3)	(4)		(5)		(6)

(1)	(2)	(3)	(4)	(5)	(6)
Series name	Output signal	Power supply	Case style	Accuracy class	Input voltage range (M=U/B + m)
CYVT01	x=3: 0-5V DC x=4: 0-20mA DC x=5: 4-20mA DC x=8: 0-10V DC x=F: Frequency OC**	n=2: +12V DC n=3: +15V DC n=4: +24V DC	S1	0.5%	m=10mV, 50mV, 1V, 5V, 10V, 50V,75mV, 75V, 100V, 200V, 500V, 600V, 700V, 800V,900V, 1000V

** Frequency range: 10 kHz, accuracy: 0.5%, response time is longer than those given in the table above
U: : uni-directional input voltage; **B:** bi-directional input voltage

Output Signal of Custom Made Sensors:

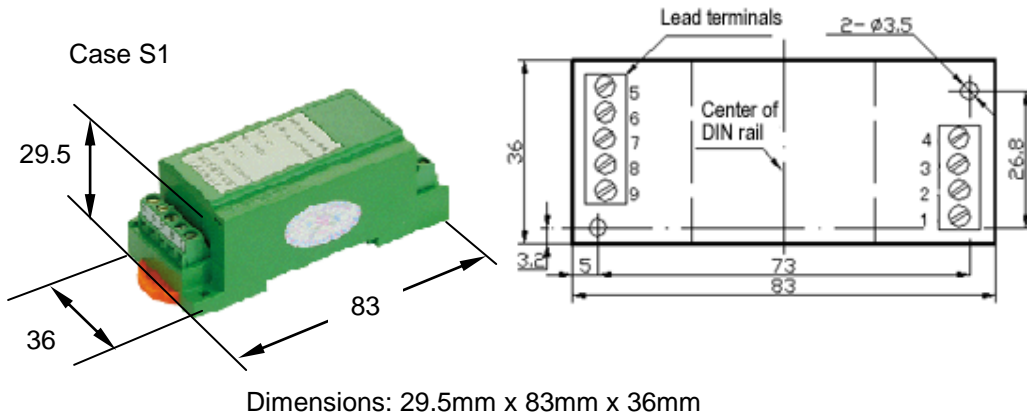
x=1: tracing voltage 5V, **x=2:** tracing current 20mA



Example 1: CYVT01-32S1-0.5-U100V, DC Voltage sensor with
Output signal: 0-5V DC
Power supply: +12V DC
Rated input voltage: 0-100V DC (uni-directional)

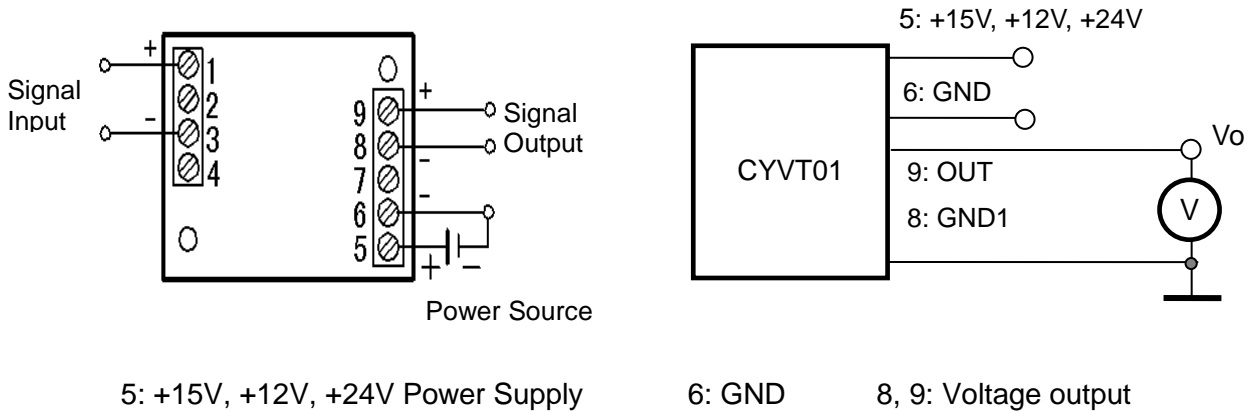
Example 2: CYVT01-54S1-0.5-B100V, DC Voltage sensor with
Output signal: 4-20mA DC
Power supply: +24V DC
Rated input voltage: -100V ~ +100V DC (bi-directional)

DIMENSIONS (mm)



CONNECTIONS

Wiring of Terminals for voltage output:

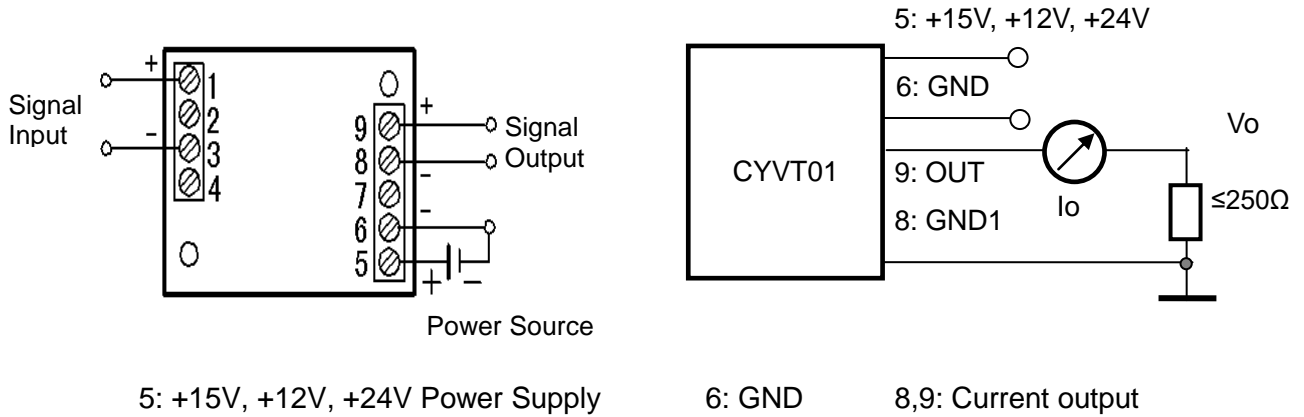


Relation between Input and Output:

Sensor CYVT01-32S1-0.5-U100V		Sensor CYVT01-32S1-0.5-B100V	
Input voltage (V)	Output voltage (V)	Input voltage (V)	Output voltage (V)
0	0	-100	0
25	1.25	-50	1.25
50	2.5	0	2.5
75	3.75	50	3.75
100	5	100	5



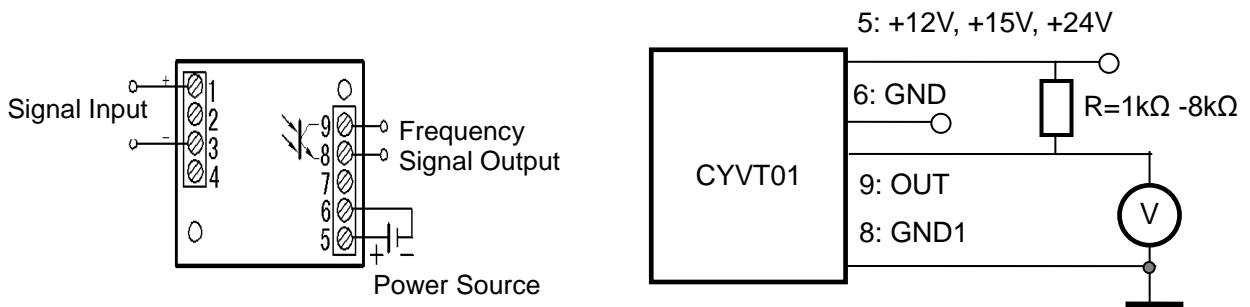
Wiring of Terminals for Current Output:



Relation between Input and Output (for $R_m=250 \Omega$):

Sensor CYVT01-54S1-0.5-U100V			Sensor CYVT01-54S1-0.5-B100V		
Input voltage (V)	Output current I_o (mA)	Output voltage V_o (V)	Input voltage (V)	Output current I_o (mA)	Output voltage V_o (V)
0	4	1	-100	4	1
25	8	2	-50	8	2
50	12	3	0	12	3
75	16	4	50	16	4
100	20	5	100	20	5

Wiring of Terminals for OC Frequency Output:



The value of the pull-up resistor R should be selected in order to get a current of 4-5mA flowing through the pull-up resistor. For instance the pull-up resistor is $24V/4.5mA=5.3k\Omega$ if you use a power supply +24VDC.

Recommended value of the pull-up resistor R

Power supply	+12V	+15V	+24V
Pull-up resistor R	2.6k Ω	3.3k Ω	5.3k Ω