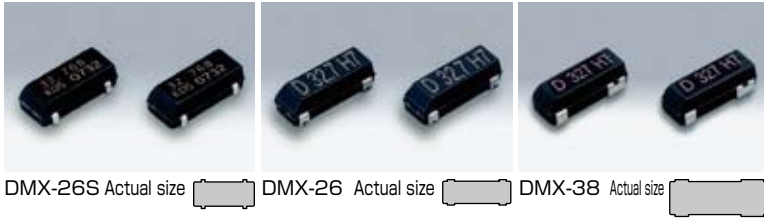


SMD Tuning Fork Crystal Resonators / kHz Band Crystal Resonators

DMX-26S/DMX-26/DMX-38



■ Features

- Plastic molded SMD tuning fork crystal of heat-resistance DT-38, DT-381, DT-26 and DT-261
- Correspond to automatic mounting and reflow soldering.
- Suitable for digital AV equipment, PC, gaming equipment as well as many other applications.
- Also suitable for automotive applications (AEC-Q200 Compliant)(DMX-26S)

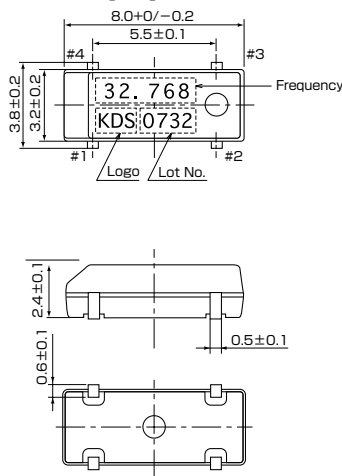
■ Standard Specification

Item	Type	DMX-26S	DMX-26	DMX-38
Frequency Range		32.768kHz(30~100kHz)		32.768kHz(15~100kHz)
Load Capacitance		12.5pF		
Drive Level		1.0μW(2.0μW max.)		
Frequency Tolerance		±30×10 ⁻⁶ (at 25°C)		
Series Resistance		50kΩ max. ※		
Turnover Temperature		+25±5°C ※		
Parabolic Coefficient		-0.04×10 ⁻⁶ /°C ² max.		
Operating Temperature Range		-40~+85°C		
Storage Temperature Range		-40~+85°C		
Shunt Capacitance		1.25pF Typ. ※	1.40pF Typ. ※	1.65pF Typ. ※
Packing Unit		2500pcs./reel(φ330)		1000pcs./reel(φ330)

※A custom specification will be provided for the frequency other than 32.768kHz. Consult our sales representative for other specifications.

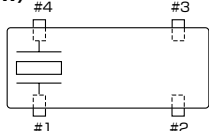
■ DMX-26S

■ Dimensions[mm]



■ Internal Connections

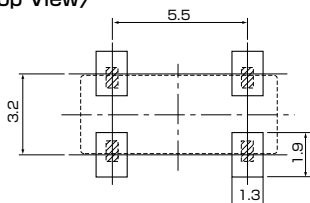
<Top View>



- Pin #2 and #3 should be soldered to be electrically OPEN to the PCB.

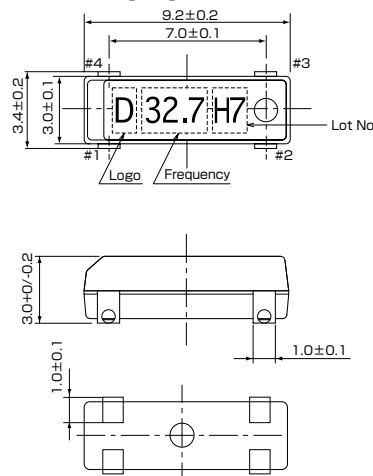
■ Recommended Land Pattern[mm]

<Top View>



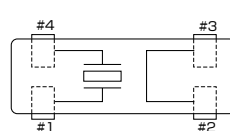
■ DMX-26

■ Dimensions[mm]



■ Internal Connections

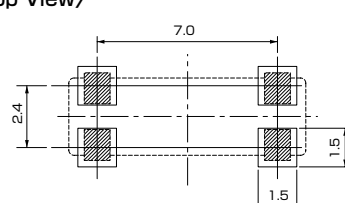
<Top View>



- Pin #2 and #3 should be soldered to be electrically OPEN to the PCB.

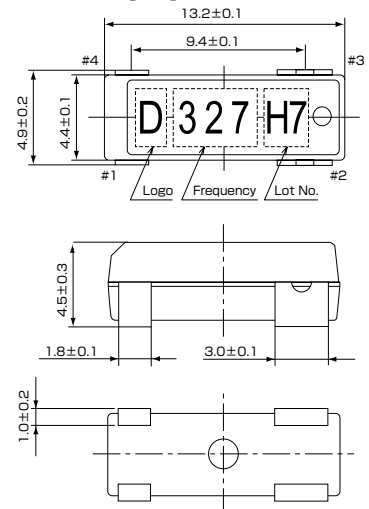
■ Recommended Land Pattern[mm]

<Top View>



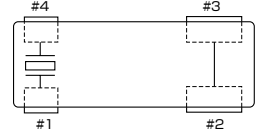
■ DMX-38

■ Dimensions[mm]



■ Internal Connections

<Top View>



- Pin #2 and #3 should be soldered to be electrically OPEN to the PCB.

■ Recommended Land Pattern[mm]

<Top View>

