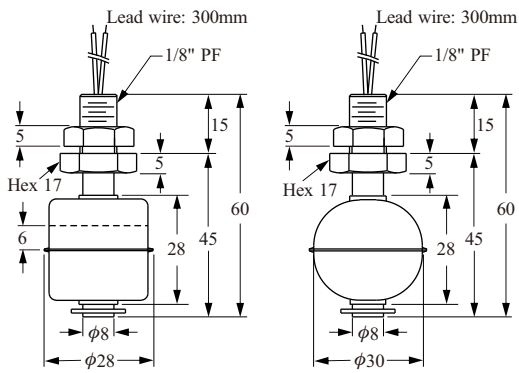
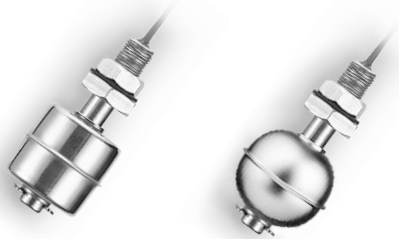


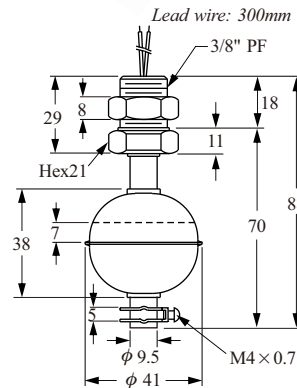
STAINLESS STEEL MODELS

► FD 30□1/ FD 35□1



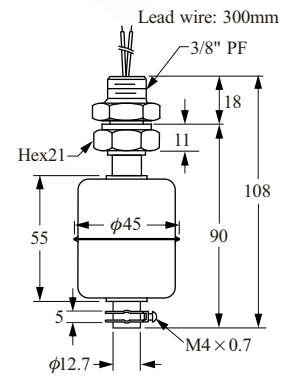
Washer: NBR
Drill hole $\phi 10\text{mm}$

► FD 40□1



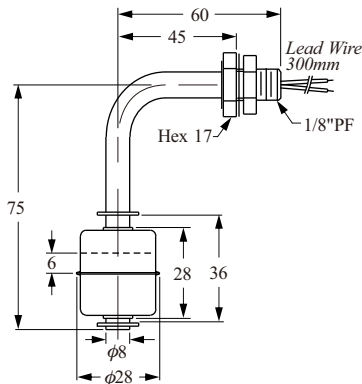
Washer: NBR
Drill hole $\phi 17\text{mm}$

► FD 45□1



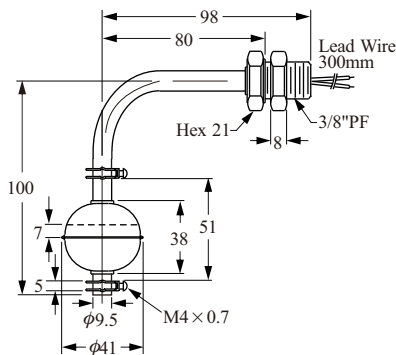
Washer: NBR
Drill hole $\phi 17\text{mm}$

► FD 30□2



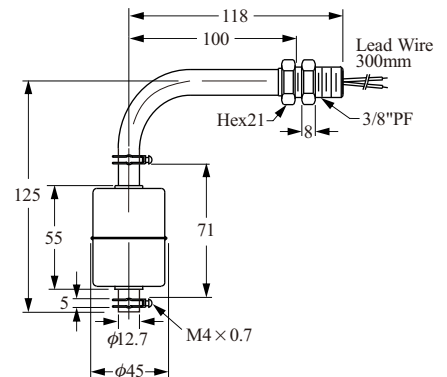
Washer: NBR
Drill hole $\phi 10\text{mm}$

► FD 40□2



Washer: NBR
Drill hole $\phi 17\text{mm}$

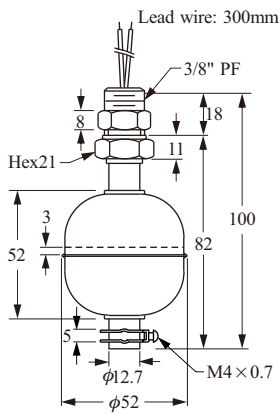
► FD 45□2



Washer: NBR
Drill hole $\phi 17\text{mm}$

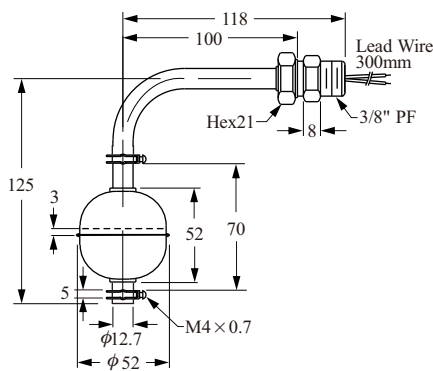
METAL TYPES

► FD 50□1



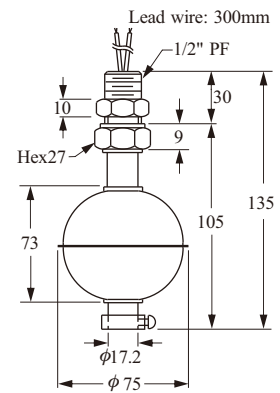
Washer: NBR
 Drill hole ϕ 17mm

► FD 50□2



Washer: NBR
 Drill hole ϕ 17mm

► FD 75□1



Washer: NBR
 Drill hole ϕ 21mm

■ SPECIFICATIONS

Description	Type	FD30□1D FD30□2D	FD40□1D FD40□2D	FD45□1D FD45□2D	FD50□1D FD50□2D	FD75□1D	FD10□1D
Material		Stainless Steel SUS304, 316					
Switching Capacity Max.		50W SPST	50W SPST	50W SPST	50W SPST	50W SPST	
Switching Voltage Max.		240Vac/200Vdc				220Vac	
Switching Current Max. (A)		0.5A	0.5A	0.5A	0.5A	1A	
Carry Current Max. (A)		1A	1A	1A	1A	2A	
Lead Wire		XLPE (UL3266, AWG22)					
Reversible Switch Action		YES / below 80°C, NO / UP 80°C				NO	NO
Max. Pressure (Kg/cm ²)		10	30	12	30	30	10
Operating Temperature		-20~120°C (OPTION 200°C)					
Suitable Specific Gravity		0.7	0.7	0.65	0.55	0.65	0.5

MODEL / NUMBER ORDER CODE COMPARISON TABLE

Model Number	Order Code
FD30□1D	FDM30000-30□□VD
FD30□2D	FDM30000-30□□HD
FD40□1D	FDM30000-40□□VD
FD40□2D	FDM30000-40□□HD
FD45□1D	FDM30000-45□□VD
FD45□2D	FDM30000-45□□HD
FD50□1D	FDM30000-50□□VD
FD50□2D	FDM30000-50□□HD
FD75□1D	FDM30000-75□□VD
FD10□1D	FDM30000-10□□VD

ORDER INFORMATION (STAINLESS STEEL SWITCHES)

FDM 3 05 06 07 08 - 09 10 11 12 13 14 15 16 17 18 19 20 21

05 06 Model
 00: Standard
 02: Hi-temperature

07 08 Certification
 00: None

09 10 Type
 10: ϕ 75x108, 1/2"PF 35: ϕ 30x28, 1/8"PF 45: ϕ 45x55, 3/8"PF
 30: ϕ 28x28, 1/8"PF 36: ϕ 30x28, 1/8"NPT 50: ϕ 52x52, 3/8"PF
 31: ϕ 28x28, 1/8"NPT 40: ϕ 41x38, 3/8"PF 75: ϕ 75x73, 1/2"PF

11 12 Probe material
 MA: SUS 304
 MB: SUS 316

13 Mounting
 V: Top or Bottom Mounting
 H: Side Mounting

14 Switching Capacity Max.
 D: 50W 240VAC/200VDC SPST
 F: 10W 125VAC SPST
 K: 20W 150VAC/200VDC SPDT

15 Contact Mode
 A: SPST, Normal Open D: Normal Closed Reversible
 B: SPST, Normal Closed E: Normal Open Reversible
 C: SPDT

16 17 18 Material of Lead wire
 210: Teflon (200°C AWG24) 250: Silicon (150°C AWG24 Cable)
 230: PVC (80°C AWG22) 291: XLPE (125°C AWG22)
 231: PVC (80°C AWG22 Cable) 300: XLPVC (105°C AWG24)
 232: PVC (80°C AWG24 Cable)

19 20 21 Lead wire Length
 001: 100mm 005: 500mm 009: 900mm
 002: 200mm 006: 600mm 010: 1000mm
 003: 300mm 007: 700mm 020: 2000mm
 004: 400mm 008: 800mm 100: 10m