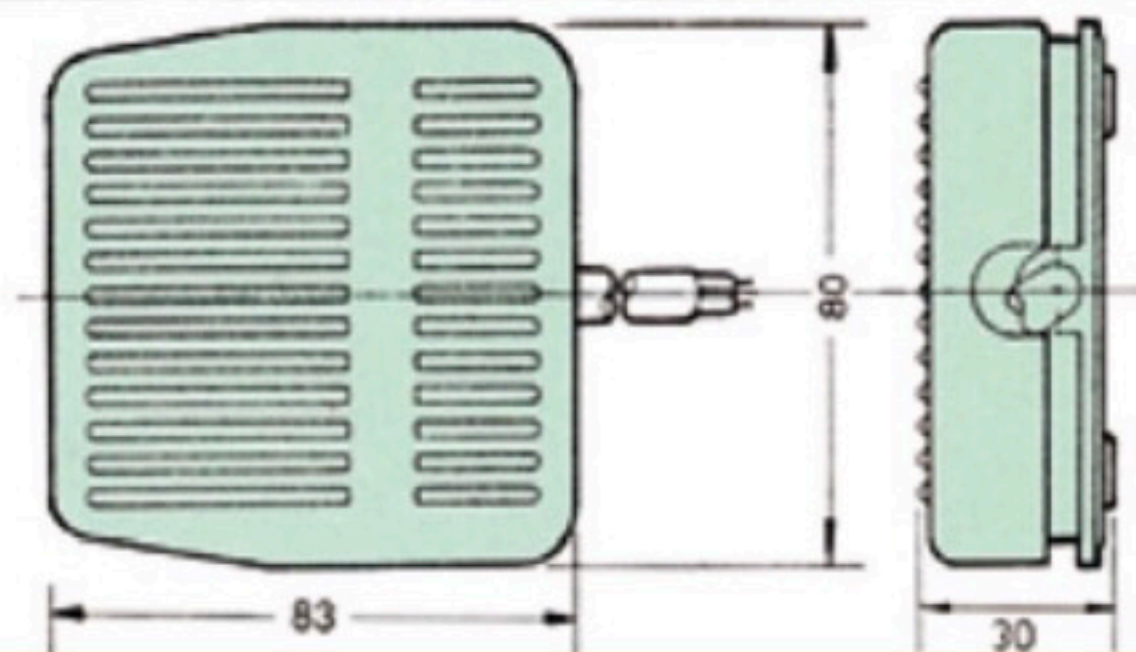
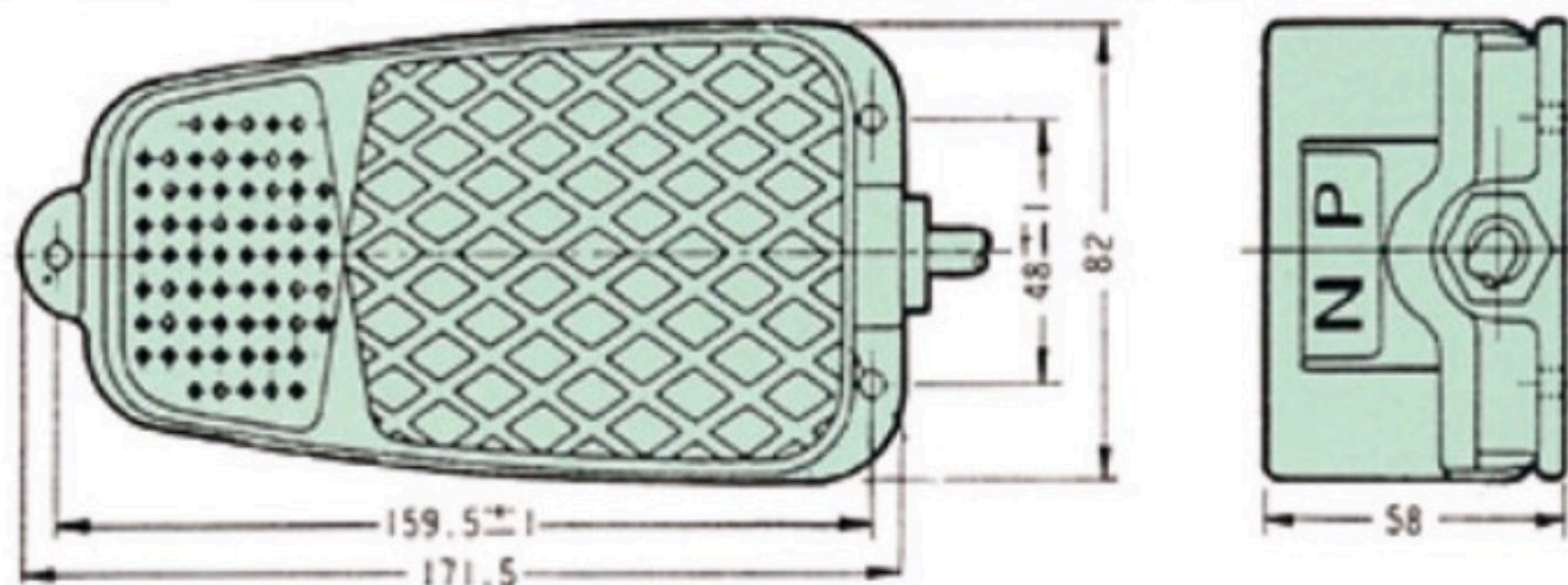
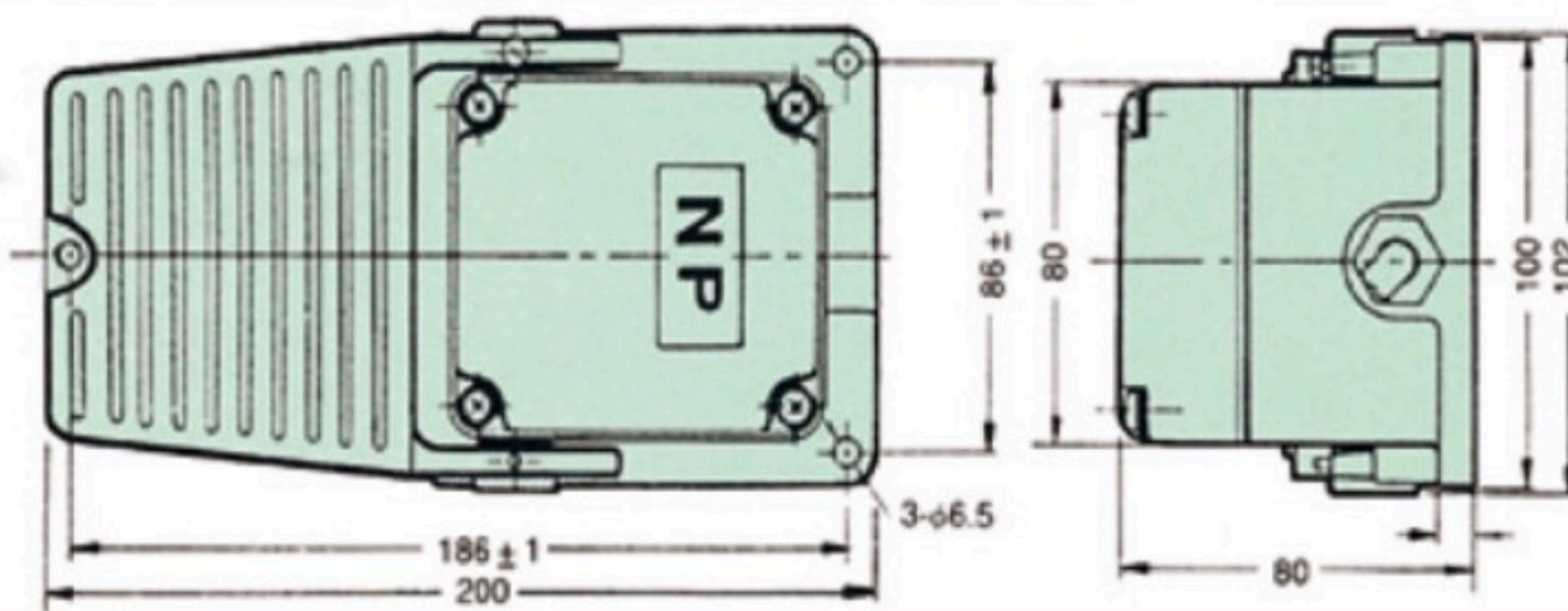
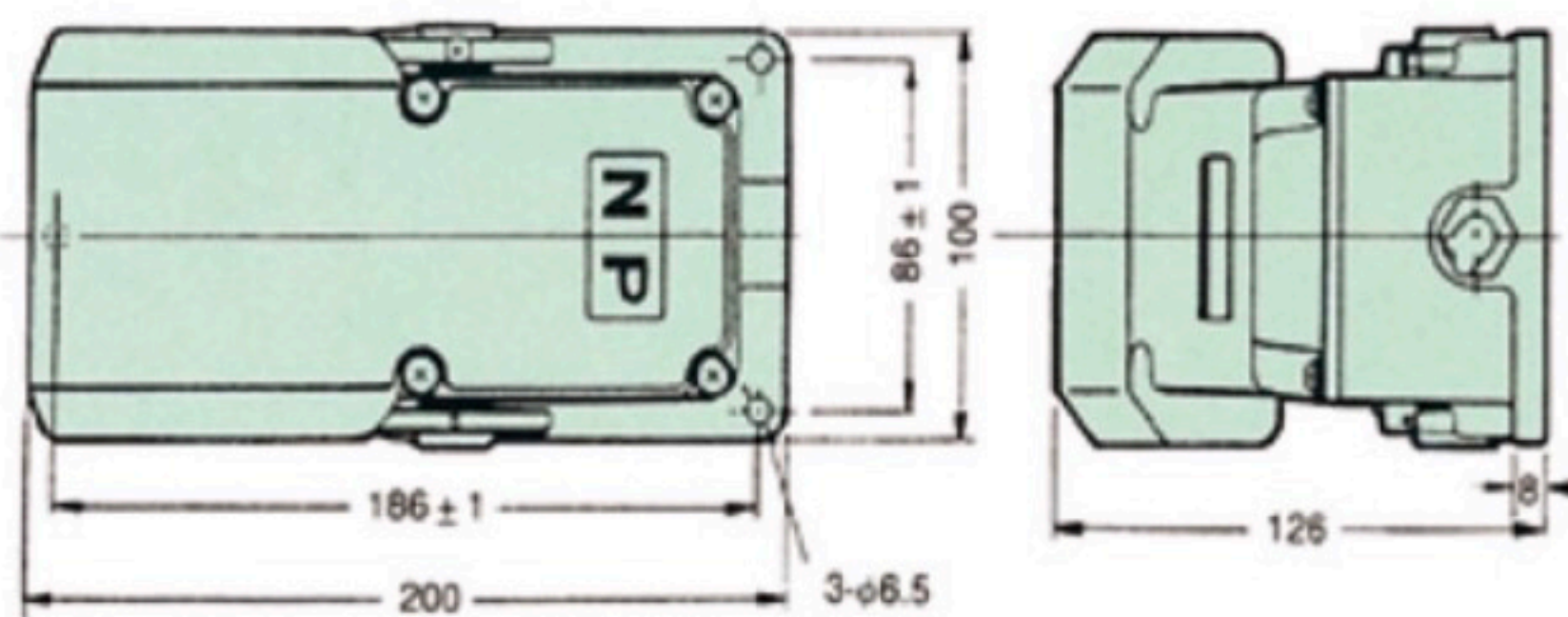


FS-2

unit: mm

FS-3**FS-4****FS-5**

TYPE	RATING	CONTACTOR	CORD SPEC.	ENCLOSURE MATERIAL	WEIGHT
FS-2	AC250V 10A	1A 1B	PVC 0.55mm ² • 3C • 1M	POLY-CARBONATE	240g
FS-3	AC250V 10A	1A 1B	PVC 0.75mm ² • 3C • 1M	ALUMINUM	470g
FS-4	AC250V 15A	1A 1B	PVC 0.75mm ² • 3C • 1.7 M	ALUMINUM	820g
FS-5	AC250V 15A	1A 1B	PVC 0.75mm ² • 3C • 1.7 M	ALUMINUM	1000g