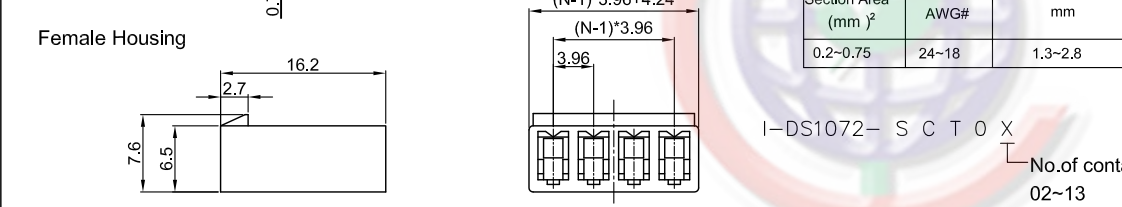
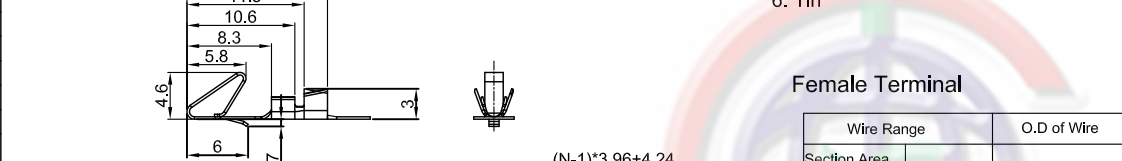


The information provided herein is from CONNFLY Electronic Co., Ltd. and is confidential. Any disclosure to a party other than the recipient is prohibited. The intellectual properties and its rights contained herein, including but not limited to, trademarks, patents, copyrights, trade secrets, and technical know-how, are owned exclusively by CONNFLY or its affiliates. Unauthorized use or reproduction of this document in any format or manner, CONNFLY may enforce its intellectual property rights at its own discretion; failures or delays to exercise such rights does not constitute a waiver of such rights.

1 2 3 4 5 6 7 8

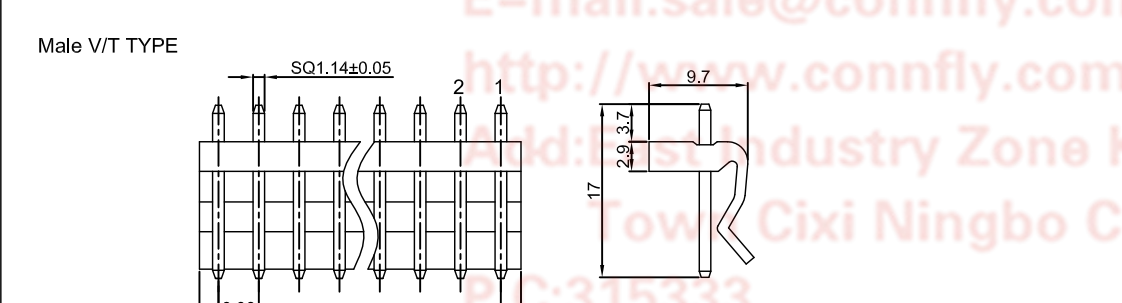
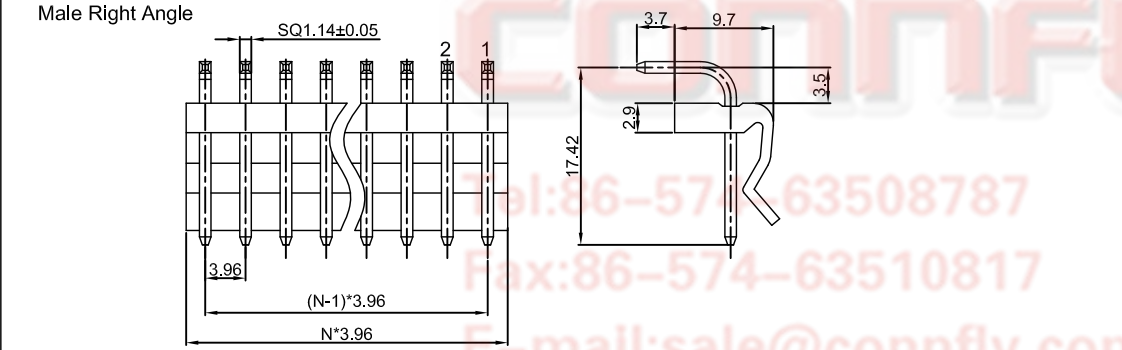
REV.	DESCRIPTION	DRAWN	CHECKED	APPROVED
A	NEW RELEASE	LL 10/09/06		LJC 10/09/06
D	DRAWING UPDATE	JLZ 05/04/18'		



NOTES:

1. MAIN SPECIFICATIONS

- . Housing material: NYLON 66
- . Wire range: AWG#24~#18
- . Rated voltage: 250V
- . Rated current: 7A(18AWG)
- . Contact resistance: 30mΩ Max
- . Insulation resistance: 1000MΩ Min
- . Withstanding voltage: 1000V, AC 1 minute
- . Temperature range: -25 ~ +85°C
- . Recommend PC board thickness: 1.6mm



N=No. of contacts

GENERAL TOLERANCE	ANGLE TOLERANCE	PROJECTION	TITLE
X. ±0.60	X. ±5°		P.C.B CONNECTOR Pitch 3.96mm
.X ±0.38	.X ±3°	mm	
.XX ±0.25	.XX ±2°	A4	SERIES DS1072 SERIES
DRAWING TYPE	CUSTOMER		
SCALE	1:1	SHEET	1 OF 1
DRAWING NO.	C-DS1072-XXXXX-D		

2. PRODUCT NUMBER CODE:

DS1072 - X X X X X

- Contact Plating
6: Tin
8: Full gold flash
- Housing Color
T: Transparent
- Mounting type
R: Right Angle
V: V/T type
- Connector type
M: Male
- No. of contact
2 to 13

晨翔电子有限公司 CONNFLY CONNFLY ELECTRONIC CO. LTD	

1 2 3 4 5 6 7 8