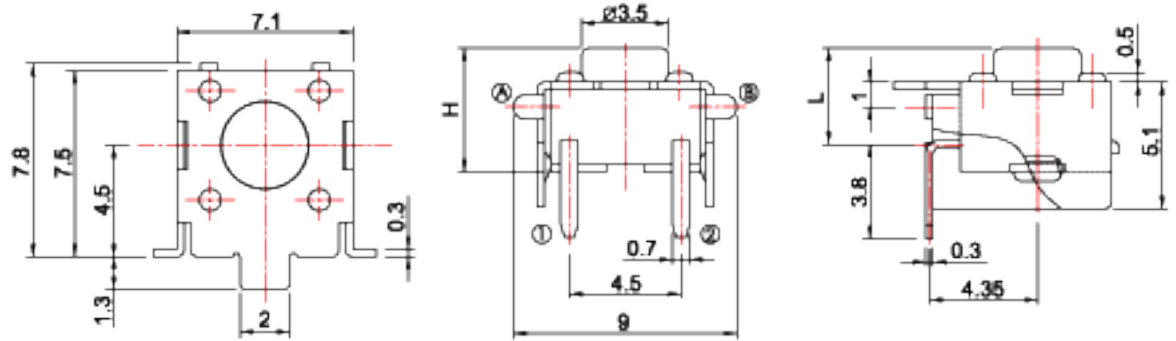
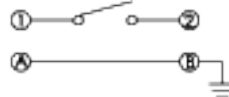


CIRCUIT DIAGRAM

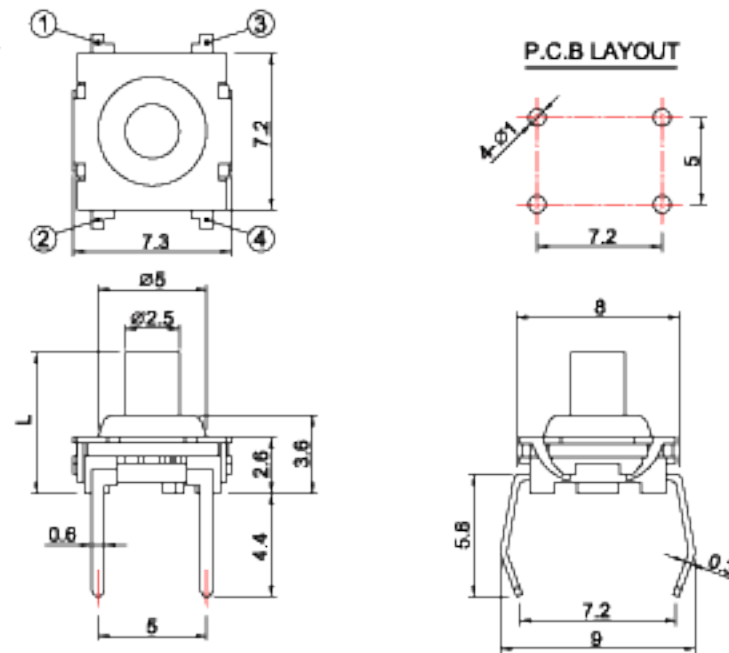
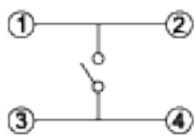


MODEL NO.	L	H	MODEL NO.	L	H
IT4-1102US	3.15	4.3	IT4-1102USE	6.15	7.3
IT4-1102USA	3.85	5.0	IT4-1102USF	11.35	12.5
IT4-1102USB	5.85	7.0	IT4-1102USG	12.35	13.5
IT4-1102USC	6.85	8.0	IT4-1102USH	10.85	12.0
IT4-1102USD	8.35	9.5			

Rating : 50mA 12V DC Max.  
Travel : 0.25±0.1mm.  
Contact resistance : 100mΩ Max.  
Operating force : 70±20g.  
100, 160±30g.  
250±50g.  
Life : 1,000,000 Cycles Min.



SCHEMATIC



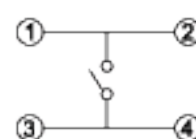
IT-7701HX

Knob (L)	
□	5.0
A	7.0
B	8.5

Rating : 50mA 12V DC.  
Travel : 0.3±0.05mm.  
Contact resistance : 50mΩ Max.  
Operating force : 250±50g.  
Life : 80,000 Cycles.



SCHEMATIC



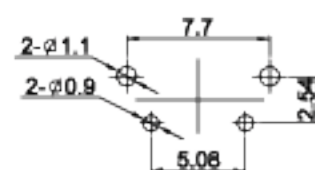
IT-7701SX

Knob (L)	
□	5.0
A	7.0
B	8.5

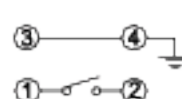
Rating : 50mA 12V DC.  
Travel : 0.3±0.05mm.  
Contact resistance : 50mΩ Max.  
Operating force : 250±50g.  
Life : 80,000 Cycles.



P.C.B MOUNTING HOLES



CIRCUIT DIAGRAM



Rating : 50mA 12V DC.  
Travel : 0.5±0.2mm.  
Bounce : 10m Sec Max.  
Contact resistance : 50mΩ Max.  
Operating force : 130, 160, 300±50g.  
Life : 130, 160g : 80,000 Cycles.  
300g : 50,000 Cycles.