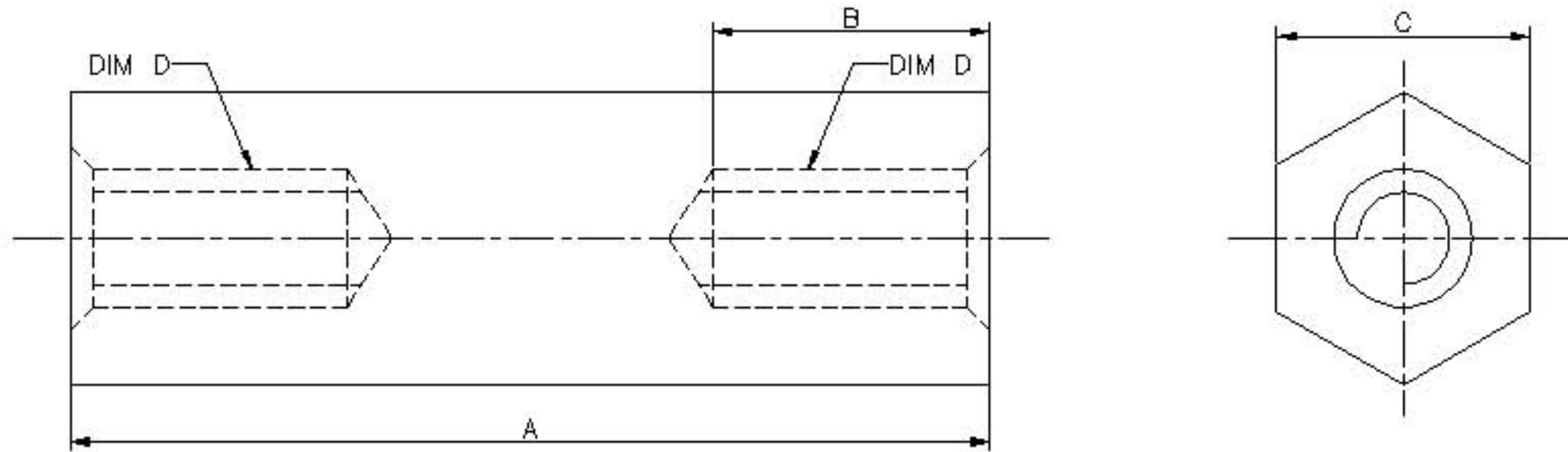


REV.	DESCRIPTION	DRAWN	CHECKED	APPROVED
A	NEW RELEASE	LJC 06/18/05'		



NOTES:

- 1.Materials: Copper alloy.
- 2:Plating: Nickel plating.
- 3:Part number code:

H - LXXXX - XXXX -5 -03 - 2N

Thread type: DIM D
03: M3.0

DIM C:
5: $\phi 5.5\text{mm}$

DIM B:
0600: 6.0mm

DIM A:
0600: 6.0mm
4000: 40.0mm

GENERAL TOLERANCE		ANGLE TOLERANCE	
X.	± 0.30	X.	$\pm 2^\circ$
.X	± 0.20	.X	$\pm 1^\circ$
.XX	± 0.15	.XX	$\pm 0.5^\circ$
DRAWING TYPE		CUSTOMER DRAWING	
SCALE		1:1	SHEET 1 OF 1
DRAWING NO.		H-LXXXX-XXXX-5-03-2N	

PROJECTION	TITLE
	Screws
UNITS	mm
SHEET SIZE	A4
SERIES	Hardwares SERIES

晨翔电子有限公司
CONNFLY CONNFLY ELECTRONIC CO. LTD