

SMD DIP Pogo pin connector Pogopin Battery Spring Loaded Contact Test Probe Power Charge Header Pins 2.54 Grid 7.0mm High

Brand name: RTLECS

Material for plugger and body: Brass Alloy

Spring material: Stainless Steel Wire

Surface Treatment: Gold plated 1 mirco inch, 3mirco inch over Nickle

Produce by: CNC Auto Lathe Machine

Application: Automotive, Instrument, Electronic Equipement, Battery Charge

Electric characteristics:

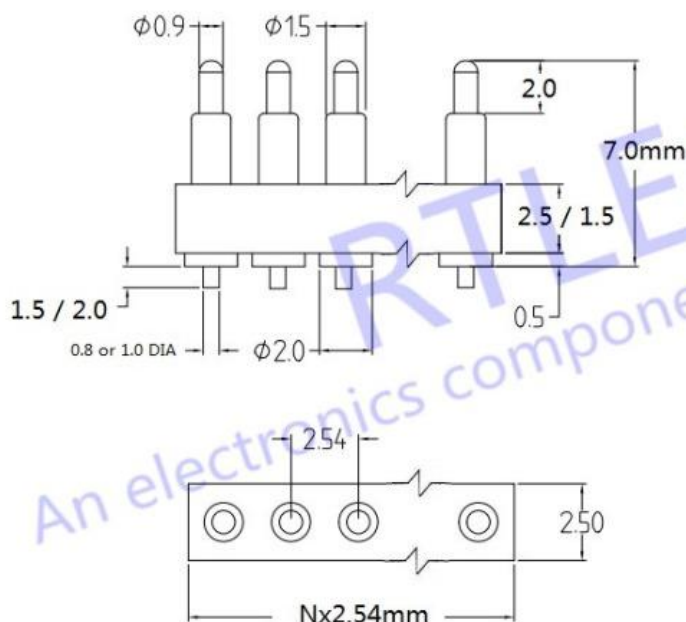
Current rating: 1A 12VDC

Spring force: 50g - 120g, can make according client requirement

Life cycles: 10000 max

Contact Resistance: 30 mOhm

DIP Drawing



1. Material:

Plunger: Brass 0.02u" Gold Plating 50u Min Nickel Under plated

Barrel: Brass 0.02 u"gold Plating 500u" Min Nickel Under plated

Spring: SUS304

2. Specification:

Current Rating: 12V 1.5A

Contact Resistance: 30 OHm Max

Temperature Range: -40 to +85 Degree

3. Mechanical Function

Spring Probe Force: 75+/-30g

Max Stroke: 2.0 mm Full Stroke

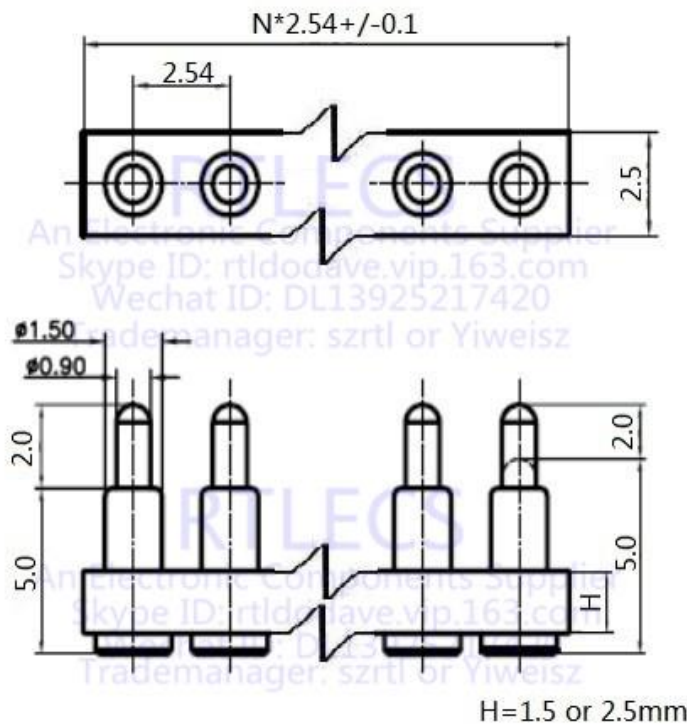
Durability: 10000 times

4. Reflow soldering 260 Degree Max

SHENZHEN WEILICHUANG ELECTRONIC CO.,LTD

N= 2 3 4 5 6 7 8 9 10 11 12 13 14 15, choose to order

SMD Drawing



1. Material:
Plunger: Brass 0.02 u" Gold Plating over Nickel Under
Barrel: Brass 0.02 u" gold Plating over Nickel Under
Spring: SUS304

2. Specification:
Current Rating: 12V 1.5A
Contact Resistance: 50 OHm Max
Temperature Range: -40 to +85 Degree

3. Mechanical Function
Spring Probe Force: 75+/-50g
Max Stroke: 2.0 mm Full Stroke
Durability: 10000 times

4. Reflow soldering 250 Degree Max

SHENZHEN WEILICHUANG ELECTRONIC CO.,LTD