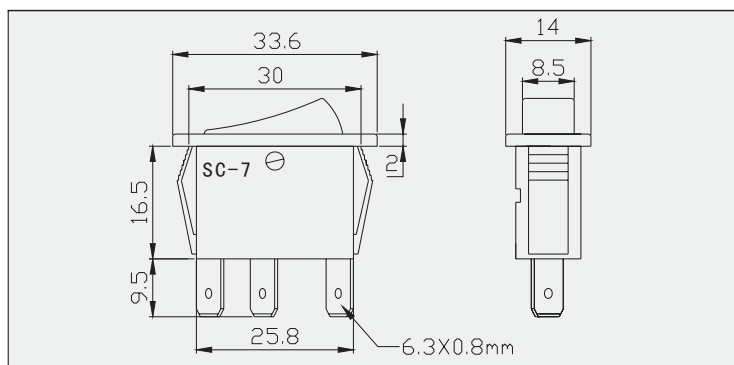


SERIES SC-7 SINGLE POLE ROCKER SWITCHES



SC-7-3VAW-00



APPLIANCE CUT-OUT

Single pole Y	X=panel thickness		
	X	Y	Z
Z	0.75~1.25	29.6-0.1	10.6+0.1
	1.25~2	29.8-0.1	10.6+0.1
	2~3	30.0-0.1	10.6+0.1

◆ PRODUCT ADVANTAGE

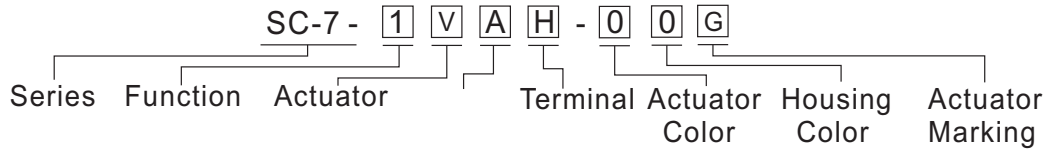
- Various rocker for your choice
- Excellent actuation characteristic
- Excellent SWPB spring support enough contact force and ensure mechanical life
- Accessional waterproof hat for your choice
- Usually use in oven、coffee maker、stirrer、power strip,ets

◆ TECHNICAL SPECIFICATIONS

Electrical rating	
Electrical life	1E4
Mechanical life	5E4
Contact resistance	$\leq 20\text{m}\Omega$
Insulation resistance	$> 100\text{M}\Omega$
High voltage resistance	1500 VAC
Resistance to tracking	PTI 175
Contact gap DT with centre-OFF	$> 3\text{mm}$
Protection type	IP20
Ambient temperature	0°C...+125°C
Flammability	UL94V-0
Heat and fire resistance	850°C
Material of housing and rocker	PA/PC
Material of Contacts	Ag or AgCdO
Material of Terminals	Copper Alloy
Temperature rise at the terminals (According to electrical life endurance)	Max.30K (UL1054) Max.55K (EN61058-1)
Push-on force of terminals	$\geq 96\text{N}$
Approval marks	
Suitable for appliances of protection class II	

SERIES SC-7 SINGLE POLE ROCKER SWITCHES

◆ PART NUMBER



Function(1)		
Function	Circuitry	Code
ON-OFF		1
ON-ON		2
ON-OFF-ON		3
ON-OFF (Normal Open)		4
ON-OFF (Normal Close)		5
ON-ON with one side reset		7
ON-OFF-ON with two side reset		13

Actuator(2)		
Actuator shape	Versions	Code
Arc Button		V

Terminals(4)		
Terminals	Versions	Code
Quick-connect terminal 4.8X0.8mm		H
Quick-connect terminal 6.3X0.8mm		W

Actuator Marking(5)			
Versions	Code	Versions	Code
	G	ON OFF	R
	P		

Versions	Code
	A

Examples of Common Part Numbers and Descriptions

Part Number	Circuitry	Switch Function	Terminal Type	Actuator/Housing Color	Marking
SC-7- 1VAH-00G		ON-OFF	Quick-connect terminal 4.8X0.8mm	Black/Black	
SC-7- 2VAW-00		ON-ON	Quick-connect terminal 6.3X0.8mm	Black/Black	
SC-7- 13VAW-00		ON-OFF-ON with two side reset	Quick-connect terminal 6.3X0.8mm	Black/Black	