

# SK02-111006NL

## RJ45



### SPECIFICATIONS

#### ELECTRICAL

CURRENT RATING: 1.5AMPS  
 VOLTAGE RATING: 125V AC  
 INSULATION RESISTANCE:  $\geq 500M\Omega$   
 WITHSTANDING VOLTAGE: AC 1000V  
 RMS 50Hz or 60Hz 1Min  
 CONTACT RESISTANCE:  $\leq 30m\Omega$

#### MECHANICAL

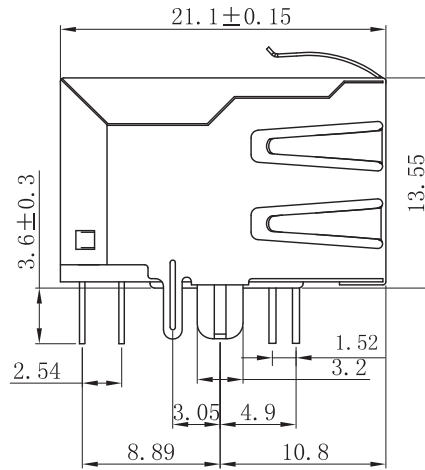
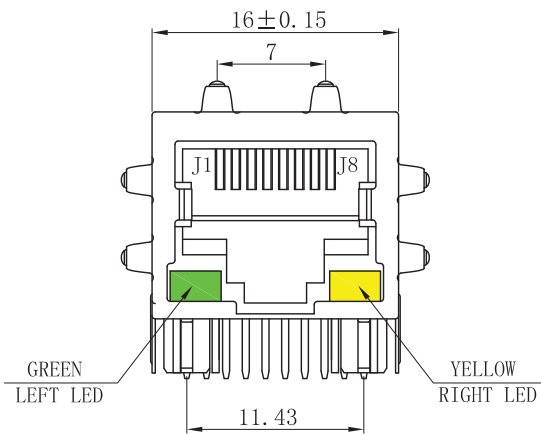
MATING FORCE: 5-25N  
 RETENTION STRENGTH:  $\geq 76N$   
 DURABILITY:  $\geq 750$  TIMES

#### MATERIAL

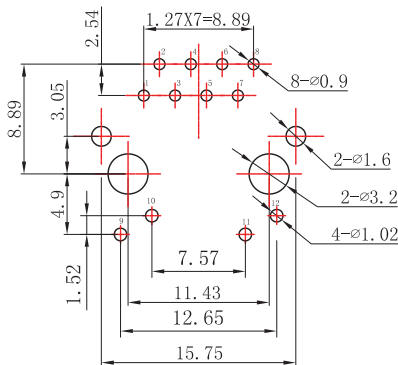
HOUSING: PA6T OR PBT FILLED WITH FIBERGLASS  
 INSERT MATERIAL: PBT FILLED WITH FIBERGLASS  
 SHIELDING: 0.2mm THICKNESS COPPER ALLOY WITH NICKEL PLATED  
 CONTACT: 0.35mm THICKNESS PHOSPHOR BRONZE, HARD GOLD PLATED OVER TIN  
 GOLD PLATING:  $< 3\mu$  "INCH  $\square$   $3\mu$  "INCH  $\square$   $6\mu$  "INCH  $\square$   
 $15\mu$  "INCH  $\square$   $30\mu$  "INCH  $\square$   $50\mu$  "INCH  $\square$

MARKING: MARKING FOLLOW THE CUSTOMER REQUIREMENT

WORKING TEMPERATURE:  $-40^{\circ}C \sim 70^{\circ}C$



PC Board Layout



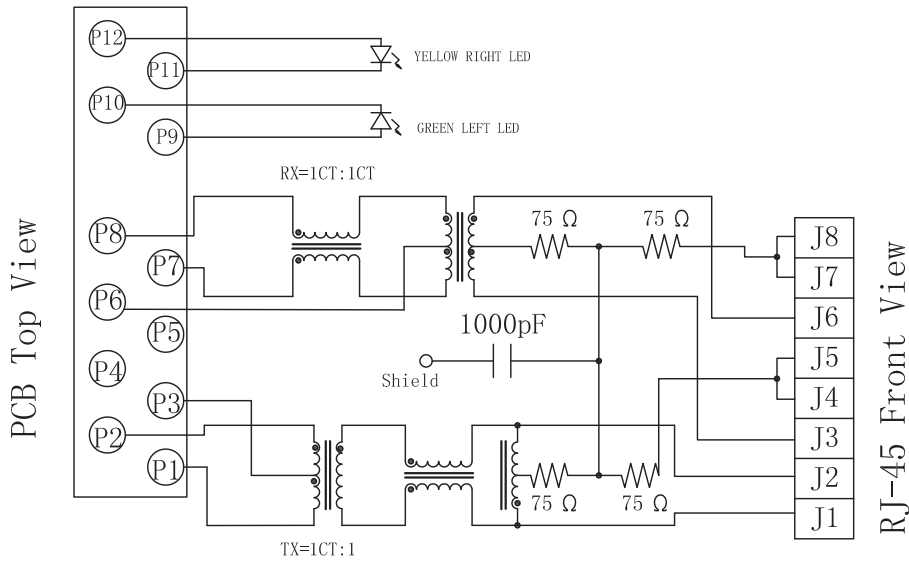
#### Order Information:

SK02- 11 1 006 NL -(Y/N)  
 A B C D E F

- A: It stands for the RJ45 designer: Such as SK or Other, 01 or 02 stands for as followig: 01=Tab up, 02=Tab down
- B: The parts are single or multi-ports: such as SK01-11xxxx, it means 1x1 single port, SK01-21xxxx, means 2x1 or 1x2, it is a dual ports RJ45 filtered connector. "G" the mean is 1000base requirement.
- C: Tells it is a LEDs version or not, "1" means with LEDs, "0" or else there is without LEDs.
- D: It stands for the Parts's series No.
- E: NL=RoHS Complaint.
- F: Contact Plating Code: Normal type is No Mark, it stands the Contact Area of Contact Pin is 6U" Gold Plating. More than 6U" need Mark 15 or 30 or 50, etc.

# SK02-111006NL

## RJ45



ALL THE RAW MATERIALS MEET RoHS STANDARD

ELECTRICAL SPECIFICATIONS: @25°C unless otherwise noted

- 1.0 TURNS RATIO: TX= 1CT: 1 ± 5%  
RX=1CT: 1CT ± 5%
- 2.0 OCL : 350uH MIN @0.1V, 100KHZ, 8mA DC BIAS
- 3.0 Cww: 28 pF Max
- 4.0 L. L : 0.4 uH MAX
- 5.0 Rise Time:  
10-90% 2.5 nS Typ
- 6.0 RETURN LOSS: 30MHZ : -16dB MIN  
40MHZ : -14dB MIN  
50MHZ : -13.5dB MIN  
60MHZ : -13dB MIN  
80MHZ : -10dB MIN
- 7.0 INSERTION LOSS:  
0.3 MHZ TO 100MHZ : -1.15dB MAX
- 8.0 HI-POT : 1500Vrms 6s
- 9.0. Cross Talk: 0.3MHZ TO 30 MHZ : -40dB MIN  
30 MHZ TO 60 MHZ : -35dB MIN  
60 MHZ TO 100 MHZ : -30dB MIN
10. CMR:  
1 MHZ TO 30 MHZ : -30 dB Min  
30 MHZ TO 60 MHZ : -25 dB Min  
60 MHZ TO 125 MHZ : -20 dB Min