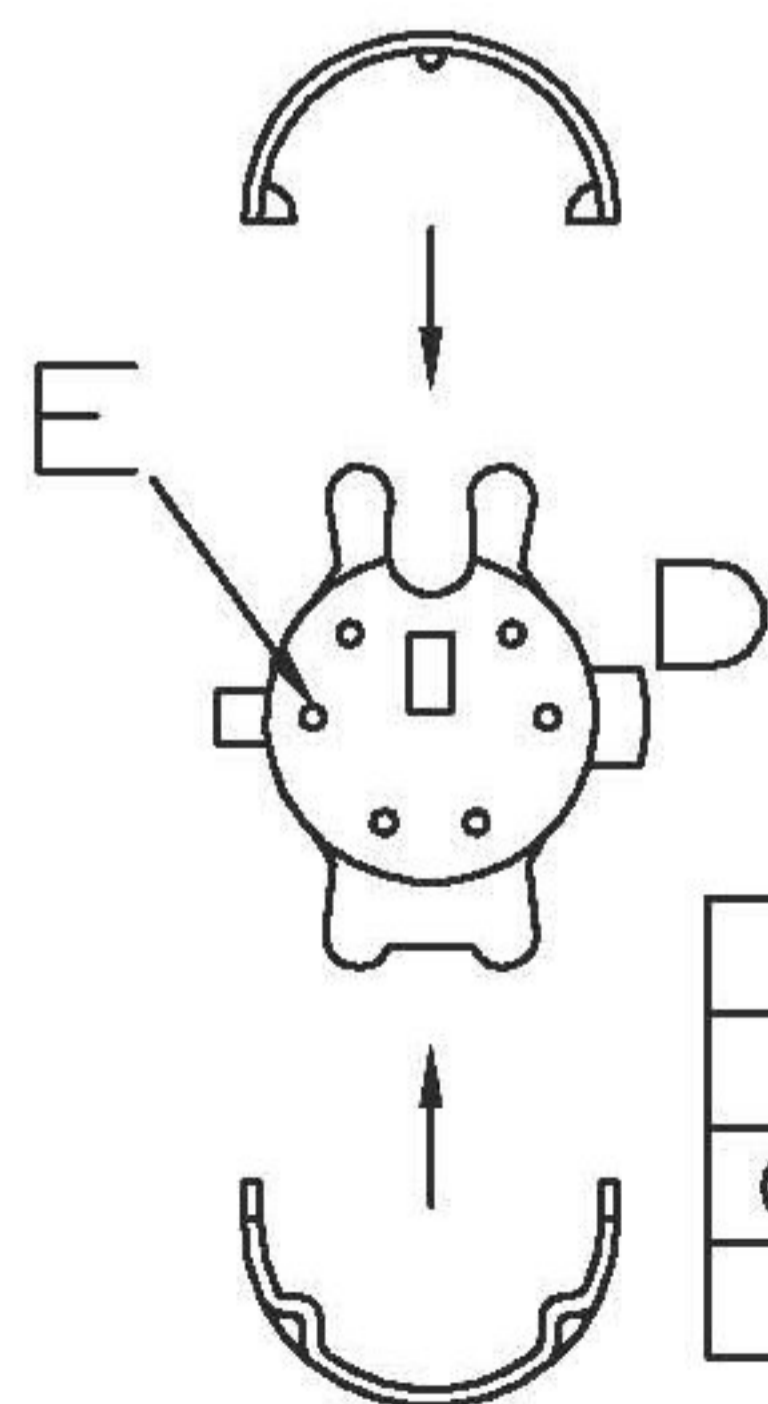


RoHS Compliant



- SPECIFICATIONS:**
1. RATION: 100V AC 1A MAX
 2. INSULATION RESISTANCE: 50M OHM MIN AT 500V DC.
 3. DIELECTRIC STRENGTH: 500V AC / 1 MINUTE.
 4. INSERTION FORCE: 4.5KG MAX.
 5. WITHDRAWAL FORCE: 0.9KG ~ 3KG.

	7.0φ BACK SHELL
	6.0φ BACK SHELL
○	5.0φ BACK SHELL (STANDARD)
	COVER DIM.

TABLE A

MATERIAL:
 A. COVER: EVA + PE(2L)
 B. SHELL: ABS(475)
 C. METAL SHIELD:
 BRASS NICKEL PLATED
 D. HOUSING: NY6+FB(PA-1010C2)
 E. CONTACT:
 BRASS SILVER PLATED

TOLERANCES		PART NUMBER	
.x± 0.2 .xxx±		62000SER	
.xx± 0.1 ANGLES		DESCRIPTION	
DRAFT		Mini Din plug	
W.RAY		Ass'y Type	
CHECK		REV.	
JANNE HUNG		120715'	
APPROVAL		SHEET	
DANNY HSU		1/1	