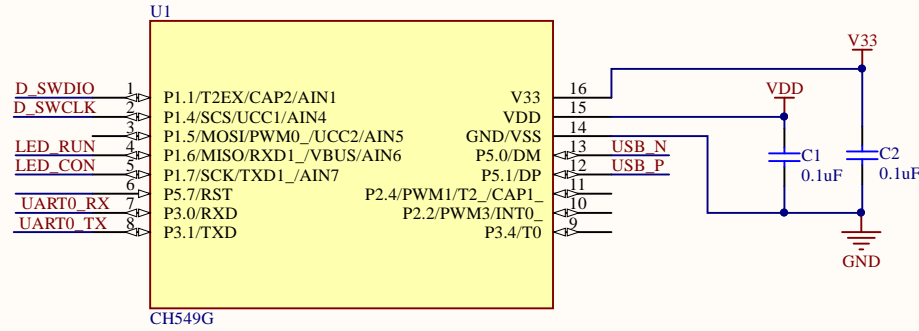
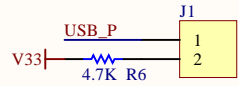


MCU

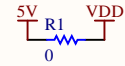
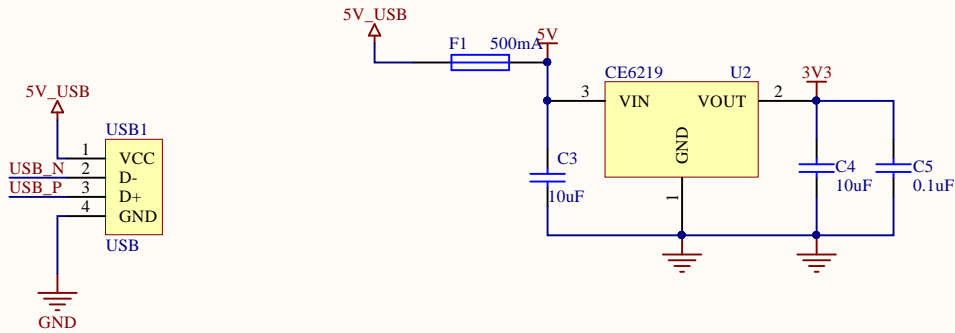


0.1uF电容尽量靠近芯片引脚，默认内部晶振

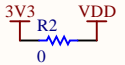


下载触发

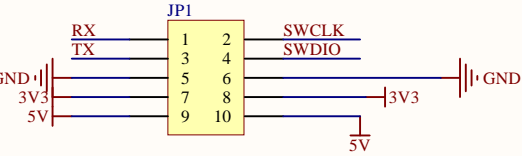
POWER



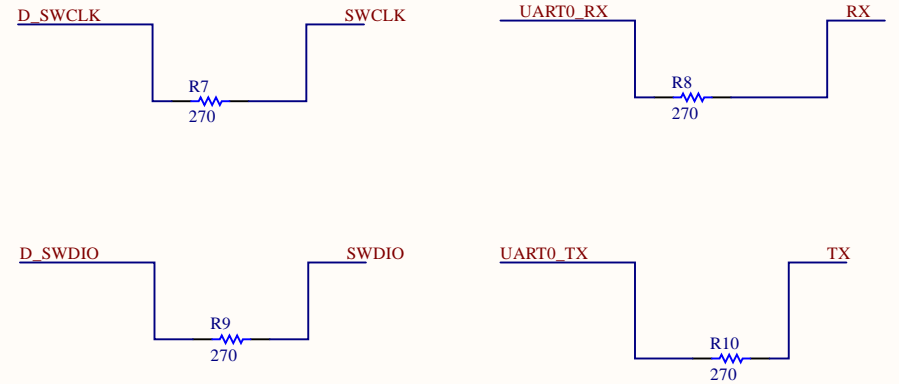
5V供电用



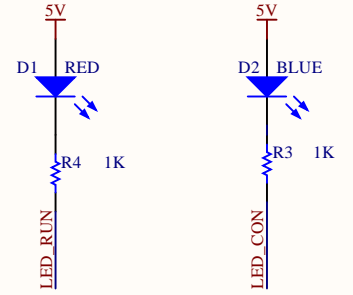
3.3V供电用



HEADER



LED



Title		
Size	Number	Revision
A4		
Date:	2021/1/4	Sheet of
File:	D:\WCH\...\WCH-Link-R1-1v1.SchDoc	Drawn By: