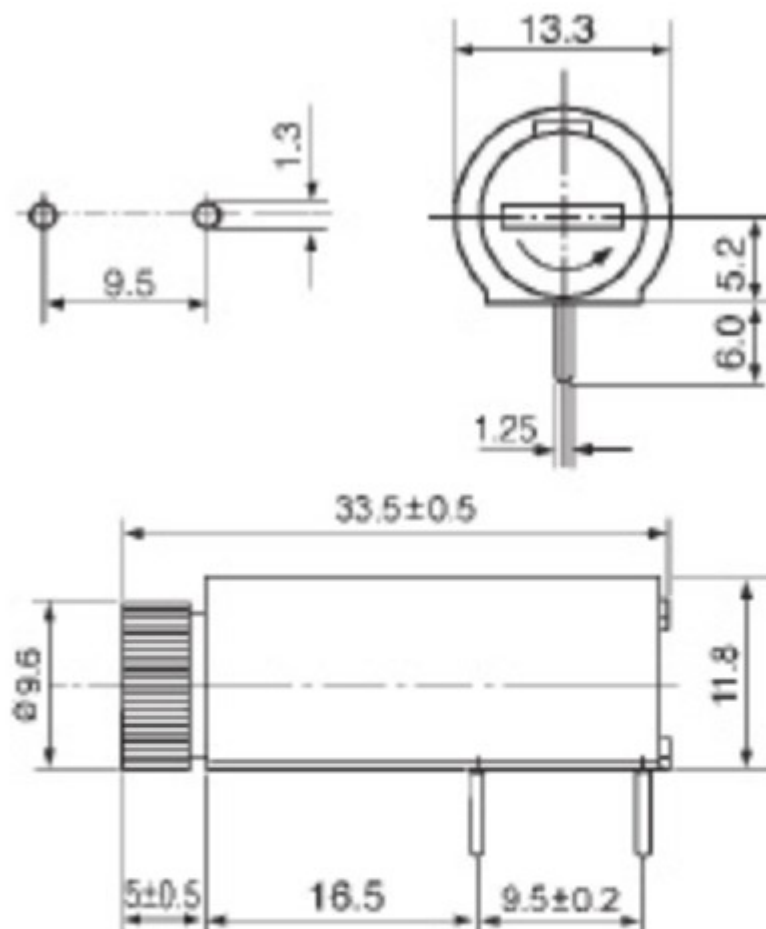


## Product details:



Suitable fuse:  $\varnothing 5.2 \times 20\text{mm}$

Maximum rated value: 10A. 250V. AC

Holder: ABS/PC Metal

Pole: Silver-plating brass