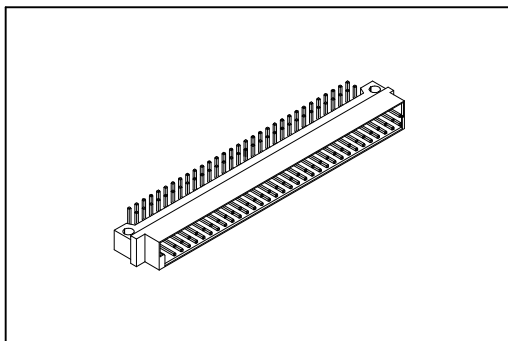


9001 Series

DIN41612 B Type Male



Material:

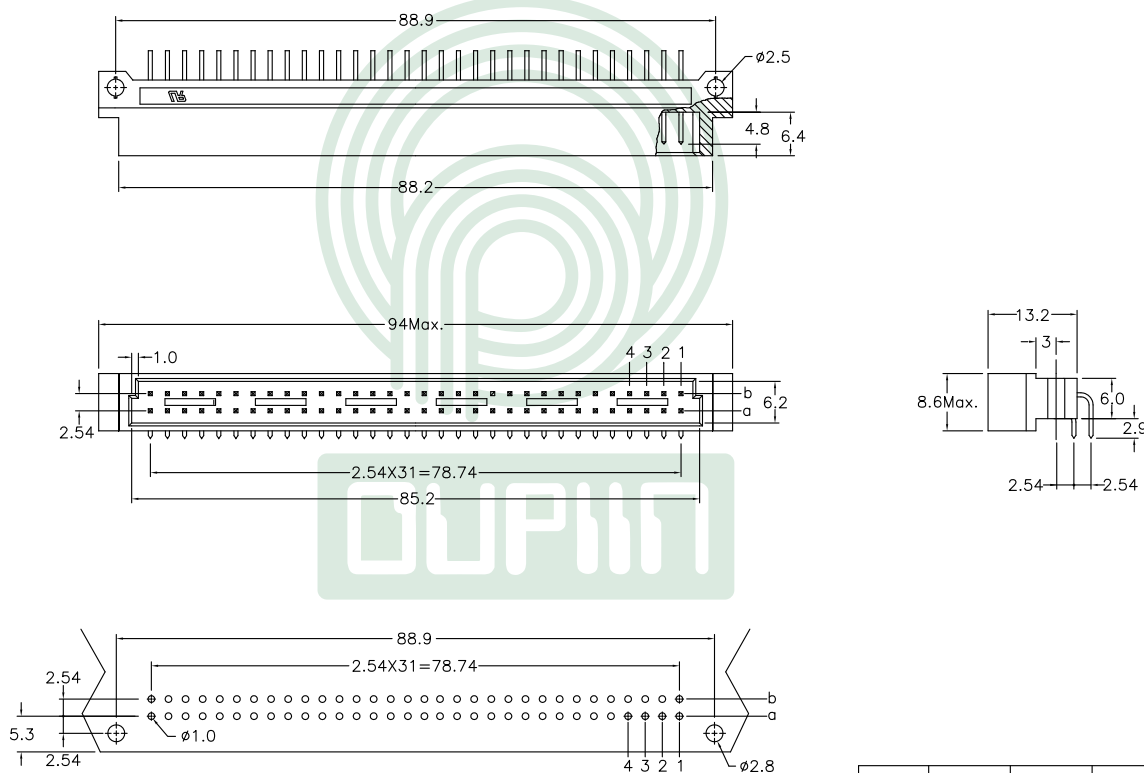
Housing: Thermoplastic Polyester Glass Filled UL94V-0.
Contacts: Copper Alloy.

Electrical Characteristics:

Current Rating: 2 A.
Dielectric Withstanding Voltage: AC 1000V.
Insulator Resistance: 1000MΩ min.
Contact Resistance: 20mΩ max.
Operating Temperature: -55°C ~ +125°C.

Features:

- * Mates with Female 2Row
9001-3264,3232 B Type.
9001-3464,3432 Q Type.
9001-3264 IDC Type.



P.C. Board Layout

Pitch	Position	Rows with Contacts	Contact Arrange
2.54mm	64	a b	 4 3 2 1
	32	a -	 4 3 2 1
5.08mm	32	a b	 4 3 2 1
	16	a -	 4 3 2 1

Ordering information

9001- Series
 3 3: 2.54mm
4: 5.08mm
 1 1: Male
 64 Position
 1 1: Dip Length
 C C: Selective Gold Plated
 ***00** 00: G/F
 L1 Blank: W/O Lock
L1: With Lock
See Page CC02
 A A: Tray Package

*Additional plating options available

9001 Series

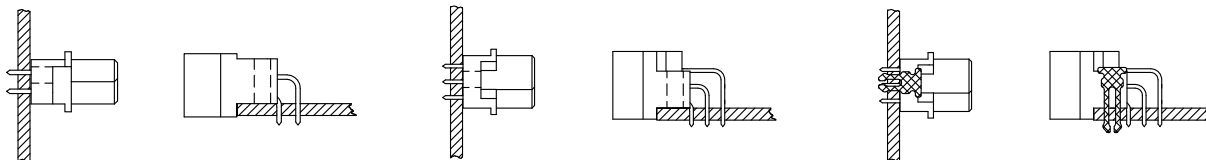
DIN41612 Mating Introduce



2 Row insulator
 B (Standard mounting)
 Mounting axis
 of the connector

3 Row insulator
 C (Standard mounting)
 Mounting axis
 of the connector

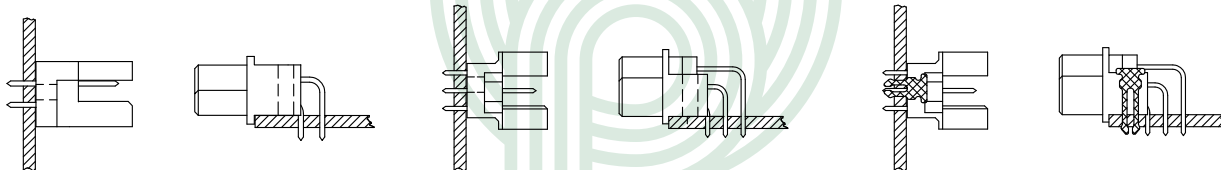
Board lock available
 L1=P.C.B. Thickness 1.6 ~2.0 mm
 L2=P.C.B. Thickness 2.8 ~3.2 mm



Q (Reverse mounting)
 Mounting axis
 of the connector

R (Reverse mounting)
 Mounting axis
 of the connector

Board lock available
 L1=P.C.B. Thickness 1.6 ~2.0 mm
 L2=P.C.B. Thickness 2.8 ~3.2 mm



I.D.C. Type Ribbon Cable

Press Fit Type
 2 Row insulator

3 Row insulator

2 Row insulator

3 Row insulator

