

AAG60 Series



Product Features:

- Input voltage:220-240Vac
- IP65
- Flicker-free design with metal case isolation
- It has short circuit, over-current, over-voltage, and over-temperature protection

Technical data

Product Model	Output Power (W)	Input Voltage (Vdc)	Output Voltage (Vdc)	Maximum Output Constant Current (mA)	PF	Current Accuracy (typ.)	Max Eff
AAG60-C0350	60	220-240	90-180	350	0.95	±5%	89%
AAG60-C0700	60	220-240	40-85	700	0.95	±5%	90%

※If you have other parameter requirements, you can consult the corresponding sales staff

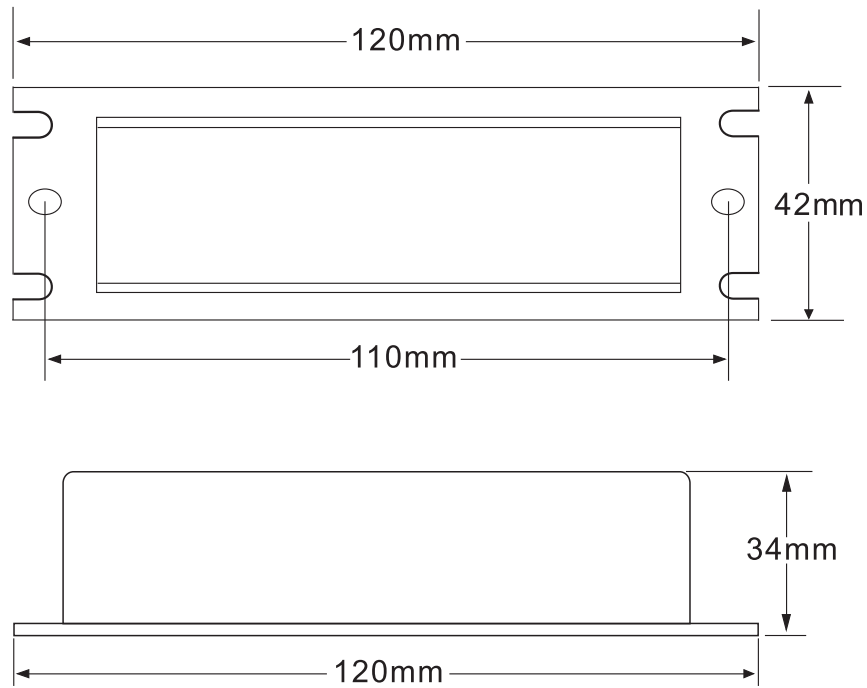
Technical data

Electrical Specifications

category	Item	Technical Indicators
Input	Rated operating voltage	220-240VAC
	Limit voltage range	198-264VAC
	Operating frequency	50/60Hz
	Input current	≤0.26A(198VAC,full load)
	Input power	≤65W(230VAC,full load)
	Power factor	≥0.95(230VAC,full load)
	harmonic wave	≤10% (230VAC,full load)
	No-load power consumption	≤0.5W
Output	Current accuracy	±5%
	Maximum output power	60W
	Startup delay	≤0.5S(230VAC,full load)
	Ripple current	<±3% Output cuttrnt
Protection	Short Circuit Protection	Auto Recovery
	Overload Protection	Auto Recovery
	No-load Protection	Auto Recovery
	Insulation voltage	3750Vac/1min
	Surge	L-N/2KV
Environment	Operation Temperature	-25....+50°C
	Storage Temperature	-40....+85°C
	Enclosure Temperature	90°C
	Humidity	10%....90%RH
Installation	Connection Method	Waterproof wire
	Installation	Independent external
	Input wire specification	150mm waterproof cable
	Output wire specification	150mm waterproof cable
	Dimension	120*42*34mm
Standards	Input wire specification	AC input for connection the three cores copper wire connection. 3x0.75mm ² Rubber 300V Brown、 Blue、 Green\Yellow Cable Length: 300mm, stripping on the tin: 10mm. L — Brown wire, N — Blue wire, GND — Yellow/Green wire
	Output wire specification	DC output for connection the two core copper wire. 2x0.5mm ² Rubber 300V Brown、 Blue Cable Length: 200mm, stripping on the tin: 10mm. Where: DC+ — Brown wire, DC- — Blue wire

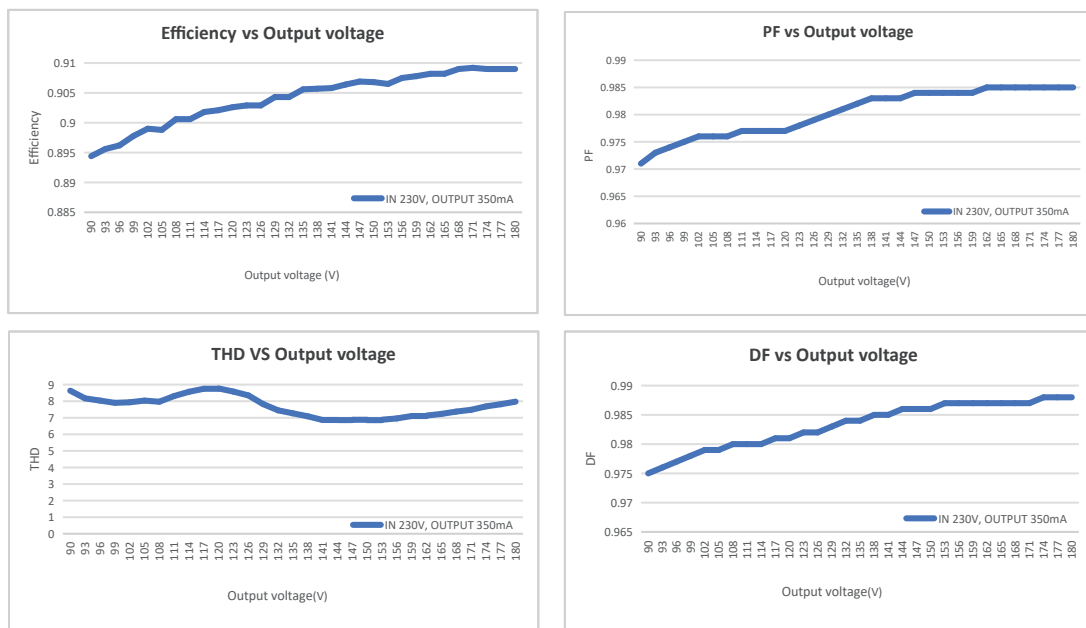
Product datasheet

Exterior dimensions (unit: mm)



Electrical curves

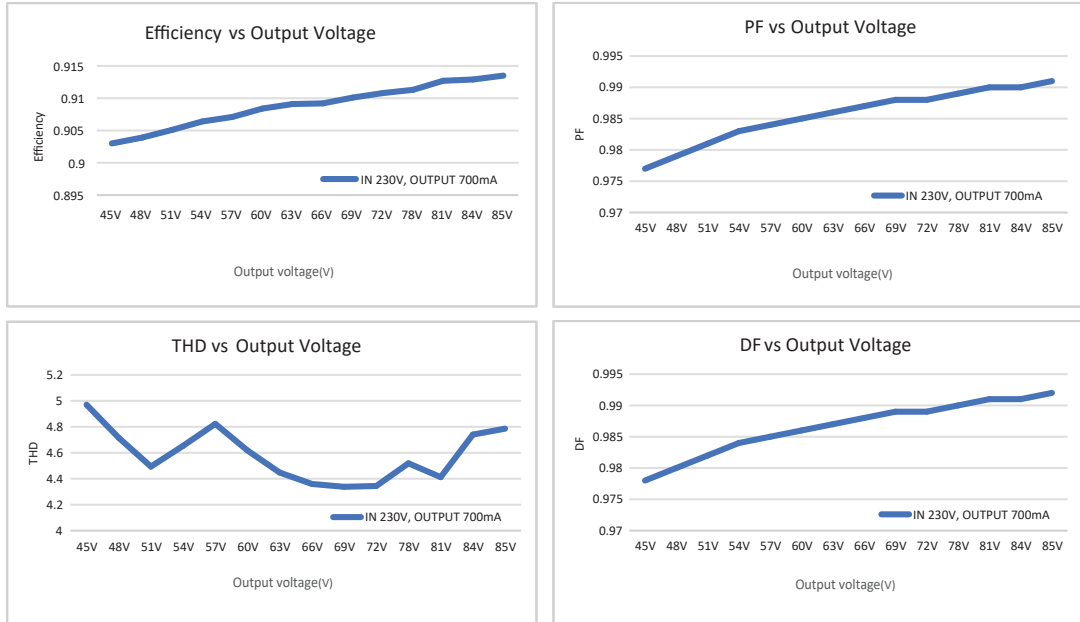
AAG60-C350



Product datasheet

Electrical curves

AAG60-C700



Life curve graph

