

2SC5904

Silicon NPN triple diffusion mesa type

For Horizontal deflection output for TV, CRT monitor

■ Features

- High breakdown voltage ($V_{CBO} \geq 1700 \text{ V}$)
- High-speed switching ($t_f < 200 \text{ nsec}$)
- Wide safe operation area

■ Absolute Maximum Ratings $T_C = 25^\circ\text{C}$

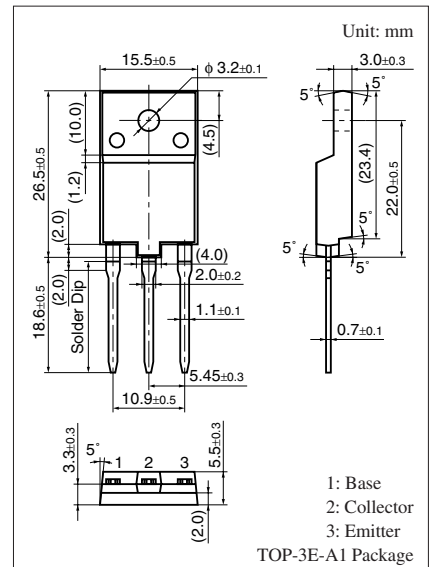
Parameter	Symbol	Rating	Unit
Collector-base voltage (Emitter open)	V_{CBO}	1700	V
Collector-emitter voltage (E-B short)	V_{CES}	1700	V
Collector-emitter voltage (Base open)	V_{CEO}	600	V
Emitter-base voltage (Collector open)	V_{EBO}	7	V
Base current	I_B	8	A
Collector current	I_C	17	A
Peak collector current *	I_{CP}	27	A
Collector power dissipation	P_C	65	W
	$T_a = 25^\circ\text{C}$	3.5	
Junction temperature	T_j	150	$^\circ\text{C}$
Storage temperature	T_{stg}	-55 to +150	$^\circ\text{C}$

Note) *: Non-repetitive peak collector current

■ Electrical Characteristics $T_C = 25^\circ\text{C} \pm 3^\circ\text{C}$

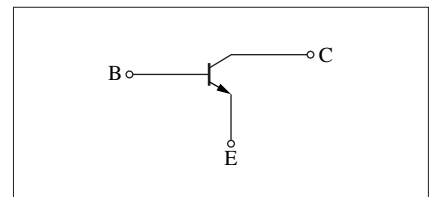
Parameter	Symbol	Conditions	Min	Typ	Max	Unit
Collector-base cutoff current (Emitter open)	I_{CBO}	$V_{CB} = 1000 \text{ V}, I_E = 0$			50	μA
		$V_{CB} = 1700 \text{ V}, I_E = 0$			1	mA
Emitter-base cutoff current (Collector open)	I_{EBO}	$V_{EB} = 7 \text{ V}, I_C = 0$			50	μA
Forward current transfer ratio	h_{FE}	$V_{CE} = 5 \text{ V}, I_C = 8.5 \text{ A}$	5		12	—
Collector-emitter saturation voltage	$V_{CE(sat)}$	$I_C = 8.5 \text{ A}, I_B = 2.13 \text{ A}$			3	V
Base-emitter saturation voltage	$V_{BE(sat)}$	$I_C = 8.5 \text{ A}, I_B = 2.13 \text{ A}$			1.5	V
Transition frequency	f_T	$V_{CE} = 10 \text{ V}, I_C = 0.1 \text{ A}, f = 0.5 \text{ MHz}$		3		MHz
Storage time	t_{stg}	$I_C = 8.5 \text{ A}, \text{Resistance loaded}$			3.0	μs
Fall time	t_f	$I_{B1} = 2.13 \text{ A}, I_{B2} = -4.25 \text{ A}$			0.2	μs

Note) Measuring methods are based on JAPANESE INDUSTRIAL STANDARD JIS C 7030 measuring methods for transistors.

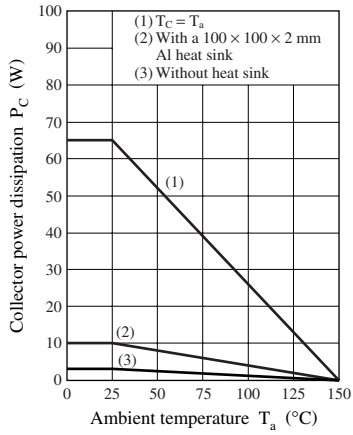


Marking Symbol: C5904

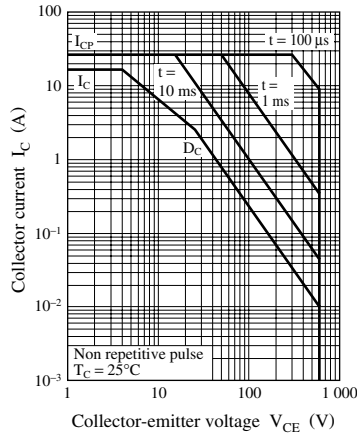
Internal Connection



$P_C - T_a$



Safe operation area



Safe operation area (Horizontal operation)

