



Breakthrough in performance, flexibility and reliability

Xitanium Constant Current Xtreme

Xitanium Xtreme LED drivers provide constant current output, optimal for a single string of LEDs. With exceptional operating efficiency, our drivers significantly reduce energy costs. The Xitanium Xtreme portfolio offers both central and standalone dimming protocols further increasing the energy savings and CO₂ reductions achieved with LED lighting. The fully programmable drivers deliver all dimming options and a range of currents in a single driver. System reliability is maximized with intelligent temperature monitoring of the LED light engine. The full portfolio offers maximum flexibility with customizable operating settings, delivering optimal performance tailored for each design.

Benefits

- Design flexibility - one driver can be programmed for many different luminaire designs
- Improved logistics and stock management
- Peace of mind on product performance

Features

- Xtreme standard: Long lifetime, robust protection against moisture, vibration and temperature extremes
- Module temperature protection
- Adjustable output current
- Constant Light Output
- Multiple dimming protocols

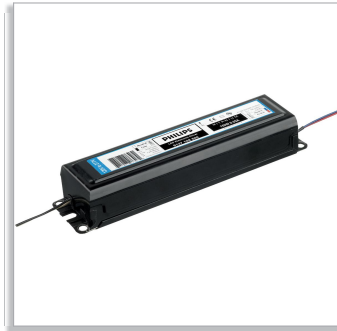
Application

- Urban street lighting
- Functional road & tunnel lighting
- Area and flood illumination

Related products



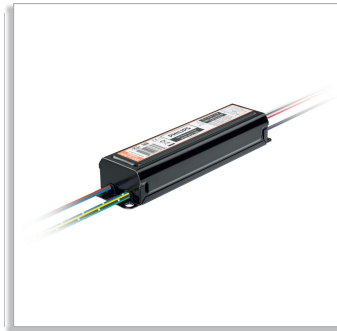
Titanium 75W 0.7A AOCM 1-10V GL-Y sXt



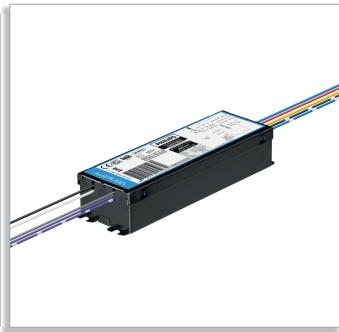
Titanium 150 W sXt



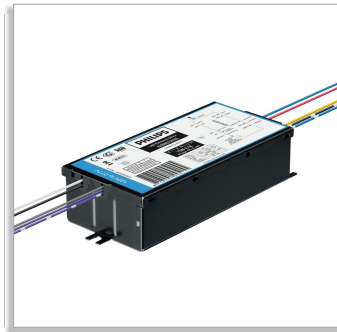
Titanium 75W, 150 W sXt



Titanium 75 W, 150 W .35/41/53 sXt



Titanium 40W 0.70A, 0.53A Programmable



Titanium 75W 0.70A, 100W 0.53A Programmable



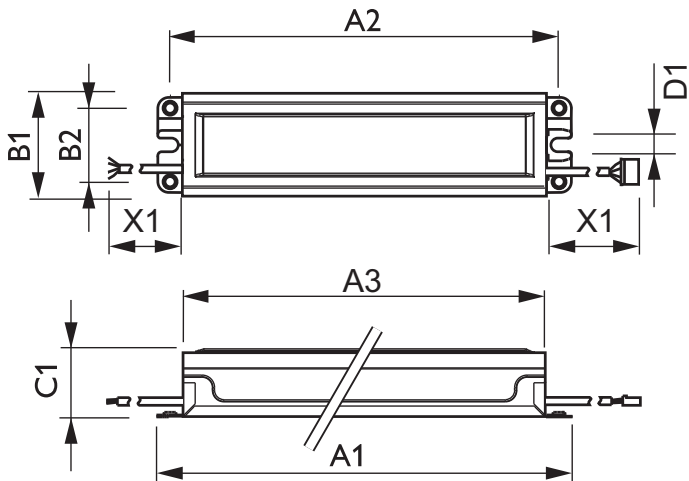
Titanium 150W 0.7A, 0.20-0.35A Programmable+ sXt



Titanium 75 & 150 W Programmable

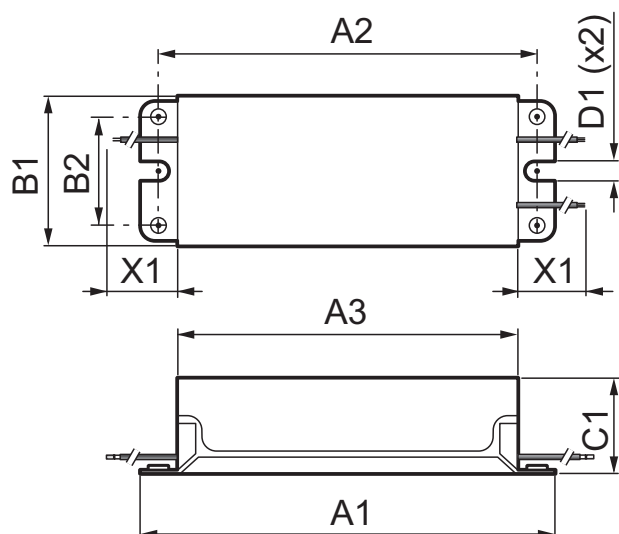
Dimensional drawing

Dimensional drawing



Xtitanium 150W 0.70A 1-10V 230V sXt

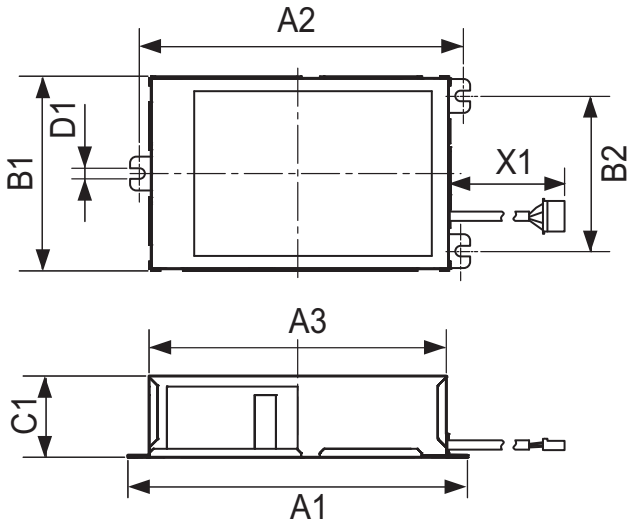
Product	A1 (Norm)	A2 (Norm)	A3 (Norm)	B1 (Norm)	B2 (Norm)	C1 (Norm)	D1 (Norm)	X1 (Norm)
Xtitanium 150W 0.70A 1-10V 230V sXt	240.5	226.2	211.1	59.1	42.9	37.1	8.0	280
Xtitanium 75W .35/.41/.53A 1-10V 230V sXt	240.5	226.2	211.1	59.1	42.9	37.1	8	500
Xtitanium 75W .35/.41/.53A LS 230V sXt	240.5	226.2	211.1	59.1	42.9	37.1	8	500
Xtitanium 150W .35/.41/.53 1-10V 230V sXt	240.5	226.2	211.1	59.1	42.9	37.1	8	500
Xtitanium 150W .35/.41/.53A LS 230V sXt	240.5	226.2	211.1	59.1	42.9	37.1	8	500
Xtitanium 150W 0.35A 1-10V 230V sXt	240.5	226.2	211.1	59.1	42.9	37.1	8.0	280
Xtitanium 150W 0.35A 230V sXt	240.5	226.2	211.1	59.1	42.9	37.1	8	280
Xtitanium 150W 0.70A 230V sXt	240.5	226.2	211.1	59.1	42.9	37.1	8	280
Xtitanium 150W 0.35-0.7A GL Prog sXt	240.5	226.2	211.1	59.1	42.9	37.1	8	500
Xtitanium 75W 0.35-0.7A GL Prog sXt	240.5	226.2	211.1	59.1	42.9	37.1	8	500
Xtitanium 150W 1.05A 1-10V 230V sXt	240.5	226.2	211.1	59.1	42.9	37.1	8	270
Xtitanium 150W 1.05A 1-10V 230V sXt	240.5	226.2	211.1	59.1	42.9	37.1	8	270
Xtitanium 75W 0.35-0.7A GL Prog+ sXt	240.5	226.2	211.1	59.1	42.9	37.1	8.0	500
Xtitanium 150W 0.35-0.7A GL Prog+ sXt	240.5	226.2	211.1	59.1	42.9	37.1	8.0	500
Xtitanium 75W 0.70A 1-10V 230V sXt	240.5	226.2	211.1	59.1	42.9	37.1	8.0	500
Xtitanium 75W 0.1-1.05A Prog+ sXt	240.5	226.2	211.1	59.1	42.9	37.1	8.0	500
Xtitanium 150W 0.1-1.05A Prog+ sXt	240.5	226.2	211.1	59.1	42.9	37.1	8.0	500



Dimensional drawing

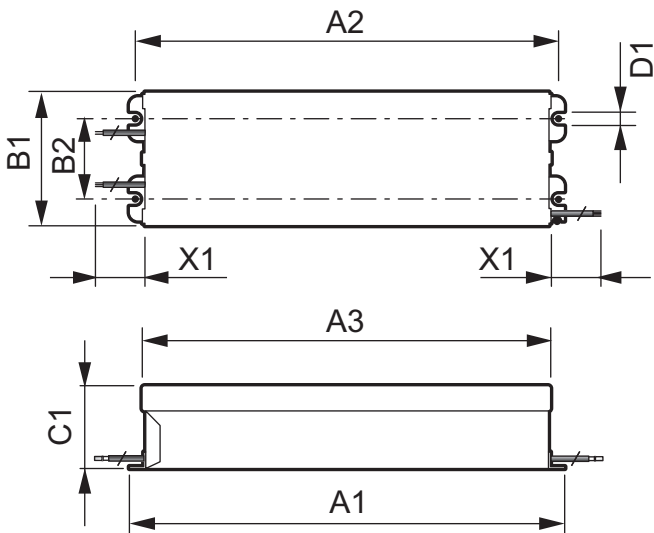
Xtitanium 75W 0.7A AOCM 1-10V GL-Y sXt

Product	A1 (Norm)	A2 (Norm)	A3 (Norm)	B1 (Norm)	B2 (Norm)	C1 (Norm)	D1 (Norm)	X1 (Norm)
Xtitanium 75W 0.7A AOCM 1-10V GL-Y sXt	167.5	151.6	138.1	59.1	42.9	37.7	8.0	500



Xtitanium 150W 0.20-0.35A Prog+ GL-H sXt

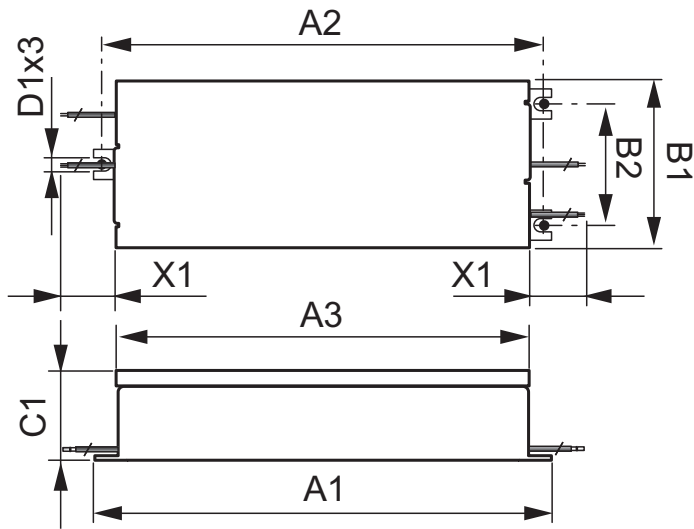
Product	A1 (Norm)	A2 (Norm)	A3 (Norm)	B1 (Norm)	B2 (Norm)	C1 (Norm)	D1 (Norm)	X1 (Norm)
Xtitanium 150W 0.20-0.35A Prog+ GL-H sXt	161.0	152	144.0	92	73	38	5.0	485
Xtitanium 150W 0.7A Prog+ 230V-H sXt	161.0	152	144.0	92	73	38	5.0	485



Xtitanium 40W 0.70A Prog+ GL-J sXt

Product	A1 (Norm)	A2 (Norm)	A3 (Norm)	B1 (Norm)	B2 (Norm)	C1 (Norm)	D1 (Norm)	X1 (Norm)
Xtitanium 40W 0.70A Prog+ GL-J sXt	148.2	144.2	139.3	45.6	27.4	28.3	5.0	275
Xtitanium 40W 0.53A Prog+ GL-J sXt	148.2	144.2	139.3	45.6	27.4	28.3	5.0	275

Dimensional drawing



Titanium 75W 0.70A Prog+ GL-Z sXt

Product	A1 (Norm)	A2 (Norm)	A3 (Norm)	B1 (Norm)	B2 (Norm)	C1 (Norm)	D1 (Norm)	X1 (Norm)
Xtitanium 75W 0.70A Prog+ GL-Z sXt	165	155	147.4	70	50	38	5.5	275
Xtitanium 100W 0.53A Prog+ GL-Z sXt	165	155	147.4	70	50	38	5.5	275

General Characteristics

Order code	Full product name	IP Classification	Lifetime 90% surv.@Tcaselife
929000708003	Xtitanium 75W 0.7A AOCM 1-10V GL-Y sXt	-	80000 hr
913710850002	Xtitanium 150W 0.35A 230V sXt	IP66	80000 hr
913710859002	Xtitanium 150W 0.70A 230V sXt	IP66	80000 hr
913701211603	Xtitanium 150W 0.70A 1-10V 230V sXt	IP66	80000 hr
913701218202	Xtitanium 150W 0.35A 1-10V 230V sXt	IP66	80000 hr
929000704702	Xtitanium 150W 1.05A 1-10V 230V sXt	IP66	80000 hr
929000704712	Xtitanium 150W 1.05A 1-10V 230V sXt	IP66	80000 hr
929000705503	Xtitanium 75W 0.70A 1-10V 230V sXt	IP66	80000 hr
913701215002	Xtitanium 75W .35/.41/.53A 1-10V 230V sXt	IP66	80000 hr
913701215102	Xtitanium 75W .35/.41/.53A LS 230V sXt	IP66	80000 hr
913701215302	Xtitanium 150W .35/.41/.53 1-10V 230V sXt	IP66	80000 hr
913701215402	Xtitanium 150W .35/.41/.53A LS 230V sXt	IP66	80000 hr
929000708803	Xtitanium 40W 0.70A Prog+ GL-J sXt	-	100000 hr

Order code	Full product name	IP Classification	Lifetime 90% surv.@Tcaselife
929000710303	Xtitanium 40W 0.53A Prog+ GL-J sXt	-	100000 hr
929000710103	Xtitanium 75W 0.70A Prog+ GL-Z sXt	-	100000 hr
929000710403	Xtitanium 100W 0.53A Prog+ GL-Z sXt	-	100000 hr
929000710503	Xtitanium 150W 0.7A Prog+ 230V-H sXt	-	100000 hr
929000702202	Xtitanium 150W 0.35-0.7A GL Prog sXt	IP66	100000 hr
929000702302	Xtitanium 75W 0.35-0.7A GL Prog sXt	IP66	100000 hr
929000704903	Xtitanium 75W 0.35-0.7A GL Prog+ sXt	IP66	100000 hr
929000705103	Xtitanium 150W 0.35-0.7A GL Prog + sXt	IP66	100000 hr
929000707503	Xtitanium 150W 0.20-0.35A Prog+ GL-H sXt	-	100000 hr
929000708903	Xtitanium 75W 0.1-1.05A Prog+ sXt	-	100000 hr
929000709003	Xtitanium 150W 0.1-1.05A Prog+ sXt	-	100000 hr

Operating Characteristics

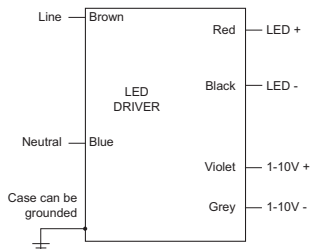
Order code	Full product name	Output Power Range	Output Voltage Range	Output Current Range (mA)	Type of Dimming	Input Voltage Range (AC)	Surge Protection (comm./diff.)
929000708003	Xitanium 75W 0.7A AOCM 1-10V GL-Y sXt	20-75 W	54-107 V	100-700	1-10V	120-277 V	4/4 kV
913710850002	Xitanium 150W 0.35A 230V sXt	42-150 W	120-425 V	350	None	220-240 V	3/3 kV
913710859002	Xitanium 150W 0.70A 230V sXt	42-150 W	60-210 V	700	None	220-240 V	3/3 kV
913701211603	Xitanium 150W 0.70A 1-10V 230V sXt	42-150 W	60-210 V	700	1-10V	220-240 V	3/3 kV
913701218202	Xitanium 150W 0.35A 1-10V 230V sXt	42-150 W	120-425 V	350	1-10V	220-240 V	3/3 kV
929000704702	Xitanium 150W 1.05A 1-10V 230V sXt	42-150 W	40-140 V	710	1-10V	120-277 V	3/3 kV
929000704712	Xitanium 150W 1.05A 1-10V 230V sXt	42-150 W	40-140 V	710	1-10V	120-277 V	3/3 kV
929000705503	Xitanium 75W 0.70A 1-10V 230V sXt	21-75 W	30-107 V	700	1-10V	220-240 V	4/4 kV
913701215002	Xitanium 75W .35/.41/.53A 1-10V 230V sXt	21-75 W	60-140 V	350/410/530	1-10V	220-240 V	3/3 kV
913701215102	Xitanium 75W .35/.41/.53A LS 230V sXt	21-75 W	60-140 V	350/410/530	LumiStep	220-240 V	3/3 kV
913701215302	Xitanium 150W .35/.41/.53 1-10V 230V sXt	42-150 W	115-280 V	350/410/530	1-10V	220-240 V	3/3 kV
913701215402	Xitanium 150W .35/.41/.53A LS 230V sXt	42-150 W	115-280 V	350/410/530	LumiStep	220-240 V	3/3 kV
929000708803	Xitanium 40W 0.70A Prog+ GL-J sXt	15-40 W	29-57 V	100-700	1-10V/AmpDim/DALI/Dynadimmer	120-277 V	4/4 kV
929000710303	Xitanium 40W 0.53A Prog+ GL-J sXt	15-40 W	38-77 V	100-530	1-10V/AmpDim/DALI/Dynadimmer	120-277 V	4/4 kV
929000710103	Xitanium 75W 0.70A Prog+ GL-Z sXt	25-75 W	54-107 V	100-700	1-10V/AmpDim/DALI/Dynadimmer	120-277 V	4/4 kV
929000710403	Xitanium 100W 0.53A Prog+ GL-Z sXt	35-100 W	94-189 V	100-530	1-10V/AmpDim/DALI/Dynadimmer	120-277 V	4/4 kV
929000710503	Xitanium 150W 0.7A Prog+ 230V-H sXt	50-150 W	125-280 V	100-700	1-10V/AmpDim/DALI/Dynadimmer	220-240 V	4/4 kV
929000702202	Xitanium 150W 0.35-0.7A GL Prog sXt	30-150 W	125-280 V	Programmable (350-700)	1-10V/AmpDim/DALI/Dynadimmer	120-277 V	3/3 kV
929000702302	Xitanium 75W 0.35-0.7A GL Prog sXt	30-75 W	80-152 V	Programmable (350-700)	1-10V/AmpDim/DALI/Dynadimmer	120-277 V	3/3 kV
929000704903	Xitanium 75W 0.35-0.7A GL Prog+ sXt	30-75 W	80-152 V	Programmable (350-700)	1-10V/AmpDim/DALI/Dynadimmer	120-277 V	4/4 kV
929000705103	Xitanium 150W 0.35-0.7A GL Prog+ sXt	30-150 W	125-280 V	Programmable (350-700)	1-10V/AmpDim/DALI/Dynadimmer	120-277 V	4/4 kV
929000707503	Xitanium 150W 0.20-0.35A Prog+ GL-H sXt	30-150 W	212-425 V	200-350	1-10V/AmpDim/DALI/Dynadimmer	120-277 V	4/4 kV
929000708903	Xitanium 75W 0.1-1.05A Prog+ sXt	25-75 W	36-75 V	100-1050	1-10V/AmpDim/DALI/Dynadimmer	120-277 V	4/4 kV
929000709003	Xitanium 150W 0.1-1.05A Prog+ sXt	75-150 W	70-148 V	100-1050	1-10V/AmpDim/DALI/Dynadimmer	120-277 V	4/4 kV

Wiring Characteristics

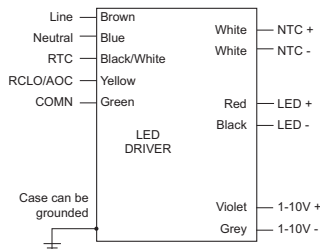
Order code	Full product name	Connection on driver to L2	Input Wire Length	Input Wire Diameter	Control Wire Diameter	Control Wire Length	Output Wire Length	Output Wire Diameter
929000708003	Xitanium 75W 0.7A AOCM 1-10V GL-Y sXt	Wire	270 mm	0.82 mm2	0.82 mm2	270 mm	270 mm	0.82 mm2
913710850002	Xitanium 150W 0.35A 230V sXt	Wire	280 mm	0.82 mm2	mm2	mm	280 mm	0.82 mm2
913710859002	Xitanium 150W 0.70A 230V sXt	Wire	280 mm	0.82 mm2	mm2	mm	280 mm	0.82 mm2
913701211603	Xitanium 150W 0.70A 1-10V 230V sXt	Wire	280 mm	0.82 mm2	0.82 mm2	280 mm	280 mm	0.82 mm2
913701218202	Xitanium 150W 0.35A 1-10V 230V sXt	Wire	280 mm	0.82 mm2	0.82 mm2	280 mm	280 mm	0.82 mm2
929000704702	Xitanium 150W 1.05A 1-10V 230V sXt	Wire	270 mm	0.82 mm2	0.82 mm2	270 mm	270 mm	0.82 mm2
929000704712	Xitanium 150W 1.05A 1-10V 230V sXt	Wire	270 mm	0.82 mm2	0.82 mm2	270 mm	270 mm	0.82 mm2
929000705503	Xitanium 75W 0.70A 1-10V 230V sXt	Wire	500 mm	0.82 mm2	0.82 mm2	500 mm	500 mm	0.82 mm2

Order code	Full product name	Connection on driver to L2	Input Wire Length	Input Wire Diameter	Control Wire Diameter	Control Wire Length	Output Wire Length	Output Wire Diameter
913701215002	Xtanium 75W .35/.41/.53A 1-10V 230V sXt	Wire	500 mm	0.82 mm ²	0.82 mm ²	500 mm	500 mm	0.82 mm ²
913701215102	Xtanium 75W .35/.41/.53A LS 230V sXt	Wire	500 mm	0.82 mm ²	0.82 mm ²	500 mm	500 mm	0.82 mm ²
913701215302	Xtanium 150W .35/.41/.53A 1-10V 230V sXt	Wire	500 mm	0.82 mm ²	0.82 mm ²	500 mm	500 mm	0.82 mm ²
913701215402	Xtanium 150W .35/.41/.53A LS 230V sXt	Wire	500 mm	0.82 mm ²	0.82 mm ²	500 mm	500 mm	0.82 mm ²
929000708803	Xtanium 40W 0.70A Prog+ GL-J sXt	Wire	275.0 mm	0.82 mm ²	0.82 mm ²	275 mm	275.0 mm	0.82 mm ²
929000710303	Xtanium 40W 0.53A Prog+ GL-J sXt	Wire	275 mm	0.82 mm ²	0.82 mm ²	275 mm	275 mm	0.82 mm ²
929000710103	Xtanium 75W 0.70A Prog+ GL-Z sXt	Wire	275.0 mm	0.82 mm ²	0.82 mm ²	275 mm	275.0 mm	0.82 mm ²
929000710403	Xtanium 100W 0.53A Prog+ GL-Z sXt	Wire	275 mm	0.82 mm ²	0.82 mm ²	275 mm	275 mm	0.82 mm ²
929000710503	Xtanium 150W 0.7A Prog+ 230V-H sXt	Wire	485 mm	0.82 mm ²	0.82 mm ²	470 mm	510 mm	0.82 mm ²
929000702202	Xtanium 150W 0.35-0.7A GL Prog sXt	Wire	500 mm	0.82 mm ²	0.82 mm ²	500 mm	500 mm	0.82 mm ²
929000702302	Xtanium 75W 0.35-0.7A GL Prog sXt	Wire	500 mm	0.82 mm ²	0.82 mm ²	500 mm	500 mm	0.82 mm ²
929000704903	Xtanium 75W 0.35-0.7A GL Prog+ sXt	Wire	500 mm	0.82 mm ²	0.82 mm ²	500 mm	500 mm	0.82 mm ²
929000705103	Xtanium 150W 0.35-0.7A GL Prog+ sXt	Wire	500 mm	0.82 mm ²	0.82 mm ²	500 mm	500 mm	0.82 mm ²
929000707503	Xtanium 150W 0.20-0.35A Prog+ GL-H sXt	Wire	485 mm	0.82 mm ²	0.82 mm ²	440 mm	510 mm	0.82 mm ²
929000708903	Xtanium 75W 0.1-1.05A Prog+ sXt	Wire	500 mm	0.82 mm ²	0.82 mm ²	500 mm	500 mm	0.82 mm ²
929000709003	Xtanium 150W 0.1-1.05A Prog+ sXt	Wire	500 mm	0.82 mm ²	0.82 mm ²	500 mm	500 mm	0.82 mm ²

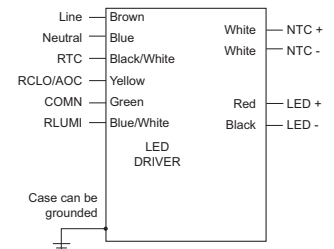
Wiring data



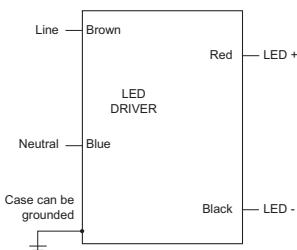
Xtanium 150W 0.35 & 0.70A 1-10V sXt



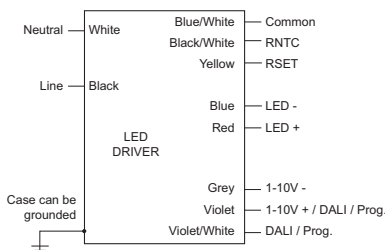
Xtanium 75 & 150W .35/.41/.53A 1-10V sXt



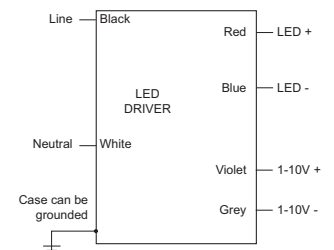
Xtanium 75 & 150W .35/.41/.53A LS sXt



Xtanium 150W 0.35 & 0.70A sXt

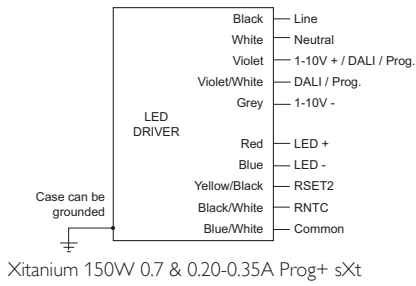


Xtanium 75 & 150W 0.35-0.70A Prog & Prog+ sXt

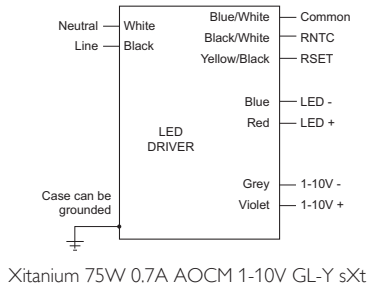


Xtanium 75W 0.70A 1-10V & 150W 1.05A 1-10V sXt

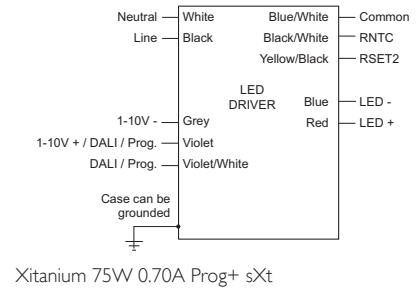
Wiring data



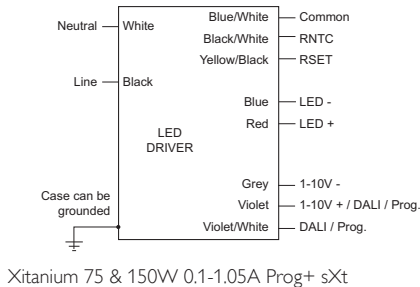
Xtanium 150W 0.7 & 0.20-0.35A Prog+ sXt



Xtanium 75W 0.7A AOCCM 1-10V GL-Y sXt



Xtanium 75W 0.70A Prog+ sXt



Xtanium 75 & 150W 0.1-1.05A Prog+ sXt

Temperature Characteristics

Order code	Full product name	T-case Life-time	T-case maximum	T-ambient	T-Storage	Tc Thermal Cut off Driver	Tc Thermal Cut off Module
929000708003	Xtanium 75W 0.7A AOCCM 1-10V GL-Y sXt	72 C	80 (max) C	-40 (min), 55 (max) C	C	85 C	Programmable
913710850002	Xtanium 150W 0.35A 230V sXt	67 C	80 (max) C	-40 (min), 55 (max) C	C	80 C	-
913710859002	Xtanium 150W 0.70A 230V sXt	67 C	80 (max) C	-40 (min), 55 (max) C	C	80 C	-
913701211603	Xtanium 150W 0.70A 1-10V 230V sXt	67 C	80 (max) C	-40 (min), 55 (max) C	C	80 C	-
913701218202	Xtanium 150W 0.35A 1-10V 230V sXt	67 C	80 (max) C	-40 (min), 55 (max) C	C	80 C	-
929000704702	Xtanium 150W 1.05A 1-10V 230V sXt	67 C	80 (max) C	-40 (min), 55 (max) C	C	80 C	-
929000704712	Xtanium 150W 1.05A 1-10V 230V sXt	67 C	80 (max) C	-40 (min), 55 (max) C	C	80 C	-
929000705503	Xtanium 75W 0.70A 1-10V 230V sXt	67 C	80 (max) C	-40 (min), 55 (max) C	C	80 C	-
913701215002	Xtanium 75W .35/.41/.53A 1-10V 230V sXt	67 C	80 (max) C	-40 (min), 55 (max) C	C	94 C	Programmable
913701215102	Xtanium 75W .35/.41/.53A LS 230V sXt	67 C	80 (max) C	-40 (min), 55 (max) C	C	94 C	Programmable
913701215302	Xtanium 150W .35/.41/.53 1-10V 230V sXt	67 C	80 (max) C	-40 (min), 55 (max) C	C	94 C	Programmable
913701215402	Xtanium 150W .35/.41/.53A LS 230V sXt	67 C	80 (max) C	-40 (min), 55 (max) C	C	94 C	Programmable
929000708803	Xtanium 40W 0.70A Prog+ GL-J sXt	74 C	80 (max) C	-40 (min), 55 (max) C	C	85 C	Programmable
929000710303	Xtanium 40W 0.53A Prog+ GL-J sXt	74 C	80 (max) C	-40 (min), 55 (max) C	C	85 C	Programmable
929000710103	Xtanium 75W 0.70A Prog+ GL-Z sXt	68 C	80 (max) C	-40 (min), 55 (max) C	C	85 C	Programmable
929000710403	Xtanium 100W 0.53A Prog+ GL-Z sXt	66 C	80 (max) C	-40 (min), 55 (max) C	C	85 C	Programmable
929000710503	Xtanium 150W 0.7A Prog+ 230V-H sXt	67 C	80 (max) C	-40 (min), 55 (max) C	C	87 C	Programmable
929000702202	Xtanium 150W 0.35-0.7A GL Prog sXt	71 C	80 (max) C	-40 (min), 55 (max) C	C	92 C	Programmable
929000702302	Xtanium 75W 0.35-0.7A GL Prog sXt	71 C	80 (max) C	-40 (min), 55 (max) C	C	92 C	Programmable
929000704903	Xtanium 75W 0.35-0.7A GL Prog+ sXt	70 C	80 (max) C	-40 (min), 55 (max) C	C	89 C	Programmable
929000705103	Xtanium 150W 0.35-0.7A GL Prog+ sXt	70 C	80 (max) C	-40 (min), 55 (max) C	C	87 C	Programmable
929000707503	Xtanium 150W 0.20-0.35A Prog+ GL-H sXt	70 C	80 (max) C	-40 (min), 55 (max) C	C	87 C	Programmable
929000708903	Xtanium 75W 0.1-1.05A Prog+ sXt	70 C	80 (max) C	-40 (min), 55 (max) C	C	87 C	Programmable
929000709003	Xtanium 150W 0.1-1.05A Prog+ sXt	70 C	80 (max) C	-40 (min), 55 (max) C	C	87 C	Programmable



© 2013 Koninklijke Philips Electronics N.V.
All rights reserved.

Specifications are subject to change without notice. Trademarks are the property of Koninklijke Philips Electronics N.V. or their respective owners.

www.philips.com/lighting

2013, January 1
data subject to change