

PMC-1401TS



PMC-1401TS

Standard SMD Reed Switch
pitch 17.0 mm

Electrical Characteristics @ 25 °C

| | | |
|-----------------------------------|--------|------------------|
| Contact form | | A |
| Contact material | | Ru |
| Contact rating max. | W / VA | 10 |
| Switching voltage max. | VDC | 200 |
| | VAC | 140 |
| Switching current max. | A | 1 |
| Carry current max. | A | 1.2 |
| Breakdown voltage min. | VDC | 240 |
| Contact resistance max. (initial) | mΩ | 150 |
| Insulation resistance min. | Ω | 10 ¹⁰ |

Magnetical Characteristics (of unmodified Reed Switch) @ 25 °C

| | | |
|--------------------------|------|---------|
| Pull in range available | AT | 10 - 25 |
| Drop out min. | AT | 4 |
| Test coil | TC | 014 |
| Test equipment tolerance | ± AT | 2 |

Operating Characteristics @ 25 °C

| | | |
|----------------------------------|----|------|
| Switching frequency max. | Hz | 500 |
| Resonant frequency typ. | Hz | 4000 |
| Operate time max. (incl. bounce) | ms | 1 |
| Release time max. | ms | 0.4 |

Environmental Characteristics

| | | |
|----------------------------|----|-------------|
| Operating temperature | °C | -60 to +155 |
| Storage temperature | °C | -60 to +155 |
| Soldering temperature max. | °C | 300 |
| Vibration (50-2000 Hz) | g | 20 |
| Shock (1/2 sin 11 ms) | g | 100 |
| Lead tensile strength min. | kg | 4 |

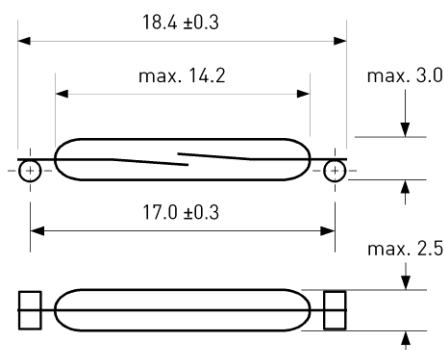
Features

- > Small size
- > Minimum height above PCB
- > Suitable for lead-free soldering
- > Over 1 billion reliable operations at dry circuits or low level loads
- > Perfect economical alternative to Hall switches
- > Suitable for automated assembly
- > Tape & reel packaging

Approvals



Dimensions in mm



Position of contact blades not defined.

Ordering Information

| | |
|--------------------|-----------|
| Packing Unit | 2500 pcs |
| Weight per piece | 0.12 g |
| Weight per package | 1150 g |
| Reel size | 13 inches |
| Standard AT ranges | |

10 to 15 AT
15 to 20 AT
20 to 25 AT

Ordering example

PMC-1401TS1520 describes
PMC-1401TS with 15 to 20 AT.

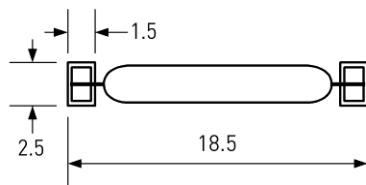
PMC-1401TS



PMC-1401TS

Standard SMD Reed Switch
pitch 17.0 mm

Recommended PCB Layout in mm

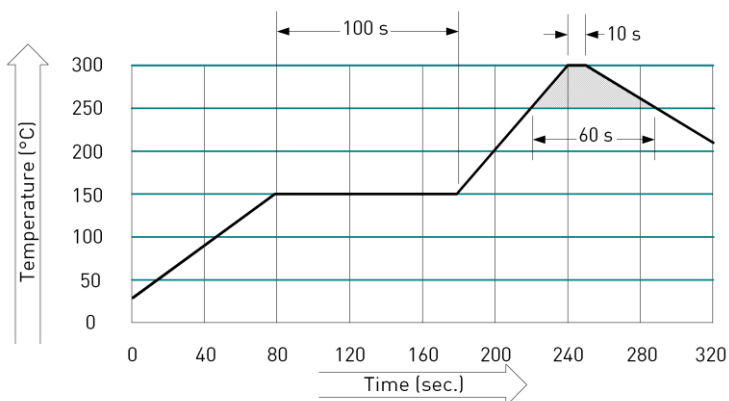


Pad sizes



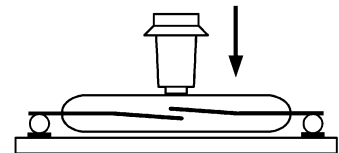
Final assembly position

Soldering Information



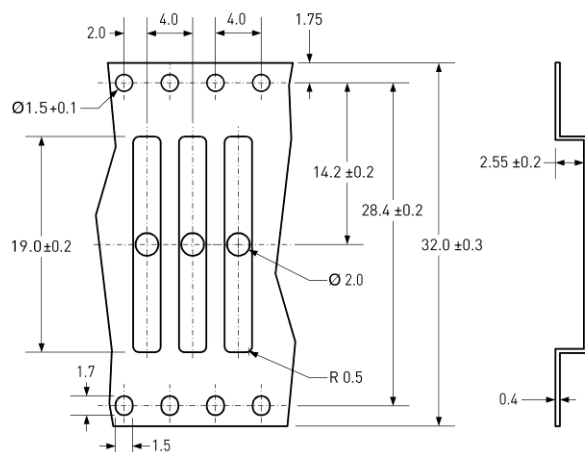
Mounting Force

| | |
|----------------------------|-----|
| Recommended Mounting Force | 3 N |
| Maximum Mounting Force | 8 N |



Tape Dimensions in mm

Tolerance ± 0.1 unless otherwise specified



Remarks

When placed onto ferromagnetic parts switching distance of PMC-1401TS may reduce.

Electromagnetical influences and magnetic fields may change the switching behaviour of the SMD Reed Switch.