

# SPECIFICATION

# 产品规格书

REFOND P/N 产品型号

RF-K\*TP32DS-AF-2J

R&D 研发

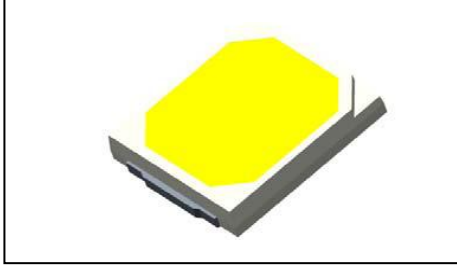
Mass Product 量产供货

## Contents 目录

1. Description 产品介绍.....	3
1.1 General Description 产品描述.....	3
1.2 Features 产品特征.....	3
1.3 Application 产品应用.....	3
1.4 Product Nomenclature 产品命名规则.....	4
1.5 Package Dimension 封装尺寸.....	5
1.6 Product Parameters 产品参数.....	6
1.7 Binning Rules 分 BIN 规则.....	8
1.8 Typical optical characteristics curves 典型光学特性曲线.....	10
2. Packaging 产品包装.....	12
2.1 Packaging Specification 包装规格.....	12
2.2 Moisture Resistant Packing 防潮包装.....	13
2.3 Box Information 纸箱信息.....	13
3. Reliability 可靠性.....	14
3.1 Reliability Test Items And Conditions 信赖性测试项目及条件.....	14
3.2 Failure Criteria 失效判定标准.....	15
4. Handling Notes 产品使用说明.....	16
4.1 Soldering Instructions 焊接说明.....	16
4.2 Handling Precautions 产品使用注意事项.....	18

## 1. Description 产品介绍

### 1.1 General Description 产品描述



The White LED which was fabricated using a blue chip and the phosphor,

Product Package:2.75mmX3.5mmX0.7mm.

该产品为白光 LED，是由蓝光芯片激发荧光粉而形成，产品尺寸：2.75mmX3.5mmX0.7mm。

### 1.2 Features 产品特征

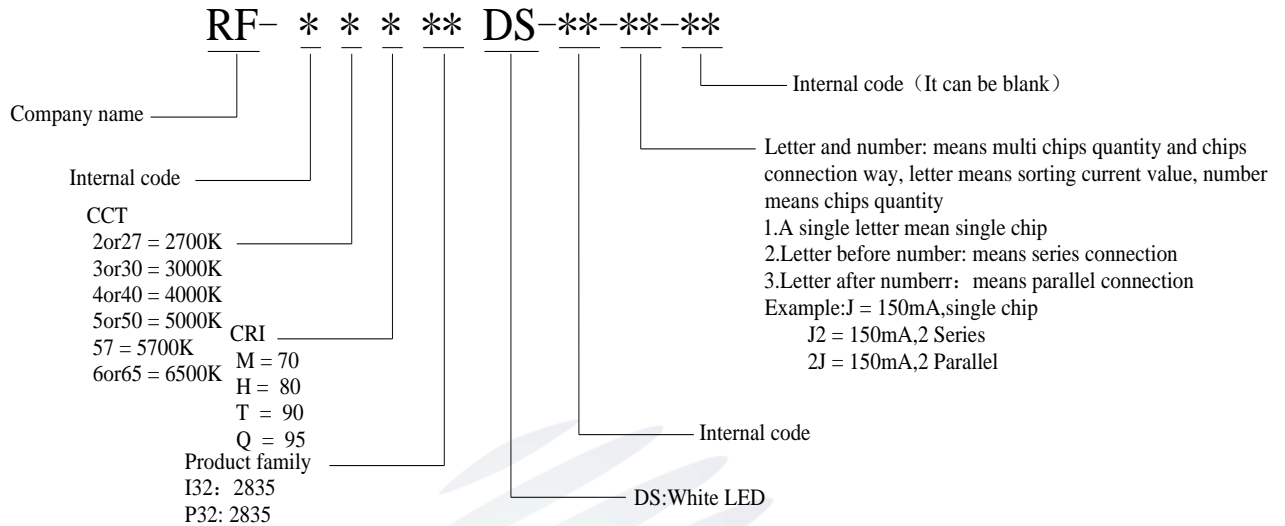
- ▶ PLCC-2 Package. PLCC-2 封装
- ▶ Extremely wide viewing angle. 发光角度大
- ▶ Suitable for all SMT assembly and solder process. 适用于所有的 SMT 组装和焊接工艺
- ▶ Available on tape and reel. 适用于载带及卷轴
- ▶ Moisture sensitivity level: Level 3. 防潮等级 Level 3
- ▶ RoHS compliant. 满足 RoHS 要求
- ▶ PCT Leadframe. PCT 支架

### 1.3 Application 产品应用

- ▶ Indoor lighting. 室内照明
- ▶ Panel light. 面板灯
- ▶ General indoor applications. 其它适合的室内应用

## 1.4 Product Nomenclature 产品命名规则

The part number designation for SMD 2835 is explained as follows



## 1.5 Package Dimension 封装尺寸

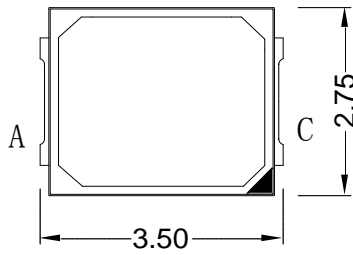


Fig.1-1 Top view 正面视图

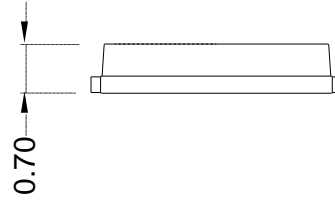


Fig.1-2 Side view 侧面视图

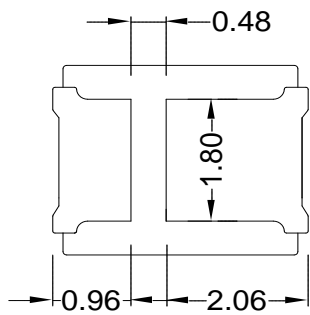
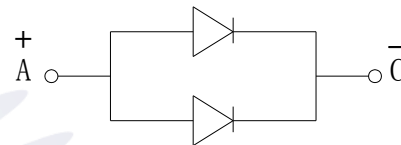


Fig.1-3 Bottom view 背面视图



**Polarity**  
 A: anode  
 C: cathode

Fig.1-4 Polarity 极性

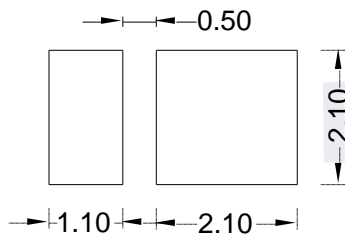


Fig.1-5 Soldering patterns 推荐焊盘

### Notes 备注:

1. All dimensions units are millimeters. 所有尺寸标注单位为毫米
2. All dimensions tolerances are  $\pm 0.2\text{mm}$  unless otherwise noted. 除特别标注外, 所有尺寸公差为  $\pm 0.2$  毫米

## 1.6 Product Parameters 产品参数

Table 1-1 Flux Specification 亮度规格 (Ts=25°C IF=150mA)

CCT 色温 (K)	Ra 显指 (min.)	R9 (typ.)	Luminous flux (lm) 光通量			Ordering part number 订购代码	Flux bins 亮度 bin
			Min.	Typ.	Max.		
2700K	90	50	55	60.2	65	RF-K27TP32DS-AF-2J	SHA
3000K	90	50	60	63.6	65	RF-K30TP32DS-AF-2J	TEA
3500K	90	50	60	65.8	70	RF-K35TP32DS-AF-2J	TEA
4000K	90	50	65	68	70	RF-K40TP32DS-AF-2J	TFA
5000K	90	50	65	68	70	RF-K50TP32DS-AF-2J	TFA
6500K	90	50	60	66.3	70	RF-K65TP32DS-AF-2J	TEA / TFA

Table 1-2 4000K 90CRI Reference Parameters at Varied Current 不同电流光电参数参考 (Ts=25°C)

Current 电流 (mA)	CCT 色温 (K)	CRI 显指	Voltage 电压 (V)	Flux 亮度 (lm)	Efficacy 光效 (lm/w)
60mA	4098	93.1	2.75	30.5	184.8
65mA	4100	93	2.76	32.8	182.9
100mA	4112	92.8	2.83	48.3	170.5
150mA	4129	92.6	2.91	68.1	155.7
200mA	4139	92.5	2.98	85.2	142.9

Table 1-3 Opto-Electro-Thermal Characteristics 光电热参数 (Ts=25°C IF=150mA)

Parameter 参数	Symbol 符号	Unit 单位	Values 值		
			Min.	Typ.	Max.
Forward voltage	V <sub>F</sub>	V	2.8	2.95	3.1
Viewing angle	2θ <sub>1/2</sub>	Deg.	120		
Thermal resistance	R <sub>th J-S</sub>	K/W	28		

Table 1-4 Absolute Maximum Ratings 极限参数

Parameter 参数	Symbol 符号	Unit 单位	Values 值
Power dissipation 功耗 Ts=25°C	P <sub>D</sub>	mW	930
Forward current 电流 Ts=25°C	I <sub>F</sub>	mA	300
Peak forward current 峰值电流 T ≤ 0.1ms; D ≤ 1/10; Ts=25°C	I <sub>FP</sub>	mA	360
Reverse voltage <sup>(3)</sup> 反向电压 Ts=25°C	V <sub>R</sub>	V	5
ESD (HBM)	V <sub>ESD</sub>	V	2000
Operating temperature 工作温度	T <sub>op</sub>	°C	-40~+105
Storage temperature 储存温度	T <sub>stg</sub>	°C	-40~+100
Junction temperature 结温	T <sub>J</sub>	°C	125

Notes 备注:

1. Refond maintains ±5% tolerance on flux measurements, ±2 tolerance on CRI measurements, ±6 tolerance on R9 measurements, ±0.1V tolerance on forward voltage measurements, ±0.005 tolerance on color coordinates. 瑞丰测试误差: 亮度±5%, CRI ±2, R9 ±6, 电压±0.1V, 色坐标±0.005。
2. All measurements were made under the standard of Refond. 所有测试都是基于瑞丰现有的标准测试平台。
3. The devices are not designed for reverse operation, it's intended to be operated applying a forward current under within the specified range. 产品不可在反向电压条件下使用, 应施加极限参数之内的正向电流使用。
4. Each device must be operated strictly below the maximum ratings to ensure that it works properly and reliable. 为确保产品可靠性, 每个产品需在极限参数内使用。
5. ESD yield is over 90% at 2000V ESD (HBM). ESD protection during products handing is needed. 90%的LED通过人体模式ESD2000V 测试, 在操作时请注意静电防护。

## 1.7 Binning Rules 分BIN 规则

Table 1-5 Flux Bins 亮度BIN (Ts=25°C IF=150mA)

Bin	Luminous flux (lm)	
	Min.	Max.
SHA	55	60
TEA	60	65
TFA	65	70

Table 1-6 Voltage Bins 电压BIN (Ts=25°C IF=150mA)

Bin	Voltage (V)	
	Min.	Max.
G1	2.8	2.9
G2	2.9	3.0
H1	3.0	3.1

Table 1-7 Chromaticity Bins 色度分BIN (Ts=25°C IF=150mA)

ANSI						
BIN CODE	x	y	a	b	$\theta$	Tc (K)
A27 (3Step)	0.4578	0.4101	0.00810	0.00420	53.42	2652-2794
A27-1/2/3/4 (5Step)	0.4578	0.4101	0.01350	0.00700		2607-2843
A30 (3Step)	0.4339	0.4033	0.00834	0.00408	53.13	2964-3130
A30-1/2/3/4 (5Step)	0.4339	0.4033	0.01390	0.00680		2911-3189
A35 (3Step)	0.4078	0.3930	0.00927	0.00414	54.00	3361-3575
A35-1/2/3/4 (5Step)	0.4078	0.3930	0.01545	0.00690		3294-3651
A40 (3Step)	0.3818	0.3797	0.00939	0.00402	53.43	3848-4127
A40-1/2/3/4 (5Step)	0.3818	0.3797	0.01565	0.00670		3763-4230
A50 (3Step)	0.3446	0.3551	0.00822	0.00354	59.37	4849-5213
A50-1/2/3/4 (5Step)	0.3446	0.3551	0.01370	0.00590		4740-5348
A65 (3Step)	0.3123	0.3283	0.00669	0.00285	58.34	6277-6814
A65-1/2/3/4 (5Step)	0.3123	0.3283	0.01115	0.00475		6119-7017

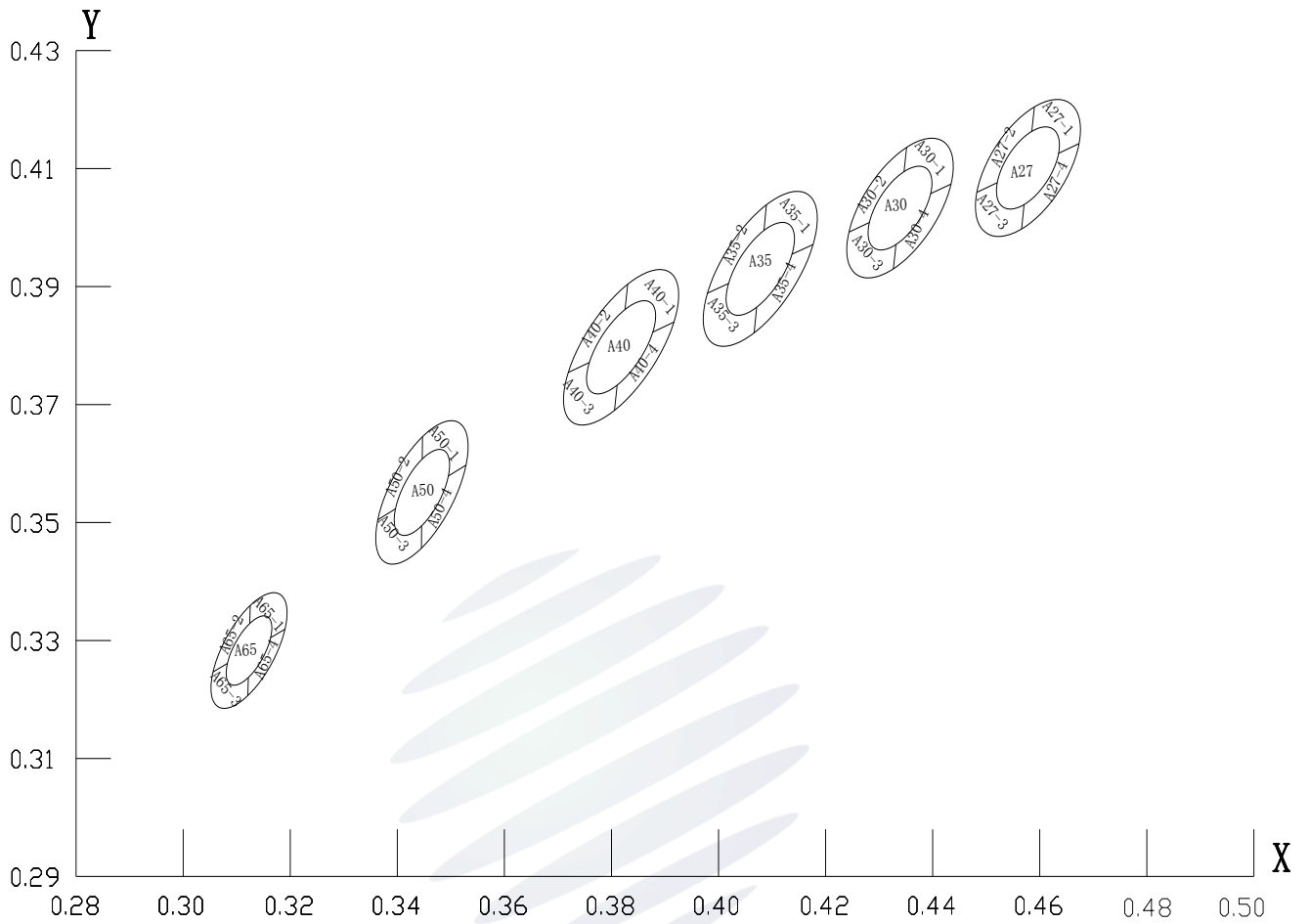
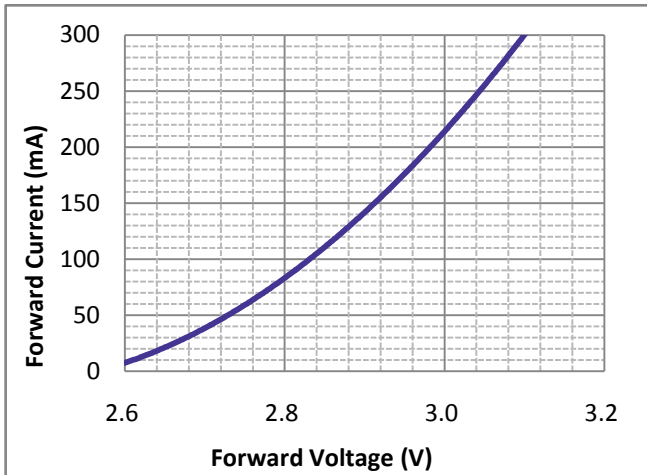


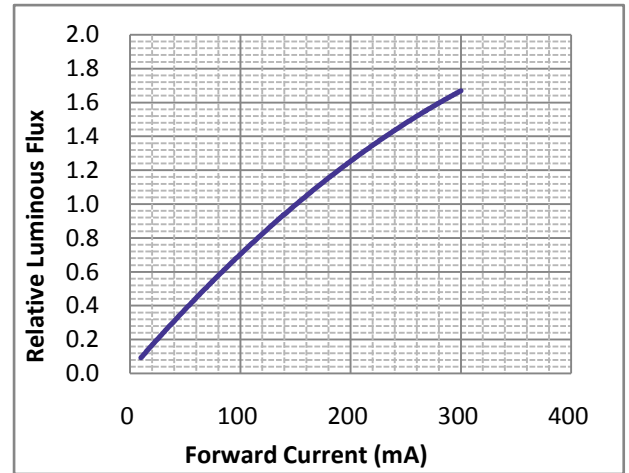
Fig 1-6 The C.I.E Chromaticity Diagram CIE色度

## 1.8 Typical optical characteristics curves 典型光学特性曲线

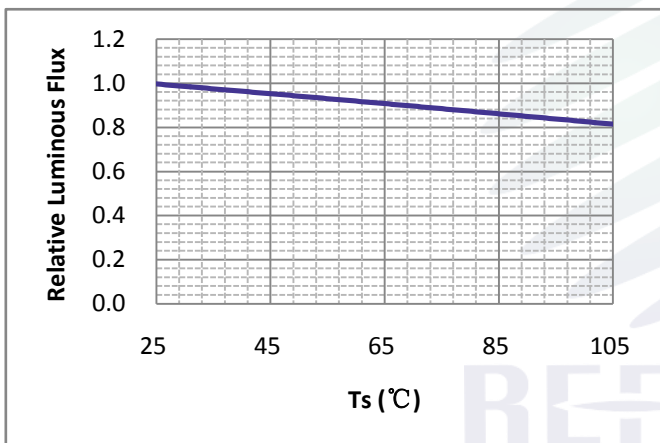
Forward current vs. forward voltage  
 伏安特性曲线 (Ts=25°C)



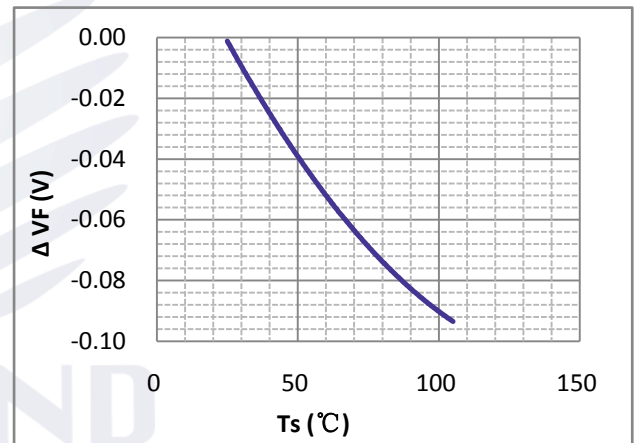
Relative luminous flux vs. forward current  
 相对亮度与正向电流曲线 (Ts=25°C)



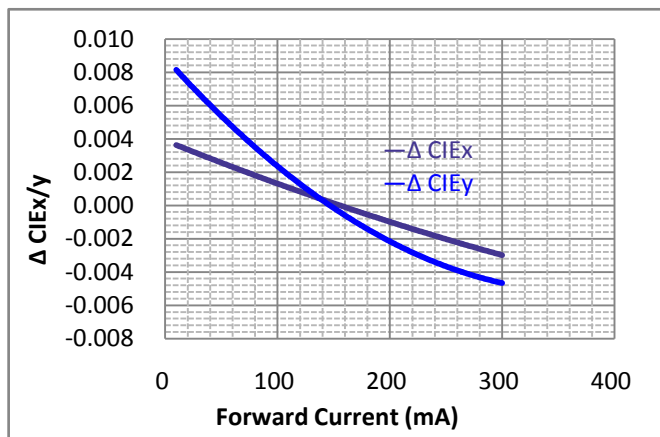
Relative luminous flux vs. Ts temperature  
 相对亮度与温度曲线 (IF=150mA)



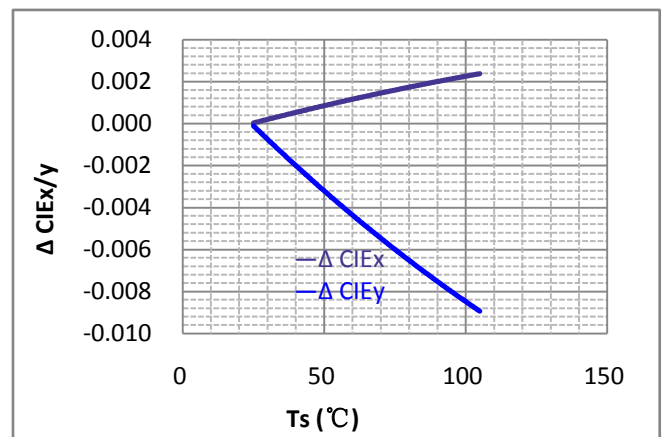
Forward voltage vs. Ts temperature  
 电压与温度曲线 (IF=150mA)



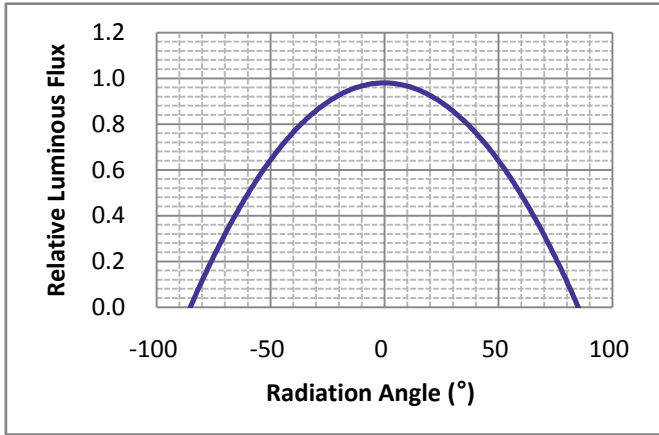
ΔCIE-x/y vs. forward current  
 ΔCIE-x/y 与电流曲线 (Ts=25°C)



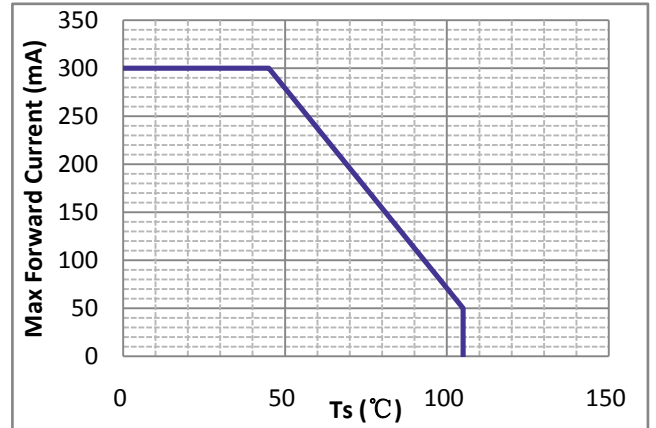
ΔCIE-x/y vs. Ts temperature  
 ΔCIE-x/y 与温度曲线 (IF=150mA)



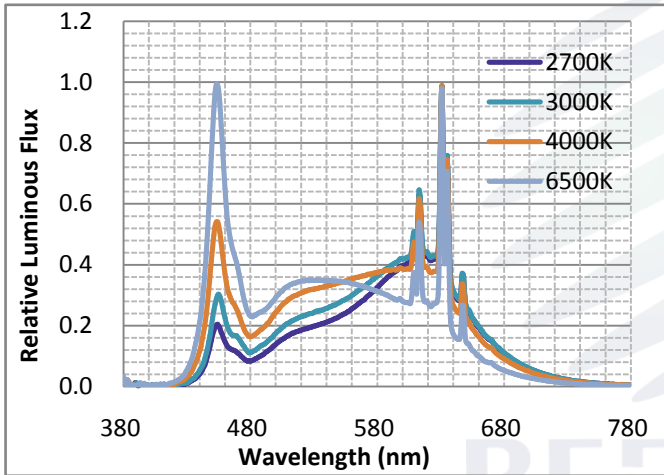
Typical radiation diagram  
 典型辐射特性曲线



Max. forward current vs. Ts temperature  
 最大电流与 Ts 特性曲线 ( $T_J \leq 125^\circ\text{C}$ )



Typical spectrum distribution  
 典型光谱分布

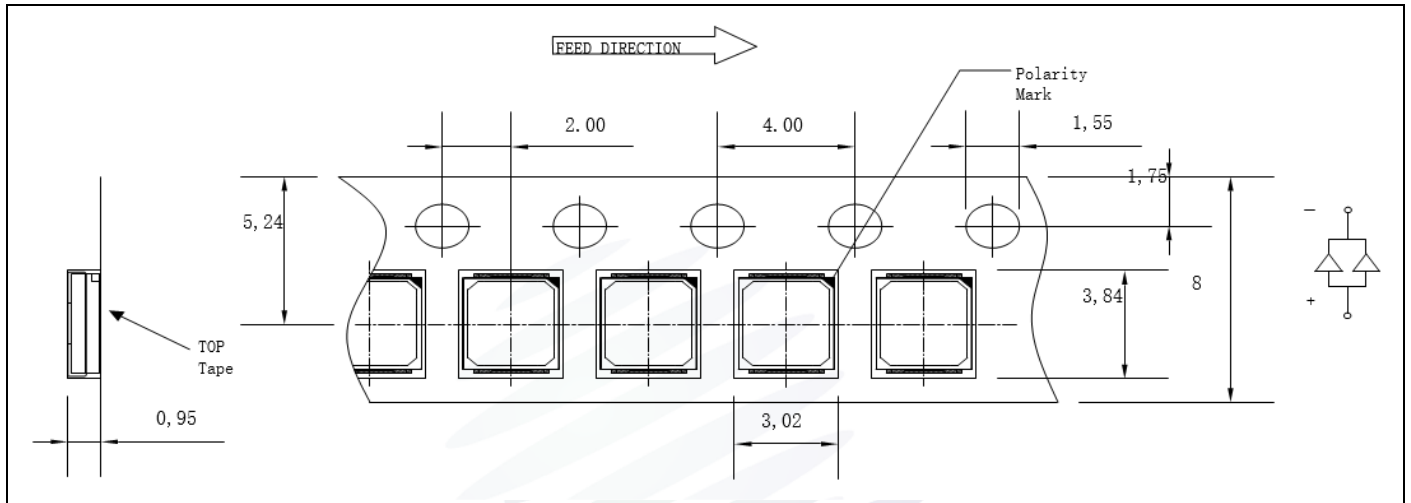


## 2. Packaging 产品包装

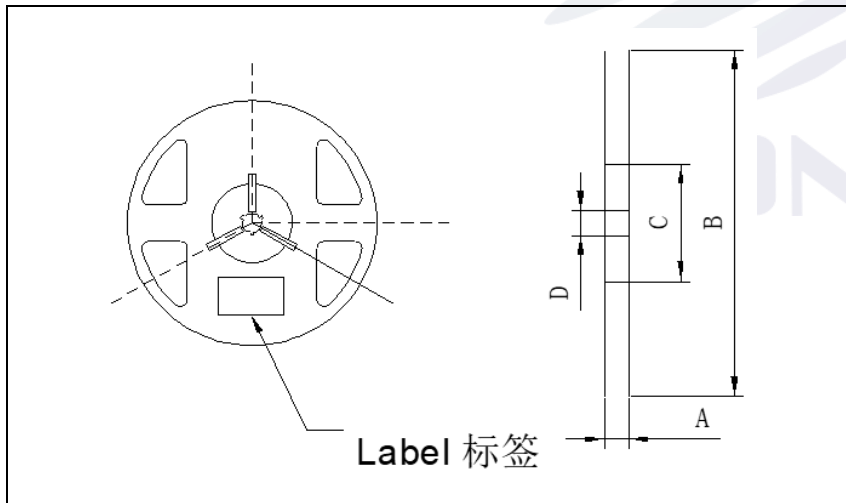
### 2.1 Packaging Specification 包装规格

Package: 16000pcs/reel or 4000pcs/reel. 包装每卷 16000pcs 或 4000pcs。

### Carrier Tape Specification 载带规格



### Reel Specification 卷盘规格



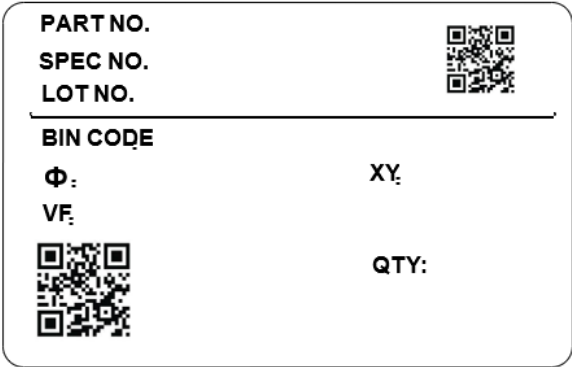
The diagram shows a top view of a reel with a central hub and four spokes. A label is indicated. Dimensions A, B, C, and D are defined for the reel's width and height.

	16000pcs	4000pcs
A	12.7±0.3mm	11.75±0.3mm
B	330.2±2mm	177.8±0.2mm
C	79.5±0.2mm	58.5±0.2mm
D	14.3±0.2mm	13.5±0.2mm

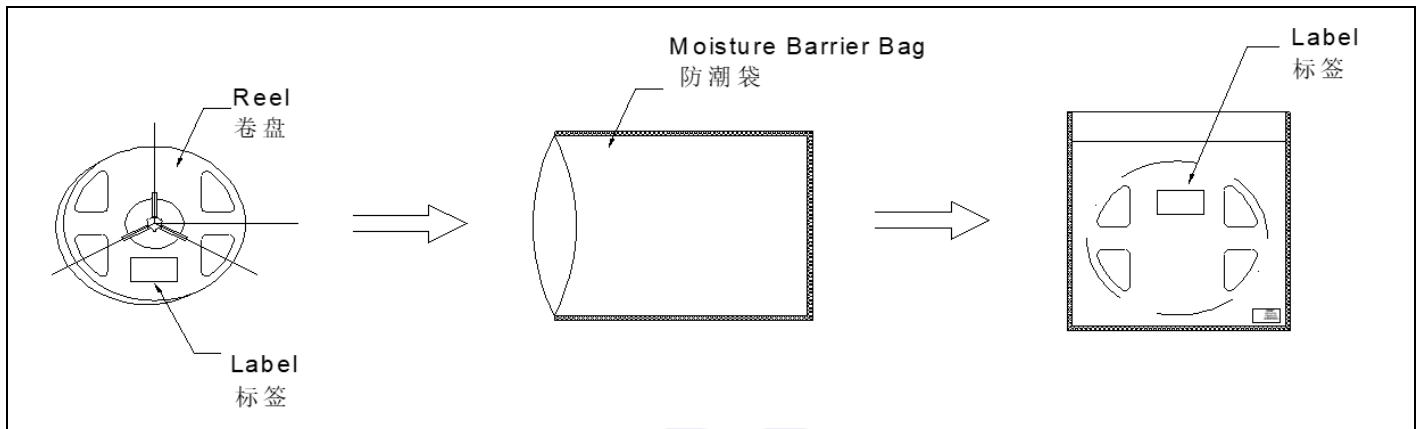
Notes 备注:

The tolerances unless mentioned  $\pm 0.1\text{mm}$ . Unit : mm 注: 未注公差为  $\pm 0.1$  毫米, 尺寸单位: 毫米。

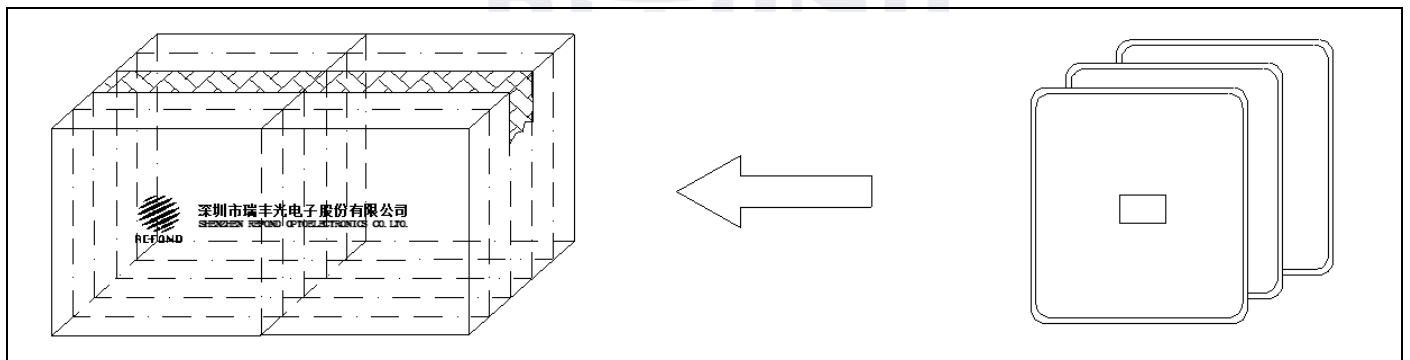
## Label Specification 标签信息

	PART NO.	Part Number 品名
	SPEC NO.	Spec Number 规格
	LOT NO.	Lot Number 批次号
	BIN CODE	Bin Code 参数代码
	Φ	Luminous Flux 光通量
	XY	Chromaticity Bin 色区
	VF	Forward Voltage 正向电压
	QTY	Packing Quantity 数量
	DATE	Made Date 生产日期

## 2.2 Moisture Resistant Packing 防潮包装



## 2.3 Box Information 纸箱信息



### 3. Reliability 可靠性

#### 3.1 Reliability Test Items And Conditions 信赖性测试项目及条件

Test Items 项目	Ref. Standard 参考标准	Test Condition 测试条件	Duration 时间	Quantity 数量	Ac/Re 接收/拒收
Reflow soldering 回流焊	JESD22-B106	Temp: 260°C max T=10 sec	2 times	10pcs	0/1
Thermal shock 冷热冲击	JEITAED-4701 300 307	-40°C 15min ↑ ↓ 10s 100°C 15min	200 cycles	10pcs	0/1
High temperature storage 高温储存	JEITAED-4701 200 201	TA=100°C	1000hrs	10pcs	0/1
Low temperature storage 低温储存	JEITA ED-4701 200 202	TA=-40°C	1000hrs	10pcs	0/1
Room temperature life test 常温通电	JESD22-A108	TA=25°C IF=150mA	1000hrs	10pcs	0/1
Wet high temperature life test 高温高湿通电	JESD22-A101	TA=60°C RH=90% IF=150mA	1000hrs	10pcs	0/1
Wet high temperature storage 高温高湿储存	JEITA ED-4701 100 103	TA=85°C RH=85%	1000hrs	10pcs	0/1



### 3.2 Failure Criteria 失效判定标准

Test Items 项目	Symbol 符号	Test Condition 测试条件	Failure Criteria 失效标准	
			Min. 最小	Max. 最大
Forward Voltage 正向电压	VF	IF=150mA	-	(U.S.L*)x1.1
Reverse Current 反向电流	IR	VR = 5V	-	(U.S.L*)x2.0
Luminous Flux 光通量	Φ	IF=150mA	(L.S.L*)x0.7	-

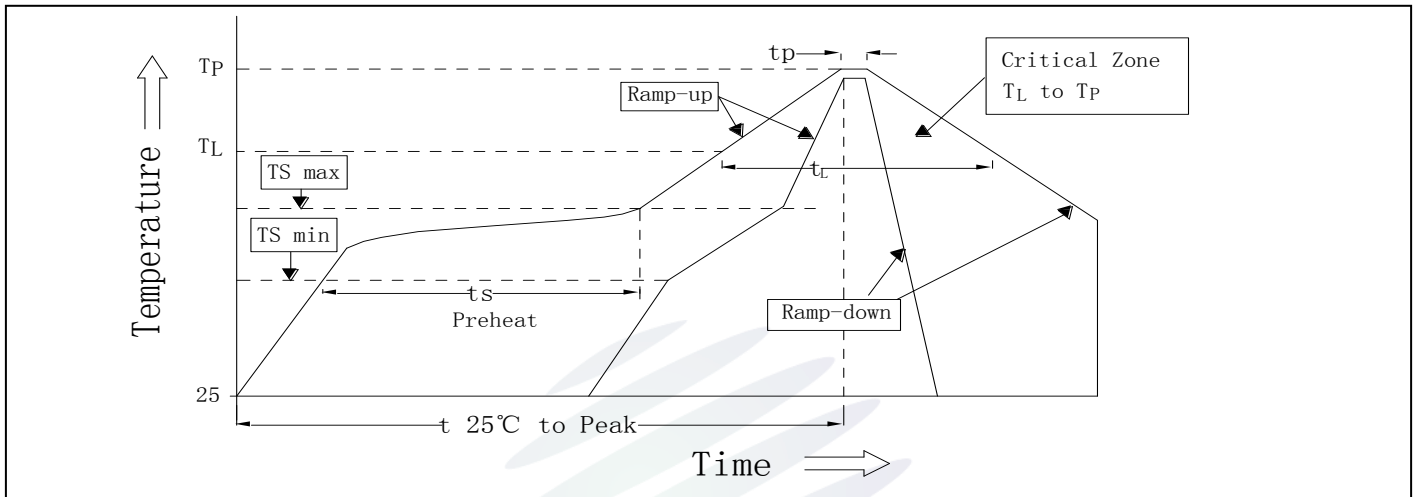
#### Notes 备注:

- 1.U.S.L: Upper standard level 规格上限 L.S.L: Lower standard level 规格下限
2. The above reliability tests are based on the verification of a single/strip LED of Refond's existing experimental platform,the reliability experimental was taken under good heat dissipation conditions.When customers applies the LED to the series and parallel circuit,should take consideration of all the factors such as the current,voltage distribution,heat dissipation and others. 以上可靠性测试是基于瑞丰现有实验平台单颗/条 LED 在良好散热条件验证下的结果。客户端将 LED 应用于串、并联线路时，需自行评估电流、电压分配、散热等问题。
- 3.The technical information shown in the data sheets are limited to the typical characteristics and circuit examples of the referenced products. It does not constitute the warranting of industrial property nor the granting of any license. 以上技术数据仅为产品的典型值，只作为参考，不作为任何应用条件及应用方式的保证。

## 4. Handing Notes 产品使用说明

### 4.1 Soldering Instructions 焊接说明

#### 4.1.1 SMT Reflow Soldering Instructions SMT 回流焊说明



Preheat temperature 推荐预热温度 $T_{smin} \sim T_{smax}$	150°C~200°C
Preheat time 预热时间 $t_s$	60s~120s
Ramp-up rate to $T_P$ 升温速率 $T_{smax} \rightarrow T_P$	Max 3°C/s 最高3°C/秒
Liquids temperature 液相温度 $T_L$	217°C
Time above liquids temperature 液相温度时间 $t_L$	Max 60s 最大60s
Peak temperature 峰值温度 $T_P$	260°C
Time within 5°C of the peak temperature $T_P-5^\circ\text{C}$ 峰值温度时间 $t_p$	Max 30s 最大 30s
Ramp-down rate 降温速率	Max 6°C/s 最大 6°C/s
Time 25°C $\rightarrow T_P$ 室温到峰值温度时间	Max 480s 最大 480s

## Notes 备注:

1. The number of reflow soldering should not exceed two times. If the time interval between two reflow soldering times exceeds 4 hours, the LED may be damaged due to moisture absorption. 回流焊次数不可以超过两次，两次回流焊的时间间隔如果超过 4 小时，LED 可能因吸湿而损坏。

2. Do not press the light emitting surface while soldering in high temperature. 高温焊接时不要用力压产品胶体发光面。

### 4.1.2 Soldering Iron 烙铁焊接

1. When manually soldering, the soldering iron temperature must be less than 300°C and the time must not exceed 3s. 手工焊接时，烙铁温度必须小于300°C，时间不超过3秒。

2. Manual soldering can only be done once. 手工焊接只可焊接一次。

### 4.1.3 Repairing 修补

LED cannot be repaired after reflow soldering. If repair is necessary, a double-ended soldering iron must be used, and it should be confirmed in advance whether this method will damage the characteristics of the LED itself. LED 回流焊后不可修补，当必须修补时，必须使用双头烙铁，且应事先确认此种方式会不会损坏 LED 本身的特性。

### 4.1.4 Cautions 注意事项

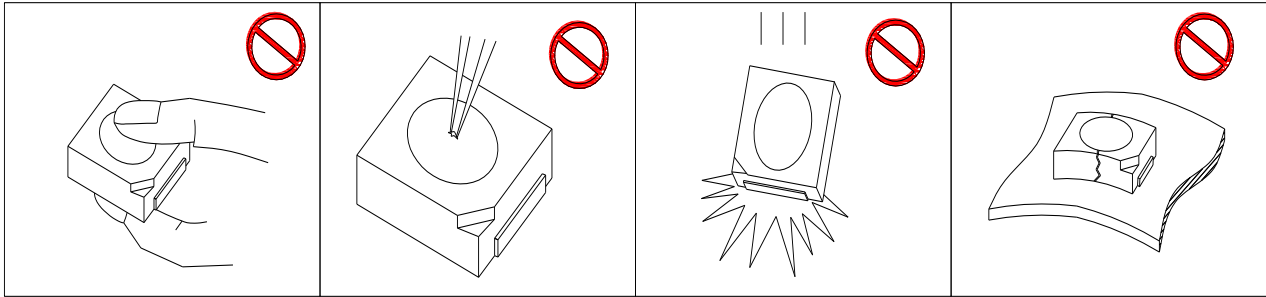
1. The LED light emitting surface is a soft silicone, pressing the surface hard will affect the reliability of the LED. Therefore, precautions should be taken to avoid pressing the device. When using a nozzle, ensure that the pressure applied to the surface will not damage the LED. LED发光面为软的硅胶，用力按压胶体表面会影响LED可靠性，因此应有预防措施避免在按压器件，当使用吸嘴时，应确保施加到胶体表面的压力不会损坏LED。

2. Do not solder LED on a curved PCB board, and do not bend the PCB after soldering. LED灯珠不要焊接在弯曲的PCB板上，焊接之后，也不要弯折线路板。

3. During the cooling process after reflow soldering, do not apply external force to the material, do not vibrate it, and do not use drastic cooling methods. 回流焊之后冷却过程中，不要对材料实加外力，也不要震动，不要采用激剧冷却的方式。

## 4.2 Handling Precautions 产品使用注意事项

1. It is recommended that the sulfur element and compound content in the LED working environment and LED auxiliaries should not exceed 100PPM, but Refond does not provide quality guarantee. 建议 LED 工作环境及与 LED 适配的材料中硫元素及化合物成份不可超过 100PPM, 但瑞丰不作品质担保。
2. To prevent foreign substances from entering the LED and causing damage to the LED, the LED environment and the auxiliaries used, etc., require that the single bromine content is less than 900PPM, the single chlorine content is less than 900PPM, and the total content of bromine and chlorine must be less than 1500PPM. This is Refond suggestion and does not provide any quality guarantee. 为防止外界物质进入 LED 内部造成 LED 的损伤, LED 所处环境及所用套件等, 单一的溴元素含量要求小于 900PPM, 单一氯元素含量要求小于 900PPM, 溴元素与氯元素总含量必须小于 1500PPM. 这是瑞丰的建议, 不作任何品质担保。
3. The volatile substances in the application auxiliaries will penetrate into the interior of the LED. When the power is on, photons and heat are generated, which will cause the LED to change color and then cause light decay. Knowing the auxiliaries materials in advance can avoid these problems. Refond opposes the use of any substances or materials that are harmful to the performance or reliability of LED devices, whether these materials have been confirmed or are only suspected of being harmful. For specific uses and use environments, Refond recommends compatibility testing of all substances and materials. When mounting LEDs, do not use adhesives that can produce organic volatile gases. 应用套件中的挥发性物质会渗透到 LED 内部, 在通电产生光子及热的条件下, 会导致 LED 变色, 进而造成光衰, 提前了解套件材料能够避免产生这些问题。瑞丰反对使用任何对 LED 器件的性能或者可靠性有害的物质或材料, 不管这些材料是已经证实了的还是仅仅怀疑有害。针对特定的用途和使用环境, 瑞丰建议对所有的物质和材料进行相容性的测试。在贴装 LED 时候, 不要使用能产生有机挥发性气体的粘结剂。
4. Use appropriate tools to clamp the material from the side. Do not press the LED light emitting surface directly with your hands or sharp metal, as it may damage the internal circuit. 应使用适当的工具从材料侧面夹取, 不可直接用手或尖锐金属压产品发光面, 它可能会损坏内部电路。



5. When designing a circuit, the current through the LED cannot exceed the specified maximum value. At the same time, a protective resistor must be used. Otherwise, a small voltage change will cause a large current change, which may cause product damage. The circuit design must ensure that only when the forward voltage changes when turning on or off, do not apply reverse voltage, otherwise it will damage the LED. 设计电路时，通过 LED 的电流不能超过规定的最大值，同时还需使用保护电阻，否则微小的电压变化将会引起较大电流变化，可能导致产品损毁。电路设计必须保证只有在开启或者关闭的时候出现正向电压的变化，不要施加反压，否则会损坏 LED。
6. LED characteristics are prone to heat changes due to their own heat and changes in ambient temperature. Temperature increases will reduce LED efficacy and result in color shift, so heat dissipation issues should be fully considered during design. LED 特性容易因为自身的发热和环境的温度改变而改变，温度升高会降低 LED 发光效率，影响发光颜色，所以在设计时应充分考虑散热问题。
7. Compared with other encapsulating glues, silicone is a soft material and its surface easily absorbs dirt. Special attention should be paid when using the LED. When the cleanliness of the LED is required, appropriate cleaning methods are required after reflow soldering. We recommend using isopropyl alcohol as a cleaning agent. If other cleaning agents are needed, it must be ensured that the package will not be damaged. Ultrasonic cleaning may damage the LED and is not recommended. 与其他封装胶相比，硅胶通常较软，表面易吸附脏物，应用时应特别注意，当对产品洁净度要求较高时，回流焊以后需要采用恰当的清洗方式，我们推荐用异丙醇作清洗剂，如需要用到其他清洗剂，必须保证不会破坏封装体，超声清洗可能会对 LED 带来损害，不推荐这种清洗方式。

## 8. Recommended storage and baking condition. 建议的储存及烘烤条件。

Conditions 种类	Temperature 温度	Humidity 湿度	Time 时间
Storage Before Opening Aluminum Bag 拆包前	≤30°C	≤75%	Within 1 year from shipping 一年内
Storage After Opening Aluminum Bag 拆包后	≤30°C	≤60%	168hours 168小时
Baking 烘烤	60±5°C	≤5%	≥24hours 大于24小时

9. If the package bag is bloated or damaged, please contact sales staff for assistance. 如果包装胀气或者破损，请联系销售人员协助处理。
10. LEDs are easily broken down by static electricity overcurrent, so static electricity protection is required. LED 极易被静电过流击穿，需要做好静电防护。
11. For other matters needing attention, please refer to the relevant information of Refond. 其它注意事项请参照瑞丰相关资料。







[www.refond.com](http://www.refond.com)

REFOND

#### Declare 申明

This specification is written both in English and in Chinese and the latter is formal.  
产品规格书以中英文方式书写，若有冲突以中文版本为准。