

Plug-in sockets and accessories

GOP11

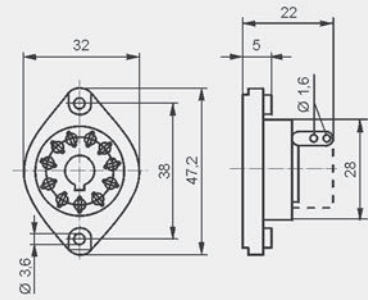
For R15 - 3 CO

Solder terminals
47,2 x 32 x 22 mm
Three poles
10 A, 250 V AC



R159 1051 R15 5922

Dimensions

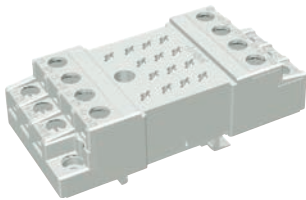


Accessories

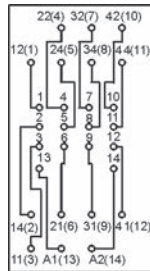
GZ14U

For R15 - 4 CO

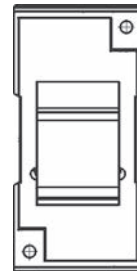
Screw terminals
Max. tightening moment
for the terminal: 0,7 Nm
35 mm rail mount
acc. to PN-EN 60715
96,8 x 46,4 x 33,3 mm
Four poles
10 A, 250 V AC



Connection diagram

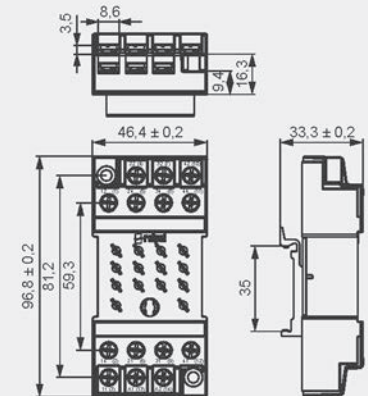


Adaptor



GZ14 0737

Dimensions

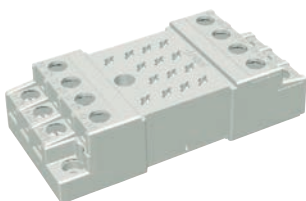


Accessories

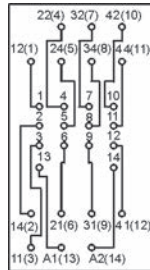
GZ14

For R15 - 4 CO

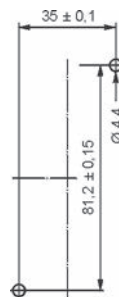
Screw terminals
Max. tightening moment
for the terminal: 0,7 Nm
On panel mounting
96,8 x 46,4 x 24,5 mm
Four poles
10 A, 250 V AC



Connection diagram

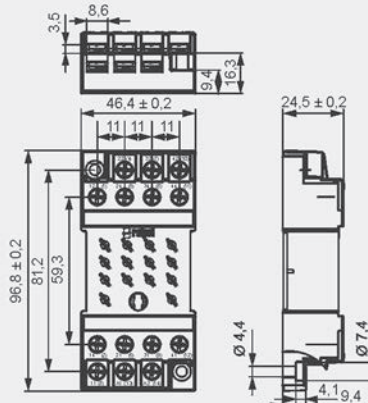


Mounting dimensions



GZ14 0737

Dimensions

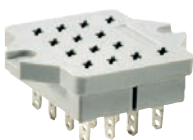


Accessories

GOP14

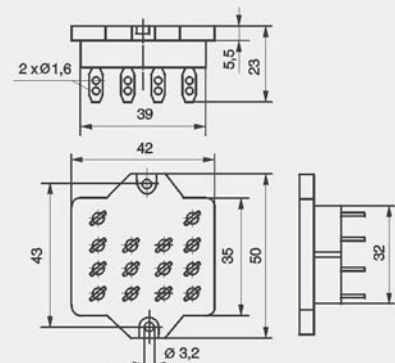
For R15 - 4 CO

Solder terminals
50 x 42 x 23 mm
Four poles
10 A, 250 V AC



R15 0736 R15 5922

Dimensions



Accessories