

# Plug-in sockets and accessories

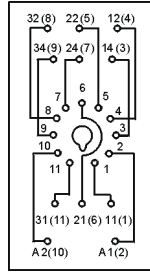
## GZU11

For R15 - 3 CO

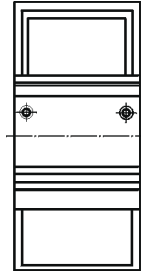
Screw terminals  
Max. tightening moment for the terminal: 0,7 Nm  
35 mm rail mount  
acc. to PN-EN 60715  
82 x 35,5 x 25,7 mm  
Three poles  
10 A, 250 V AC



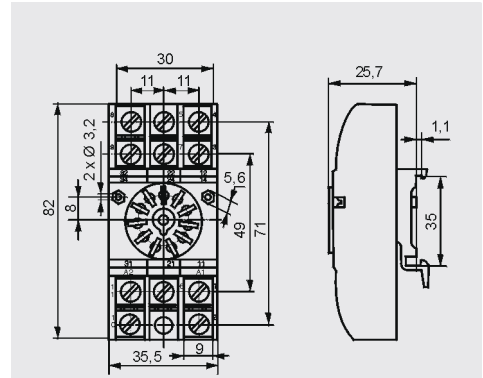
### Connection diagram



### Adaptor



### Dimensions



### Accessories

GZU 1052



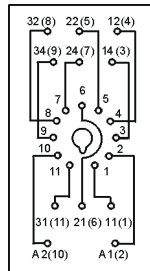
## GZ11

For R15 - 3 CO

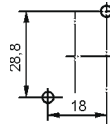
Screw terminals  
Max. tightening moment for the terminal: 0,7 Nm  
On panel mounting  
82,8 x 35,5 x 22,5 mm  
Three poles  
10 A, 250 V AC



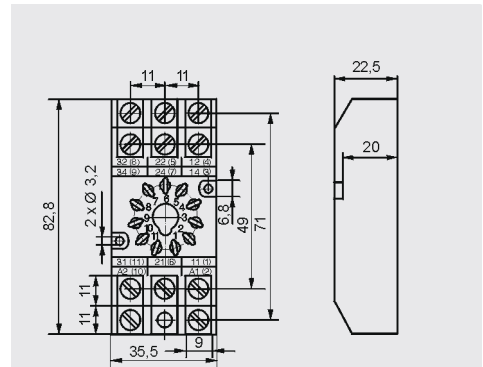
### Connection diagram



### Mounting dimensions



### Dimensions



### Accessories

GZ 1050



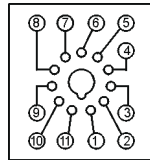
## GZS11

For R15 - 3 CO

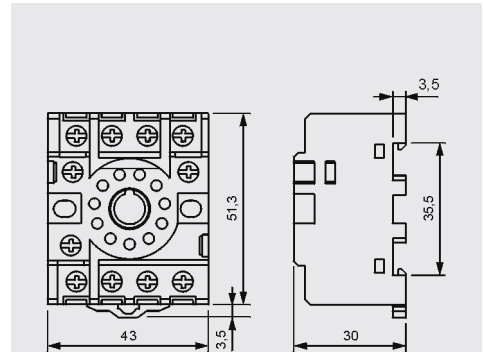
Screw terminals  
Max. tightening moment for the terminal: 1,0 Nm  
35 mm rail mount  
acc. to PN-EN 60715  
or on panel mounting  
51,3 x 43 x 30 mm  
Three poles  
10 A, 300 V AC



### Connection diagram



### Dimensions



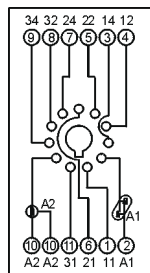
## GZP11

For R15 - 3 CO

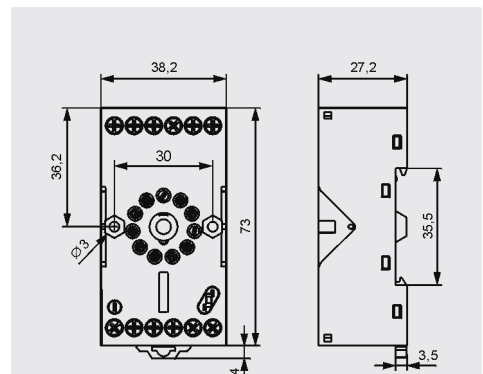
Screw terminals  
Max. tightening moment for the terminal: 0,5 Nm  
35 mm rail mount  
acc. to PN-EN 60715  
or on panel mounting  
73 x 38,2 x 27,2 mm  
Three poles  
12 A, 300 V AC



### Connection diagram



### Dimensions



### Accessories

GZP-0054

Time module COM3



GZP-0035

14.07.2014