

OptiRel C RR94 RP55 relay receptacles

► Designation

OptiRel C RR 94 - 5 4 - 230 - 7 - P



1	Product range name	OptiRel C
2	Product type name	RR — Relay receptacle
3	Series	94
4	Configuration	1 — PCB mounting by soldering 5 — spring or plug-in terminals, logical base 7 — spade lug screw terminals, standard base 8 — screw terminals, standard base 9 — screw terminals, logical base
5	Number of groups of main circuit contacts	2; 3; 4
6	Rated supply voltage, V	230
7	Rated current of the main circuit, A	7; 10 [*] ; 12 ^{**}
8	Type of connecting terminals	P — Spring terminals; V — Screw; PI — Plug-in terminals; (empty) — not available

* Only for OptiRel C RR 94-93-230-10-V

** Only for OptiRel C RR 94-92-230-12-V

► Items

Appearance	Type of terminals	Base type	Number and current of relay contacts	Product name	Code	Compatible retainer		
						Material	Product name	Code
	Screw terminals for spade lug	Standard	2 CO, 7 A ¹⁾	OptiRel C RR94-72-230-7-V	281170	Plastic Metal	OptiRel C 55-H4 OptiRel C 55-H5	281190 281191
		Standard	4 CO, 7 A	OptiRel C RR94-74-230-7-V	281171			
	Screw	Standard	2 CO, 7 A ¹⁾	OptiRel C RR94-82-230-7-V	281172			
		Logical	2 CO, 12 A	OptiRel C RR94-92-230-12-V	281164			
		Logical	3 CO, 10 A	OptiRel C RR94-93-230-10-V	281165			
		Logical	4 CO, 7 A	OptiRel C RR94-94-230-7-V	281166			
	Spring terminals	Logical	4 CO, 7 A	OptiRel C RR94-54-230-7-P	281169			
	Plug-in terminals	Logical	2 CO, 10 A ²⁾	OptiRel C RR94-52-230-10-PI	365461			
			4 CO, 6 A	OptiRel C RR94-54-230-6-PI	365462			
	For soldering	-	2 CO, 7 A	OptiRel C RR94-12-230-7	281167			
			4 CO, 7 A	OptiRel C RR94-14-230-7	281168			

Note:

¹⁾ For OptiRel C RP55-32 and OptiRel C RP55-33 relays used to switch loads with a current over 7 A, only OptiRel C RR94-92-23012-V and OptiRel C RR94-93-230-10-V receptacles should be used respectively.

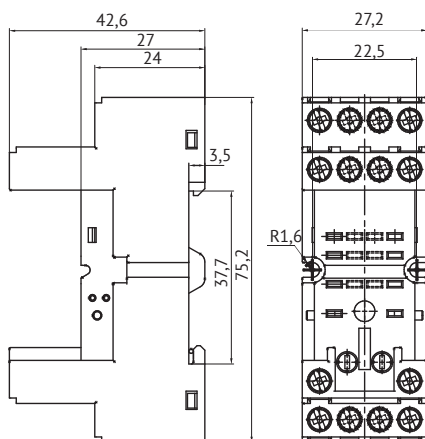
²⁾ Maximum load current should be not more than 10 A.

► **Technical specification**

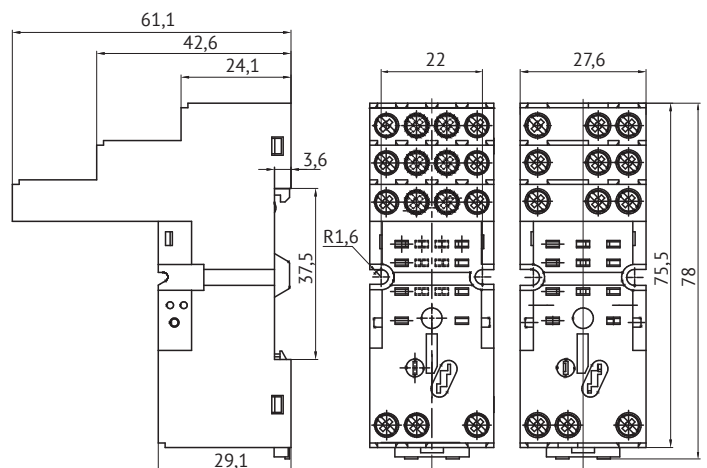
Parameter	Values	
Technical parameters		
Rated current of the main circuit, A	7; 10 ¹⁾ ; 12 ²⁾	
Main circuit rated voltage, V	250	
Maximum wire size, solid wire and stranded wire, mm ²	OptiRel C RR94-8X	1x4
	OptiRel C RR94-9X	2x2,5
	OptiRel C RR94-7X	2x1,5
	OptiRel C RR94-54	
Screw torque, N·m	0,6	
Cable stripping length, mm	7	
Electrical strength of insulation between control and main circuit connection pins, kV	2	
Protection class as per COST 14254	IP20	
Operating conditions		
Operating temperature range	-40 to +70	
Height of the installation site above sea level, max., m	2000	
Relative humidity, %	5 to 85	
Operating position in space	Arbitrary	
Note:		
¹⁾ Only for OptiRel C RR 94-93-230-10-V		
²⁾ Only for OptiRel C RR 94-92-230-12-V		

► **Overall dimensions (mm)**

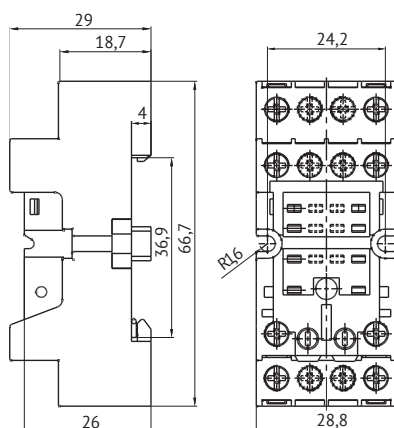
OptiRel C RR94-8.. receptacle with screw terminals and standard base



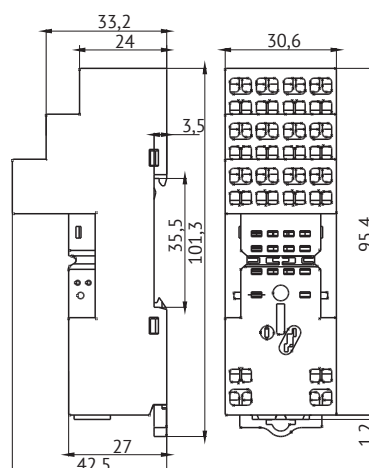
OptiRel C RR94-9.. receptacle with screw terminals and logical base



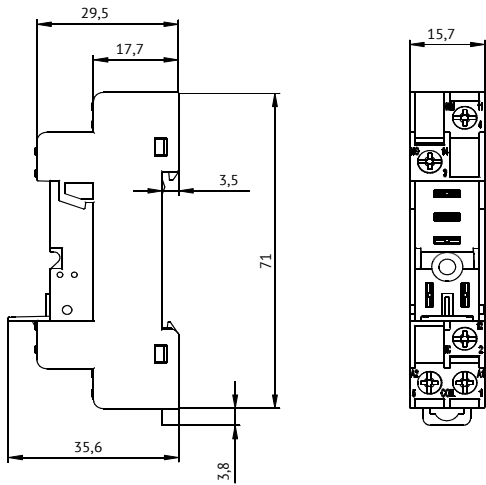
OptiRel C RR94-7.. receptacle with spade lug screw terminals and standard base



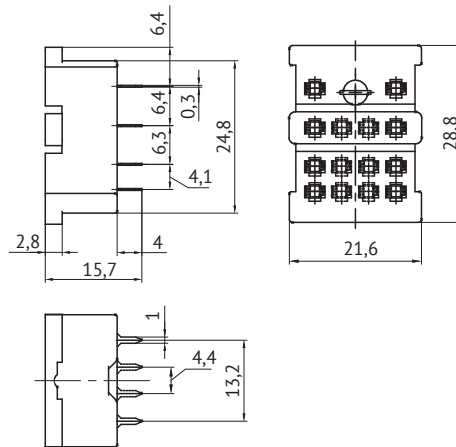
OptiRel C RR94-7.. receptacle with spring terminals and logical base






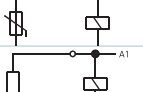
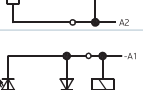

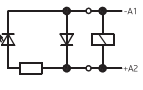
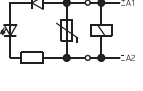
OptiRel G RR94-7.. receptacle with screw terminals and logical base



OptiRel G RR94-1.. receptacle for PCB mounting by soldering



Accessories

Appearance	Type	Purpose	Operating voltage	Circuit diagrams	Series of compatible receptacles	Product name	Code
	RC-circuit	Suppression of pulse currents in the control circuit	6-24 V AC/DC		OptiRel G RR94-52-230-10-PI OptiRel G RR94-54-230-6-PI OptiRel G RR94-54-230-7-P OptiRel G RR94-72-230-7-V OptiRel G RR94-74-230-7-V OptiRel G RR94-82-230-7-V OptiRel G RR94-92-230-12-V OptiRel G RR94-93-230-10-V OptiRel G RR94-94-230-7-V OptiRel G RR95-02-230-10-V OptiRel G RR95-52-230-10-P OptiRel G RR95-52-230-10-PI OptiRel G RR95-82-230-10-V	OptiRel G RC-6-24U	281178
			28-60 V AC/DC			OptiRel G RC-28-60U	281179
			110-230 V AC/DC			OptiRel G RC-110-230U	330353
	Bypass diode	Protection against reverse current when power is removed from the control circuit coil	6-220 V DC			OptiRel G DI-6-220D	330361
VDR	Limiting surge currents and overvoltage in the control circuit	230 V AC		OptiRel G V-230		330356	
Resistor	Limiting the reverse current amplitude during relay tripping	110-230 V AC		OptiRel G RC-110-230		330352	
	Bypass diode + LED	Protection against reverse current when power is removed from the control circuit coil + Operating mode display	6-24 V DC			OptiRel G DI-6-24D	281180
			28-60 V DC			OptiRel G DI-28-60D	281181
	VDR + LED	Limiting surge currents and overvoltage in the control circuit + Operating mode display	6-24 V AC/DC			OptiRel G RCV-6-24U/L	330348
			28-60 V AC/DC			OptiRel G RCV-24-60U/L	330358
110-230 V AC/DC	OptiRel G RCV-110-230U/L	330354					

OptiRel G additional protection and display modules

