



# 2SA1606/2SC4159

## High-Voltage Switching, AF 100W Driver Applications

### Applications

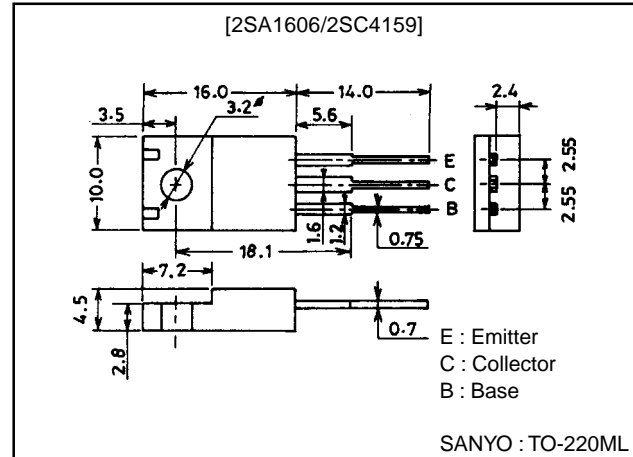
- High-voltage switching, AF power amplifier, 100W output predrivers.

### Features

- Micaless package facilitating mounting.

### Package Dimensions

unit:mm  
2041



( ) : 2SA1606

### Specifications

#### Absolute Maximum Ratings at Ta = 25°C

Parameter	Symbol	Conditions	Ratings	Unit
Collector-to-Base Voltage	$V_{CB0}$		(-)180	V
Collector-to-Emitter Voltage	$V_{CEO}$		(-)160	V
Emitter-to-Base Voltage	$V_{EBO}$		(-)6	V
Collector Current	$I_C$		(-)1.5	A
Collector Current (Pulse)	$I_{CP}$		(-)3	A
Collector Dissipation	$P_C$	$T_c=25^\circ C$	15	W
Junction Temperature	$T_j$		150	°C
Storage Temperature	$T_{stg}$		-55 to +150	°C

#### Electrical Characteristics at Ta = 25°C

Parameter	Symbol	Conditions	Ratings			Unit
			min	typ	max	
Collector Cutoff Current	$I_{CBO}$	$V_{CB}=(-)120V, I_E=0$			(-)10	$\mu A$
Emitter Cutoff Current	$I_{EBO}$	$V_{EB}=(-)4V, I_C=0$			(-)10	$\mu A$
DC Current Gain	$h_{FE}$	$V_{CE}=(-)5V, I_C=(-)300mA$	60*		200*	
Gain-Bandwidth Product	$f_T$	$V_{CE}=(-)10V, I_C=(-)50mA$		100		MHz
Output Capacitance	$C_{ob}$	$V_{CB}=(-)10V, f=1MHz$		(30)23		pF
Base-to-Emitter Voltage	$V_{BE}$	$V_{CE}=(-)5V, I_C=(-)10mA$			(-)1.5	V

\* : The 2SA1606/2SC4159 are classified by 300mA  $h_{FE}$  as follows :

Continued on next page.

60	D	120	100	E	200
----	---	-----	-----	---	-----

■ Any and all SANYO products described or contained herein do not have specifications that can handle applications that require extremely high levels of reliability, such as life-support systems, aircraft's control systems, or other applications whose failure can be reasonably expected to result in serious physical and/or material damage. Consult with your SANYO representative nearest you before using any SANYO products described or contained herein in such applications.

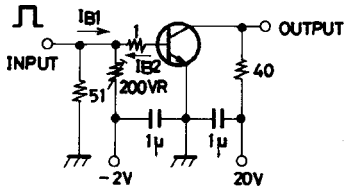
■ SANYO assumes no responsibility for equipment failures that result from using products at values that exceed, even momentarily, rated values (such as maximum ratings, operating condition ranges, or other parameters) listed in products specifications of any and all SANYO products described or contained herein.

# 2SA1606/2SC4159

Continued from preceding page.

Parameter	Symbol	Conditions	Ratings			Unit
			min	typ	max	
Collector-to-Emitter Saturation Voltage	$V_{CE(sat)}$	$I_C=(-)500mA, I_B=(-)50mA$		(-0.5)		V
				0.3		V
Collector-to-Base Breakdown Voltage	$V_{(BR)CBO}$	$I_C=(-)1mA, I_E=0$	(-180)			V
Collector-to-Emitter Breakdown Voltage	$V_{(BR)CEO}$	$I_C=(-)1mA, R_{BE}=\infty$	(-160)			V
Emitter-to-Base Breakdown Voltage	$V_{(BR)EBO}$	$I_E=(-)1mA, I_C=0$	(-6)			V
Turn-ON Time	$t_{on}$	See specified test circuit.		(0.29)		$\mu s$
		See specified test circuit.		0.15		$\mu s$
Fall Time	$t_f$	See specified test circuit.		(0.19)		$\mu s$
		See specified test circuit.		0.48		$\mu s$
Storage Time	$t_{stg}$	See specified test circuit.		(0.48)		$\mu s$
		See specified test circuit.		0.81		$\mu s$

## Switching Time Test Circuit

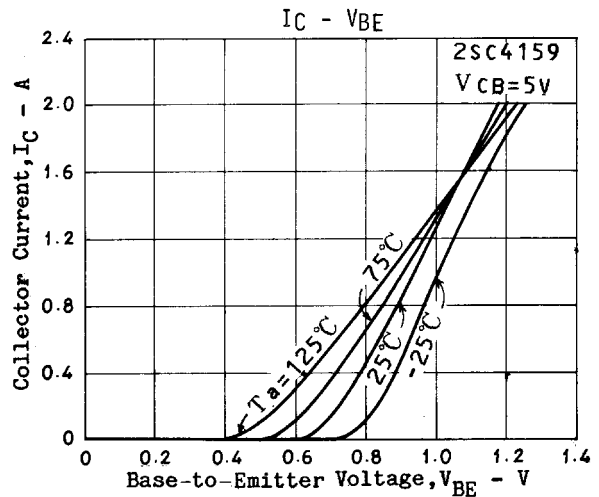
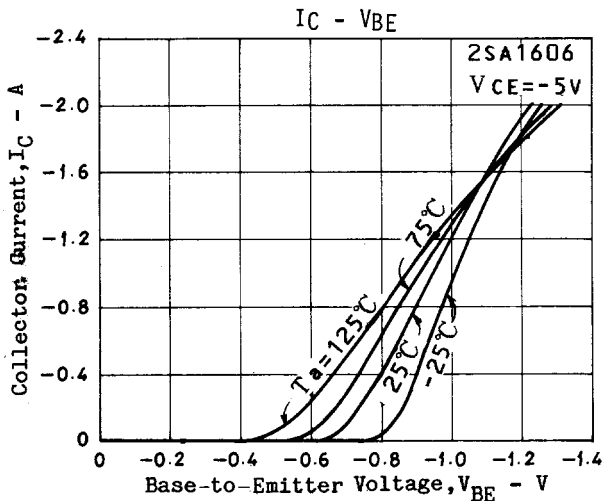
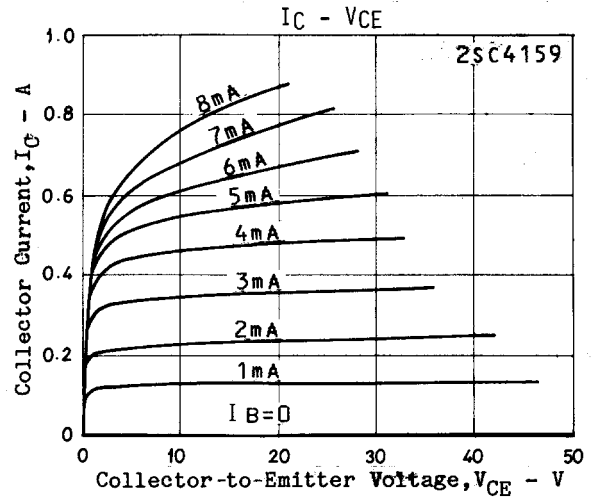
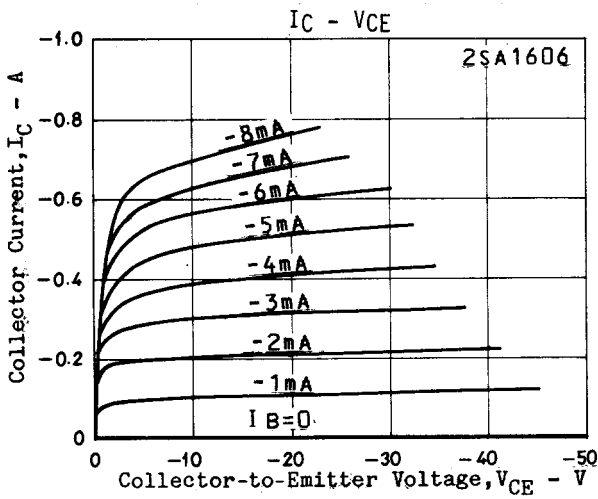


$$10I_{B1} = -10I_{B2} = I_C = 0.5A$$

$$PW = 20\mu s$$

For PNP, the polarity is reversed.

Unit (resistance :  $\Omega$ , capacitance : F)



# 2SA1606/2SC4159

