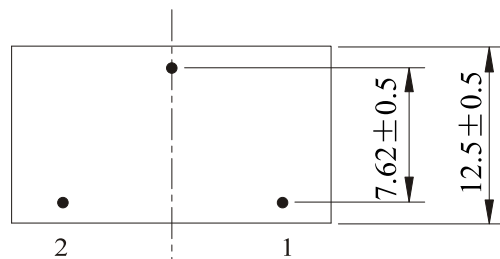
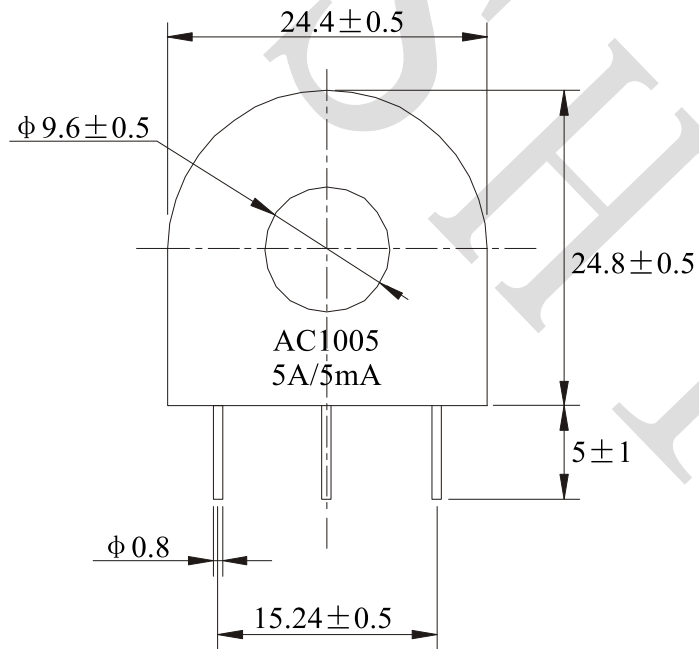




1. PHYSICAL CHARACTERISTICS (mm)

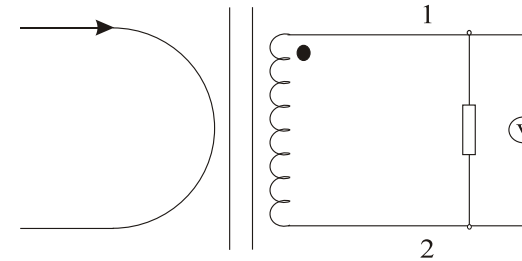


Bottom view

NOTES:

Temp 20°C 48%RH
RoHS Compliant

2. ELECTRONICAL SCHEMATIC



3. ELECTRONICAL SPECIFICATIONS

Turns ratio: 1000:1
 Rated current: 5A
 Output current: 5mA
 Hi-Pot: Pri to Sec AC3KV 1mA 1Min
 RDC: $41.8 \Omega \pm 15\% @ T=20^\circ C$
 Operating temperature: $-40^\circ C$ to $+85^\circ C$

4. MATERIAL LIST

NO	Materials	Specifications	Supplier
1	Shell	PC	SHANGHAIDALONG
2	Wire	2UEW	PENGTAI
3	Core	Ultramicro crystal	ZHONGTIANKELIN
4	Epoxy	9241#(A:B)	TAINJINQIAO

NAME:		Current transformer	
CUSTOMER P/N:	AC1005	DATE:	2021-08-20
SHINHOM P/N:	ACST010C-5A-5mA	REV: A0	PAGE: 1/1

DRAWN BY	CHECKED BY	APPROVE BY
----------	------------	------------



SHINHOM
SHAANXISHINHOM ENTERPRISE CO.LTD

The Document property belong to SHINHOM & is not allowed to be duplicated without authorization