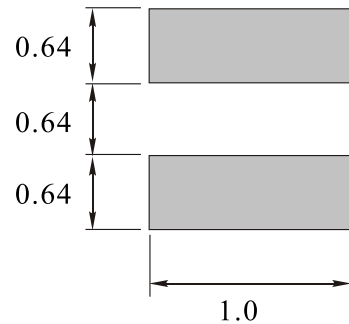
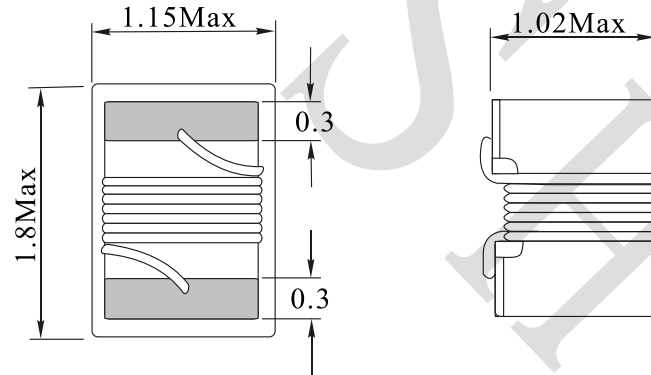
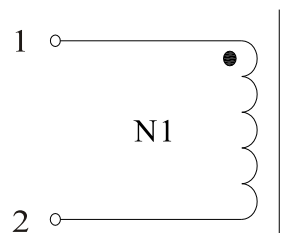


Rev.	Description	Date
A0	New release	2022.12.21

## 1. PHYSICAL CHARACTERISTICS (mm)



## 2. ELECTRONICAL SCHEMATIC



## 3. ELECTRONICAL SPECIFICATIONS

L: 18nH ± 2% @ 100MHz, 0.2V

Q: 40 typ. @ 250MHz

DCR: 0.17 Ω Max

Idc : 550mA Max

SRF: 5500MHz Min

Operating temperature: -55°C to +125°C

### Test Instrument:

L, Q: HP4291A

RDC: HM2540

IDC: WK3260B

SRF: HP8720C

### Note:

1. Solderability: leads shall meet MIL-STD-202, Method 208D for solderability.
2. Flammability: UL94V-0
3. ASTM oxygen index: >28%

NAME:	Surface-mount wire-wound ferrite chip inductors		
CUSTOMER P/N:	LQW18AN18NG00D	DATE:	2022-12-21
SHINHOM P/N:	AISC0603-18NG-0.55A	REV: A0	PAGE
DRAWN BY	CHECKED BY	APPROVE BY	



**SHINHOM**  
SHAANXISHINHOM ENTERPRISE CO LTD

The Document property belong to SHINHOM & is not allowed to be duplicated without authorization