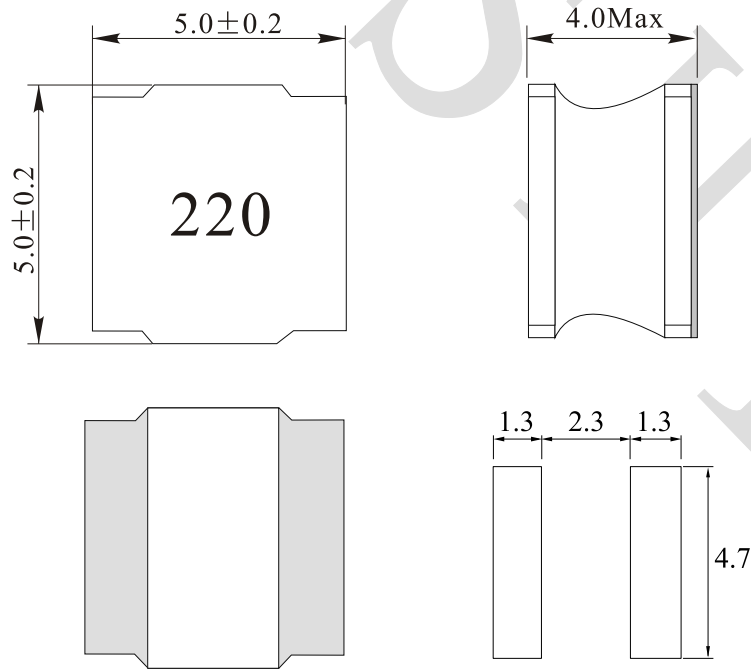


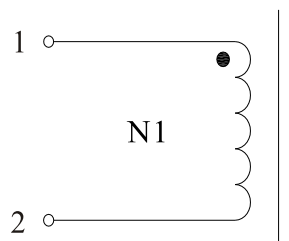
| Rev. | Description | Date       |
|------|-------------|------------|
| A0   | New release | 2022.12.05 |
|      |             |            |
|      |             |            |

## 1. PHYSICAL CHARACTERISTICS (mm)



Suggested pad layout

## 2. ELECTRONICAL SCHEMATIC



## 3. ELECTRONICAL SPECIFICATIONS

|       |                                    |
|-------|------------------------------------|
| L:    | 22uH ± 20% @ 100KHz, 1V            |
| Q:    | 17 Ref @ 2.52MHz                   |
| DCR:  | 152mΩ Max                          |
| Irms: | 1.4A Max (Temp. rise 40°C Max)     |
| Isat: | 1.6A Max (Inductance drop 30% Max) |
| SRF:  | 11MHz Typ.                         |

Operating temperature: -40°C to +125°C

(Including temp. rise 40°C)

Storage temperature: -40°C to +85°C

Test Instrument:

L: HP4284A, RDC: HM2540

Note:

- Solderability: leads shall meet MIL-STD-202, Method 208D for solderability.
- Flammability: UL94V-0
- ASTM oxygen index: >28%

|               |                             |            |            |
|---------------|-----------------------------|------------|------------|
| NAME:         | Magnetic Shielded inductors |            |            |
| CUSTOMER P/N: | SRN5040-220M                | DATE:      | 2022-12-05 |
| SHINHOM P/N:  | LPS5040-220M-1.4A           | REV:       | A0         |
| DRAWN BY      | CHECKED BY                  | APPROVE BY |            |



**SHINHOM**  
SHAANXISHINHOM ENTERPRISE CO LTD

The Document property belong to SHINHOM & is not allowed to be duplicated without authorization