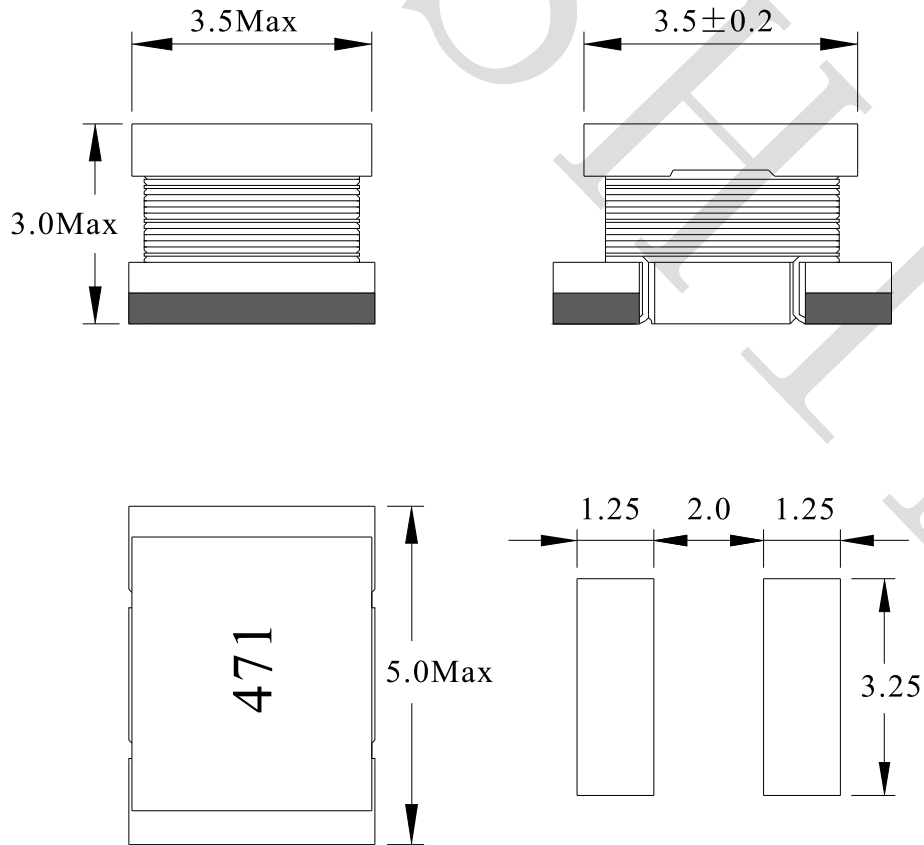
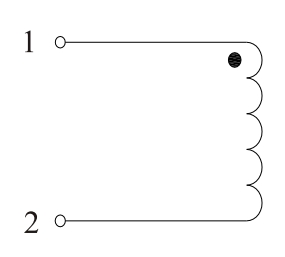


1. PHYSICAL CHARACTERISTICS (mm)



2. ELECTRONICAL SCHEMATIC



3. ELECTRONICAL SPECIFICATIONS

L(1-2): 470uH ± 10% @ 1KHz, 0.25V
 DCR(1-2): 11.8 Ω Max
 IDC: 0.08A Max
 SRF: 3MHz Min

Operating temperature: -40°C to +105°C
 Storage temperature: -40°C to +125°C

Note:

1. Solderability: leads shall meet MIL-STD-202, Method 208D for solderability.
2. Flammability: UL94V-0
3. ASTM oxygen index: >28%

Test Instrument:

L: HP4284A
 RDC: HM2540

NOTES:

Tape and reel packaging available for SMT options
 RoHS Compliant

NAME:	SMD Inductor		
CUSTOMER P/N:	LQH43MN471K03L	DATE:	2022-12-06
SHINHOM P/N:	LQH1812-471K-0.08A	REV: A0	PAGE
DRAWN BY	CHECKED BY	APPROVE BY	



SHINHOM
 SHAANXISHINHOM ENTERPRISE CO LTD

The Document property belong to SHINHOM & is not allowed to be duplicated without authorization