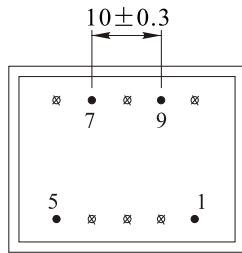
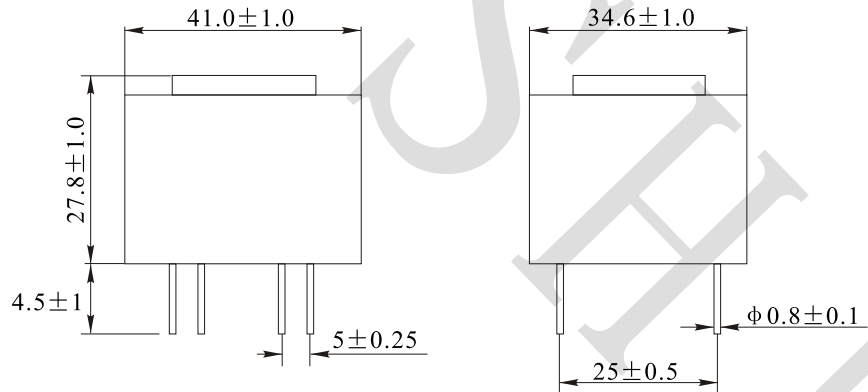


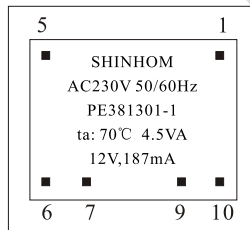
Rev.	Description	Date
A0	New release	2022.11.17

### 1. PHYSICAL CHARACTERISTICS (mm)

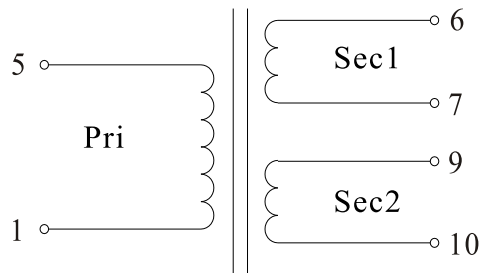


Bottom view

#### Top marking



### 2. ELECTRONICAL SCHEMATIC



### 3. ELECTRONICAL SPECIFICATIONS

Pri voltage: 230V, 50Hz

Load voltage: Sec1: 12.0V ± 5% V @ 187mA

Sec2: 12.0V ± 5% V @ 187mA

No-load voltage: Sec1: 18.4V ± 5%

Sec2: 18.4V ± 5%

Output Power: 10VA

Hi-Pot: 4000V, 50Hz, 1mA, 10S Pri to Sec

#### Note:

1. Solderability: leads shall meet MIL-STD-202,

Method 208D for solderability.

2. Flammability: UL94V-0

3. ASTM oxygen index: >28%

NAME:	Potting Transformer		
CUSTOMER P/N:	BV EI382 1192	DATE:	2022-11-17
SHINHOM P/N:	PE381301-1	REV: A0	PAGE
DRAWN BY	CHECKED BY	APPROVE BY	



**SHINHOM**

SHAANXISHINHOM ENTERPRISE CO LTD

The Document property belong to SHINHOM & is not allowed to be duplicated without authorization