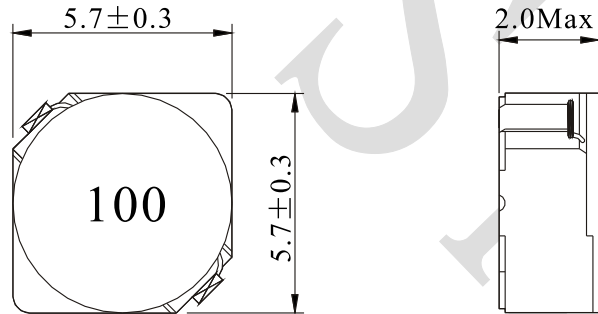
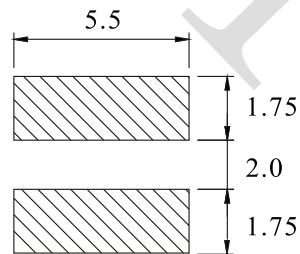
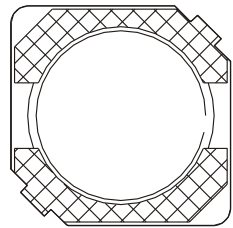


Rev.	Description	Date
A0	New release	2022.12.05

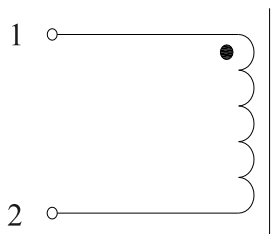
### 1. PHYSICAL CHARACTERISTICS (mm)



#### LAND PATTERNS



### 2. ELECTRONICAL SCHEMATIC



### 3. ELECTRONICAL SPECIFICATIONS

L: 100uH ± 30% @ 10KHz, 0.1V

DCR: 124mΩ Max

Isat: 1.2A Max (Inductance drop 35% Max)

Operating temperature: -40°C to +125°C

Storage temperature: -40°C to +125°C

#### Test Instrument:

L: HP4284A

RDC: HM2540

#### Note:

1. Solderability: leads shall meet MIL-STD-202, Method 208D for solderability.
2. Flammability: UL94V-0
3. ASTM oxygen index: >28%

NAME:	Magnetic shielded surface-mount power inductors		
CUSTOMER P/N:	CDRH5D18NP-100NC	DATE:	2022-12-05
SHINHOM P/N:	SDRH5D18-100N-1.2A	REV: A0	PAGE
DRAWN BY	CHECKED BY	APPROVE BY	



**SHINHOM**  
SHAANXISHINHOM ENTERPRISE CO LTD

The Document property belong to SHINHOM & is not allowed to be duplicated without authorization