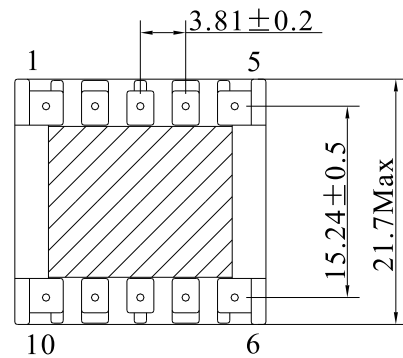
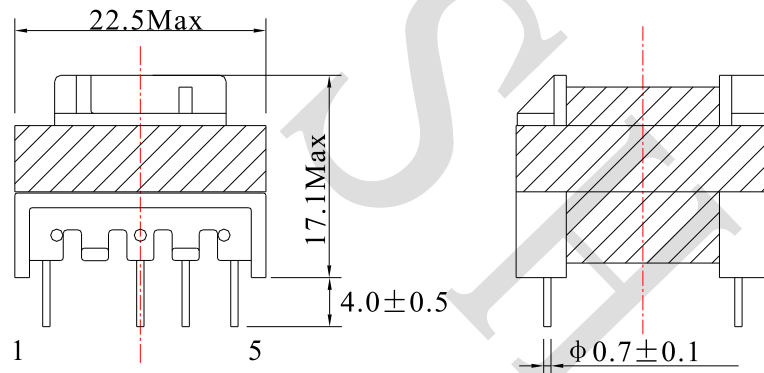


Rev.	Description	Date
A0	New release	2023.01.17

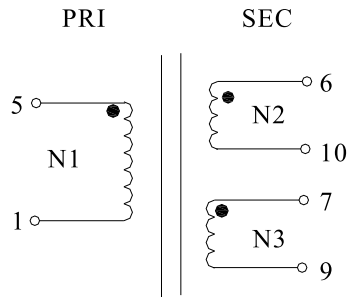
MECHANICAL DIMENSION:(UNIT:mm)



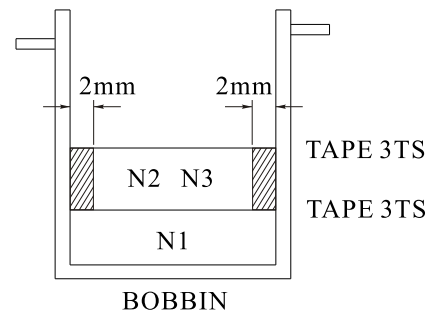
MARKING

V50212

SCHEMATIC:



WINDING CONSTRUCTION:



WINDING:

WDG	TERMINAL	WIRE SIZE	TURNS	TAPE	REMARKS
N1	5-1	2UEW-F ϕ 0.25mm*1p	140TS	3TS	
N2	6-10	TEX-E ϕ 0.4mm*1p	12TS	3TS	Bifilar winding
N3	7-9	TEX-E ϕ 0.4mm*1p	12TS		

ELECTRICAL CHARACTER:

NO.	ITEM	MEASURED POINT	TECHNICAL DATA	TEST CONDITION & INSTRUMENT
1	Inductance	L 5-1	3.0mH \pm 10%	1.0KHz 0.25V
2	HI-POT	PRI TO SEC	1.5KV 50Hz,5mA,3S	epe 7112
		COIL-CORE	1.0KV 50Hz,5mA,3S	

MATERIAL LIST:

NO.	ITEM	MATERIALS	RATING	FILE NO	SUPPLIERS
1	BOBBIN	PHENOLIC T375J	130 $^{\circ}$ C	E59481(S)	CHANGCHUN PLASTICS CO.,LTD
		UL RATING:94V-0			
2	CORE	TP4 GAP=0	---	---	TDG
		PC40	---	---	TDK
3	WIRE	2UEW-F	155 $^{\circ}$ C	E239508	SHANTOU SHENGANG ELECTRICAL INDUSTRIAL CO LTD
		TEX-E	120 $^{\circ}$ C	E350162	SHENZHEN YOUKEHUI TECHNOLOGY CO.,LTD
4	TAPE	PZ-280	130 $^{\circ}$ C	E165111	JINGJIANG YAHUA PRESSURE SENSITIVE GLUE CO., LTD.
5	VARNISH	T4260A	130 $^{\circ}$ C	E228349	WU JIANG TAIHU INSULATING MATERIAL CO LTD

NAME:	Transformer		
CUSTOMER P/N:	V50212	DATE:	2023-01-17
SHINHOM P/N:	TEF20-119	REV:	A0
DRAWN BY	CHECKED BY	APPROVE BY	



SHINHOM
SHAANXISHINHOM ENTERPRISE CO LTD

The Document property belong to SHINHOM & is not allowed to be duplicated without authorization

PAGE