



**11mm Carbon Semi-Fixed Potentiometer**

**SH-R114S**

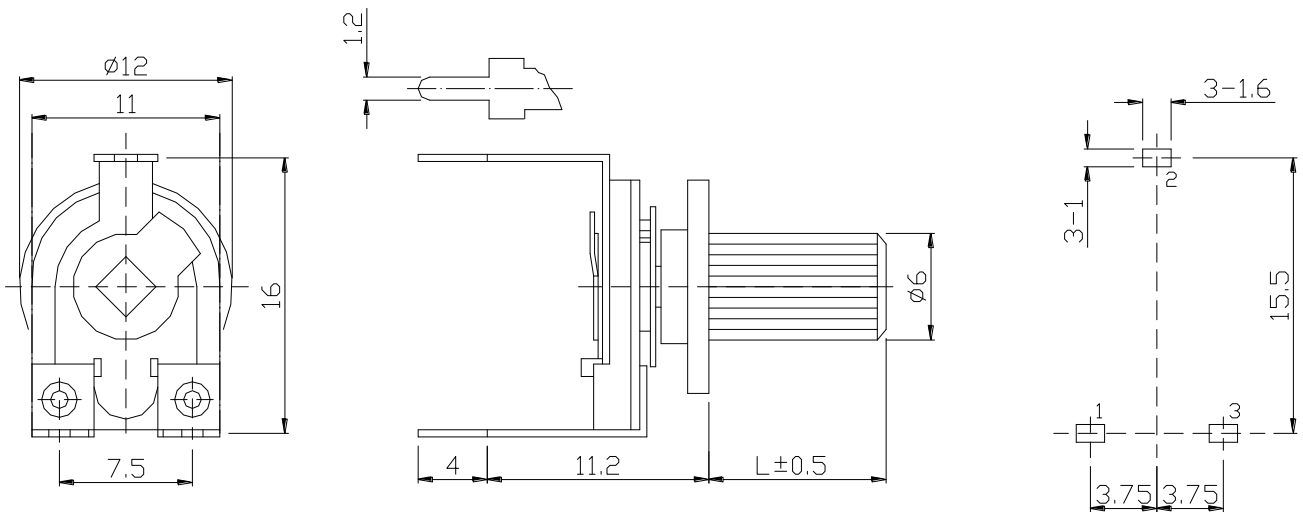


**Part Number**

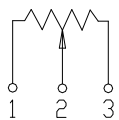
**SH-R114S – 50K**

↓  
Resistance value

**Dimensions**



CIRCUIT



<b>L</b>	<b>10</b>	<b>15</b>
----------	-----------	-----------

**11mm Carbon Semi-Fixed Potentiometer****General**

Operating temperature	-20°C ~ +85 °C
Soldering conditions	260°C 3±1 seconds

**Electrical Characteristics**

Total resistance	500Ω ~ 5MΩ
Resistance tolerance	±20% 500Ω or 500KΩ : ±30%
Resistance taper	A B C
Residual resistance	Term1-2: Less than 20Ω or < 1% Term2-3: Less than 20Ω or < 1%
Rated power(W)	0.15W/40°C ; 0W/85°C
Max. Operating voltage	AC 200V
Insulation resistance	More than 100 MΩ at DC 500 V
Withstand voltage	1 Minute at AC 500V
Rotation Noise	150mV Max.
Resistance temperature coefficient	850 ppm/°C

**Mechanical Characteristics**

Total rotational angle	270°±10°
Rotational torque	40 ~ 250 gf.cm
Rotational stopper strength	0.5 Kgf-cm
Rotational life	1000 Cycles.