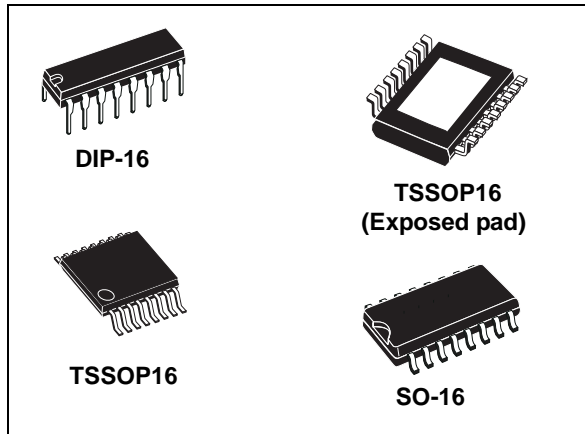


Low voltage, low current power 8-bit shift register

Datasheet - production data



Description

The STP08CP05 is a monolithic, low voltage, low current, power 8-bit shift register designed for LED panel displays. The STP08CP05 contains an 8-bit serial-in, parallel-out shift register that feeds an 8-bit D-type storage register. In the output stage, eight regulated current sources were designed to provide 5-100 mA constant current to drive the LEDs, the output current setup time is 11 ns (typ), thus improving the system performance.

The STP08CP05 is backward compatible in functionality and footprint with STP8C/L596. Through an external resistor, users can adjust the STP08CP05 output current, controlling in this way the light intensity of LEDs, in addition, user can adjust LED's brightness intensity from 0% to 100% via \overline{OE} pin.

The STP08CP05 guarantees a 20 V output driving capability, allowing users to connect more LEDs in series. The high clock frequency, 30 MHz, also satisfies the system requirement of high volume data transmission. The 3.3 V of voltage supply is useful for applications that interface with any micro from 3.3 V. Compared with a standard TSSOP package, the TSSOP exposed pad increases heat dissipation capability by a 2.5 factor.

Features

- Low voltage power supply down to 3 V
- 8 constant current output channels
- Adjustable output current through external resistor
- Serial data IN/parallel data OUT
- 3.3 V micro driver-able
- Output current: 5-100 mA
- 30 MHz clock frequency
- Available in high thermal efficiency TSSOP exposed pad
- ESD protection 2.5 kV HBM, 200 V MM

Table 1. Device summary

| Order codes | Package | Packaging |
|---------------|-------------------------------------|---------------------|
| STP08CP05B1R | DIP-16 | 25 parts per tube |
| STP08CP05MTR | SO-16 (Tape and reel) | 2500 parts per reel |
| STP08CP05TTR | TSSOP16 (Tape and reel) | 2500 parts per reel |
| STP08CP05XTTR | TSSOP16 exposed-pad (Tape and reel) | 2500 parts per reel |

Contents

| | | |
|-----------|---|-----------|
| 1 | Summary description | 3 |
| 1.1 | Pin connection and description | 3 |
| 2 | Block diagram | 4 |
| 3 | Maximum rating | 5 |
| 3.1 | Absolute maximum ratings | 5 |
| 3.2 | Thermal data | 5 |
| 3.3 | Recommended operating conditions | 6 |
| 4 | Electrical characteristics | 7 |
| 5 | Switching characteristics | 8 |
| 6 | Equivalent circuit and outputs | 9 |
| 7 | Truth table and timing diagram | 11 |
| 7.1 | Truth table | 11 |
| 7.2 | Timing diagram | 11 |
| 8 | Typical characteristics | 14 |
| 9 | Test circuit | 17 |
| 10 | Package mechanical data | 19 |
| 11 | Packaging mechanical data | 28 |
| 12 | Revision history | 30 |

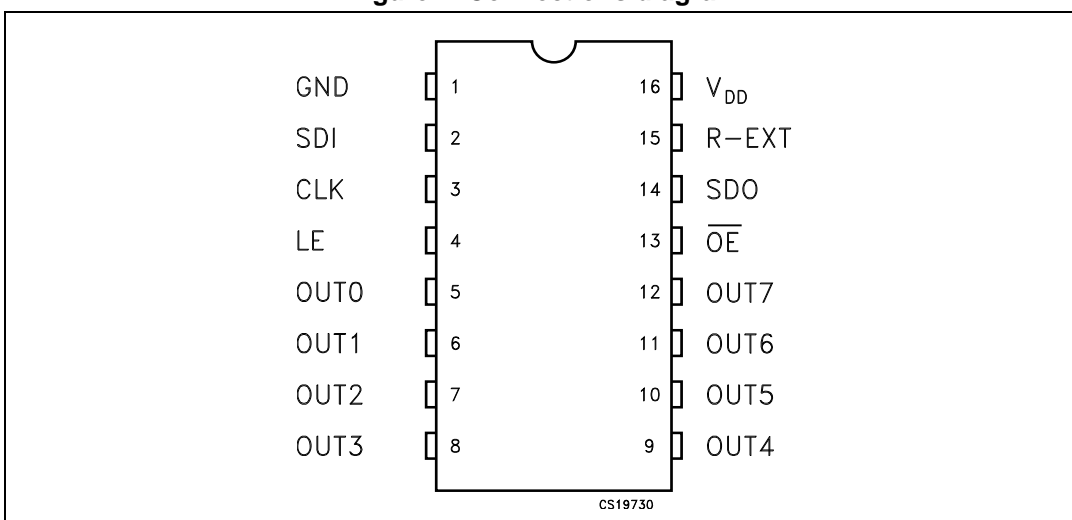
1 Summary description

Table 2. Typical current accuracy

| Output voltage | Current accuracy | | Output current |
|----------------|------------------|-------------|----------------|
| | Between bits | Between ICs | |
| ≥ 1.3 V | ± 1.5% | ± 3% | 20 to 100 mA |

1.1 Pin connection and description

Figure 1. Connections diagram



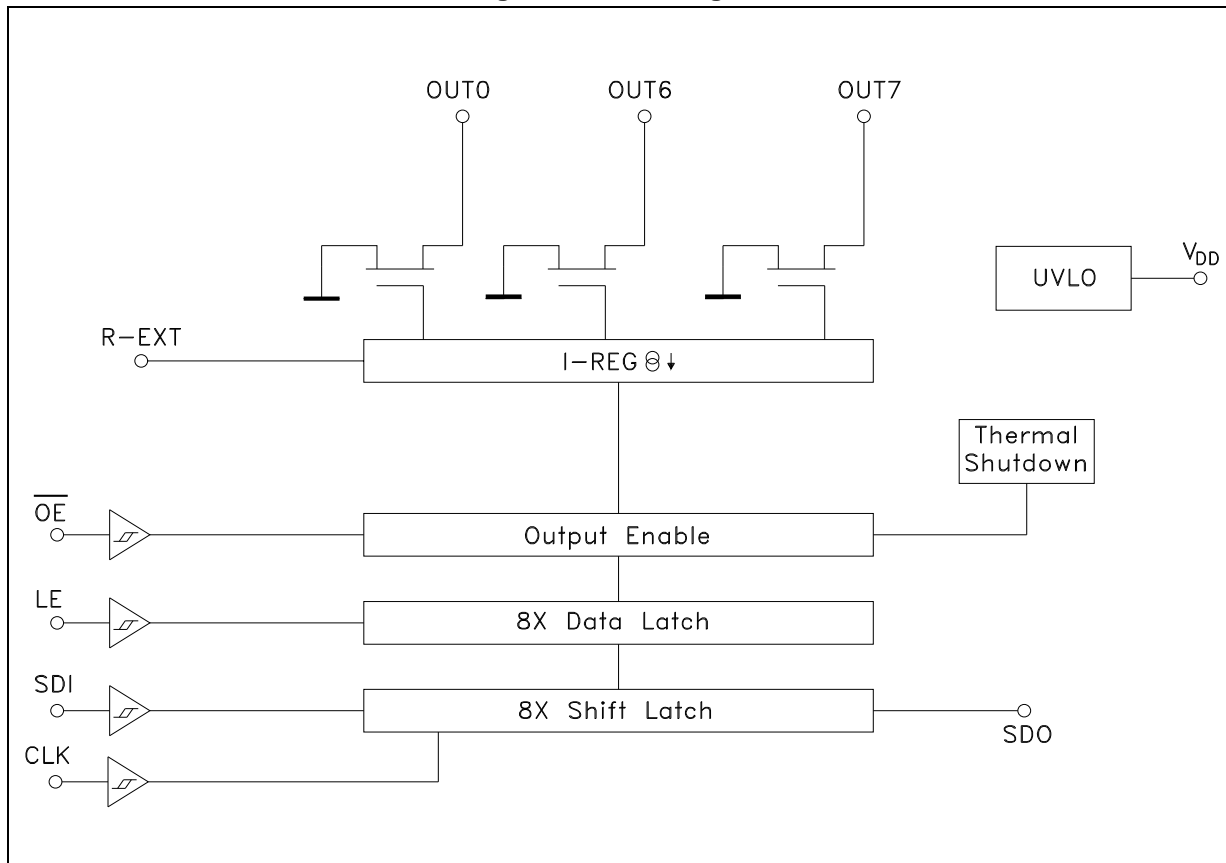
Note: The exposed pad should be electrically connected to a metal land electrically isolated or connected to ground.

Table 3. Pin description

| Pin N° | Symbol | Name and function |
|--------|-----------------|---|
| 1 | GND | Ground terminal |
| 2 | SDI | Serial data input terminal |
| 3 | CLK | Clock input terminal |
| 4 | LE | Latch input terminal |
| 5-12 | OUT 0-7 | Output terminal |
| 13 | \overline{OE} | Output enable input terminal (active low) |
| 14 | SDO | Serial data out terminal |
| 15 | R-EXT | Constant current programming |
| 16 | V_{DD} | 5 V supply voltage terminal |

2 Block diagram

Figure 2. Block diagram



3 Maximum rating

Stressing the device above the rating listed in the “absolute maximum ratings” table may cause permanent damage to the device. these are stress ratings only and operation of the device at these or any other conditions above those indicated in the operating sections of this specification is not implied. Exposure to absolute maximum rating conditions for extended periods may affect device reliability.

3.1 Absolute maximum ratings

Table 4. Absolute maximum ratings

| Symbol | Parameter | Value | Unit |
|-----------|-----------------------------|-------------|------|
| V_{DD} | Supply voltage I_{GND} | 0 to 7 | V |
| V_O | Output voltage | -0.5 to 20 | V |
| I_O | Output current | 100 | mA |
| I_{GND} | GND terminal current | 800 | mA |
| f_{CLK} | Clock frequency | 50 | MHz |
| T_{OPR} | Operating temperature range | -40 to +125 | °C |
| T_{STG} | Storage temperature range | -55 to +150 | °C |

3.2 Thermal data

Table 5. Thermal data

| Symbol | Parameter | DIP-16 | SO-16 | TSSOP-16 | TSSOP-16 ⁽¹⁾ (exposed pad) | Unit |
|------------|-------------------------------------|--------|-------|----------|--|------|
| R_{thJA} | Thermal resistance junction-ambient | 90 | 125 | 140 | 37.5 | °C/W |

1. The exposed-pad should be soldered to the PBC to realize the thermal benefits

3.3 Recommended operating conditions

Table 6. Recommended operating conditions

| Symbol | Parameter | Test conditions | Min | Typ | Max | Unit |
|----------------|-----------------------------|--|----------------------------------|-----|--------------|------|
| V_{DD} | Supply voltage | | 3.0 | | 5.5 | V |
| V_O | Output voltage | | | | 20 | V |
| I_O | Output current | OUTn | 5 | | 100 | mA |
| I_{OH} | Output current | SERIAL-OUT | | | +1 | mA |
| I_{OL} | Output current | SERIAL-OUT | | | -1 | mA |
| V_{IH} | Input voltage | | $0.7 V_{DD}$ | | $V_{DD}+0.3$ | V |
| V_{IL} | Input voltage | | -0.3 | | $0.3 V_{DD}$ | V |
| t_{wLAT} | LE pulse width | $V_{DD} = 3.0 \text{ to } 5.0 \text{ V}$ | 20 | | | ns |
| t_{wCLK} | CLK pulse width | | 20 | | | ns |
| t_{wEN} | \overline{OE} pulse width | | 200 | | | ns |
| $t_{SETUP(D)}$ | Setup time for DATA | | 7 | | | ns |
| $t_{HOLD(D)}$ | Hold time for DATA | | 4 | | | ns |
| $t_{SETUP(L)}$ | Setup time for LATCH | | 15 | | | ns |
| f_{CLK} | Clock frequency | | Cascade operation ⁽¹⁾ | | | 30 |

1. In order to achieve high cascade data transfer, please consider t_r/t_f timings carefully.

4 Electrical characteristics

$V_{DD} = 3.3\text{ V to }5\text{ V}$, $T = 25\text{ }^{\circ}\text{C}$, unless otherwise specified.

Table 7. Electrical characteristics

| Symbol | Parameter | Test conditions | Min | Typ | Max | Unit |
|------------------|--|---|-----------------------------------|-----------|-------------|--------------------|
| V_{IH} | Input voltage high level | | $0.7 V_{DD}$ | | V_{DD} | V |
| V_{IL} | Input voltage low level | | GND | | $0.3V_{DD}$ | V |
| I_{OH} | Output leakage current | $V_{OH} = 20\text{ V}$ | | 0.5 | 10 | μA |
| V_{OL} | Output voltage (Serial-OUT) | $I_{OL} = 1\text{ mA}$ | | 0.03 | 0.4 | V |
| V_{OH} | Output voltage (Serial-OUT) | $I_{OH} = -1\text{ mA}$ | $V_{OH} - V_{DD} = -0.4\text{ V}$ | | | V |
| I_{OL1} | Output current | $V_O = 0.3\text{ V}$, $R_{ext} = 3.9\text{ k}\Omega$ | 4.25 | 5 | 5.75 | mA |
| I_{OL2} | | $V_O = 0.3\text{ V}$, $R_{ext} = 970\ \Omega$ | 19.4 | 20 | 20.6 | |
| I_{OL3} | | $V_O = 1.3\text{ V}$, $R_{ext} = 190\ \Omega$ | 97 | 100 | 103 | |
| ΔI_{OL1} | Output current error between bit (All Output ON) | $V_O = 0.3\text{ V}$, $R_{EXT} = 3.9\text{ k}\Omega$ | | ± 5 | ± 8 | % |
| ΔI_{OL2} | | $V_O = 0.3\text{ V}$, $R_{EXT} = 970\ \Omega$ | | ± 1.5 | ± 2.75 | |
| ΔI_{OL3} | | $V_O = 1.3\text{ V}$, $R_{EXT} = 190\ \Omega$ | | ± 1.2 | ± 2.5 | |
| $R_{SIN(up)}$ | Pull-up resistor | | 150 | 300 | 600 | $\text{K}\Omega$ |
| $R_{SIN(down)}$ | Pull-down resistor | | 100 | 200 | 400 | $\text{K}\Omega$ |
| $I_{DD(OFF1)}$ | Supply current (OFF) | $R_{EXT} = 980$ OUT 0 to 7 = OFF | | 4 | 5 | mA |
| $I_{DD(OFF2)}$ | | $R_{EXT} = 250$ OUT 0 to 7 = OFF | | 11.2 | 13.5 | |
| $I_{DD(ON1)}$ | Supply current (ON) | $R_{EXT} = 980$ OUT 0 to 7 = ON | | 4.5 | 5 | |
| $I_{DD(ON2)}$ | | $R_{EXT} = 250$ OUT 0 to 7 = ON | | 11.7 | 13.5 | |
| Thermal | Thermal protection ⁽¹⁾ | | | 170 | | $^{\circ}\text{C}$ |

1. Guaranteed by design (not tested)
The thermal protection switches OFF only the outputs

5 Switching characteristics

$V_{DD} = 5\text{ V}$, $T = 25\text{ °C}$, unless otherwise specified.

Table 8. Switching characteristics

| Symbol | Parameter | Test conditions | | Min | Typ | Max | Unit | |
|------------|--|--|---|-------------------------|-----|------|------|----|
| t_{PLH1} | Propagation delay time, CLK-OUTn, LE = H, OE = L | $V_{DD} = 3.3\text{ V}$ $V_{IL} = \text{GND}$ $I_O = 20\text{ mA}$ $R_{EXT} = 1\text{ K}\Omega$ | $V_{IH} = V_{DD}$ $C_L = 10\text{ pF}$ $V_L = 3.0\text{ V}$ $R_L = 60\text{ }\Omega$ | $V_{DD} = 3.3\text{ V}$ | | 35 | 50 | ns |
| | | | | $V_{DD} = 5\text{ V}$ | | 18 | 28 | |
| t_{PLH2} | Propagation delay time, LE -OUTn, OE = L | | | $V_{DD} = 3.3\text{ V}$ | | 48 | 74 | ns |
| | | | | $V_{DD} = 5\text{ V}$ | | 30 | 50 | |
| t_{PLH3} | Propagation delay time, OE -OUTn, LE = H | | | $V_{DD} = 3.3\text{ V}$ | | 55 | 82 | ns |
| | | | | $V_{DD} = 5\text{ V}$ | | 37 | 58 | |
| t_{PLH} | Propagation delay time, CLK-SDO | | | $V_{DD} = 3.3\text{ V}$ | | 21 | 28 | ns |
| | | | | $V_{DD} = 5\text{ V}$ | | 17 | 22 | |
| t_{PHL1} | Propagation delay time, CLK-OUTn, LE = H, OE = L | | | $V_{DD} = 3.3\text{ V}$ | | 11 | 17 | ns |
| | | | | $V_{DD} = 5\text{ V}$ | | 7 | 11 | |
| t_{PHL2} | Propagation delay time, LE -OUTn, OE = L | $V_{DD} = 3.3\text{ V}$ | | 24 | 40 | ns | | |
| | | $V_{DD} = 5\text{ V}$ | | 21 | 31 | | | |
| t_{PHL3} | Propagation delay time, OE -OUTn, LE = H | $V_{DD} = 3.3\text{ V}$ | | 20 | 35 | ns | | |
| | | $V_{DD} = 5\text{ V}$ | | 18 | 28 | | | |
| t_{PHL} | Propagation delay time, CLK-SDO | $V_{DD} = 3.3\text{ V}$ | | 24 | 32 | ns | | |
| | | $V_{DD} = 5\text{ V}$ | | 19 | 25 | | | |
| t_{ON} | Output rise time 10~90% of voltage waveform | $V_{DD} = 3.3\text{ V}$ | | 26 | 40 | ns | | |
| | | $V_{DD} = 5\text{ V}$ | | 11 | 17 | | | |
| t_{OFF} | Output fall time 90~10% of voltage waveform | $V_{DD} = 3.3\text{ V}$ | | 5 | 10 | ns | | |
| | | $V_{DD} = 5\text{ V}$ | | 4 | 8 | | | |
| t_r | CLK rise time ⁽¹⁾ | | | | | 5000 | ns | |
| t_f | CLK fall time ⁽¹⁾ | | | | | 5000 | ns | |

1. In order to achieve high cascade data transfer, please consider t_r/t_f timings carefully.

6 Equivalent circuit and outputs

Figure 3. $\overline{\text{OE}}$ terminal

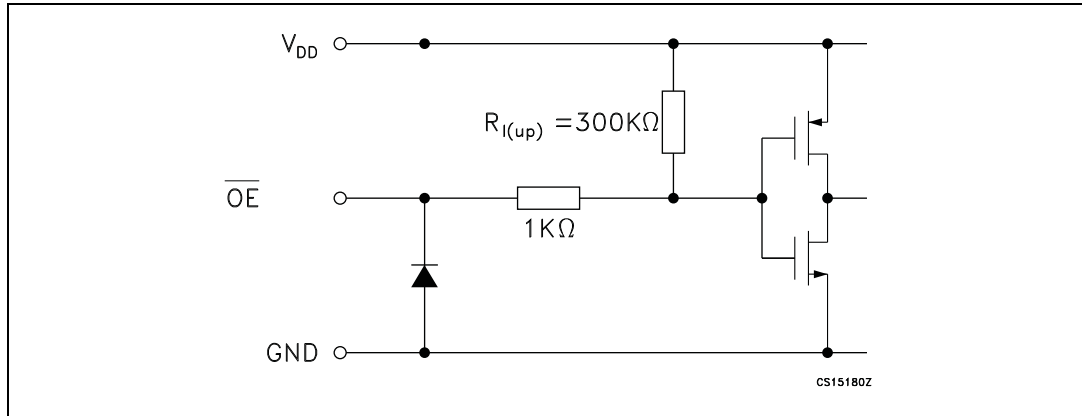


Figure 4. LE terminal

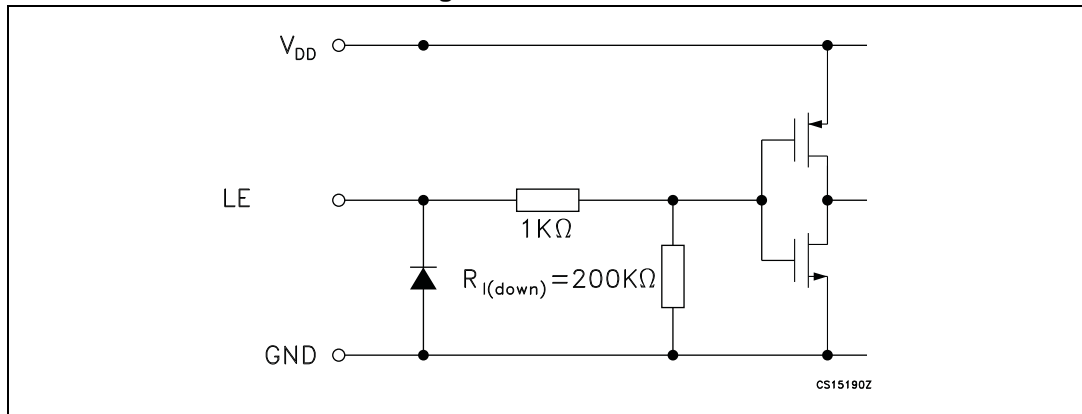


Figure 5. CLK, SDI terminal

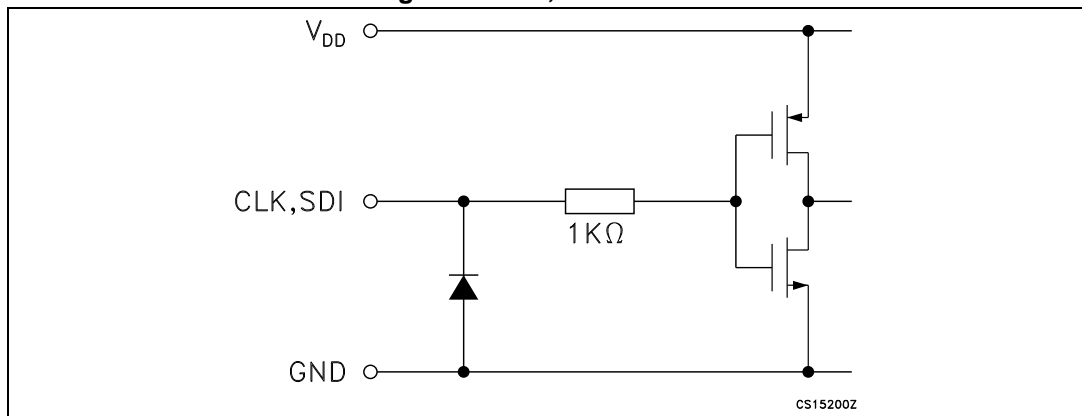
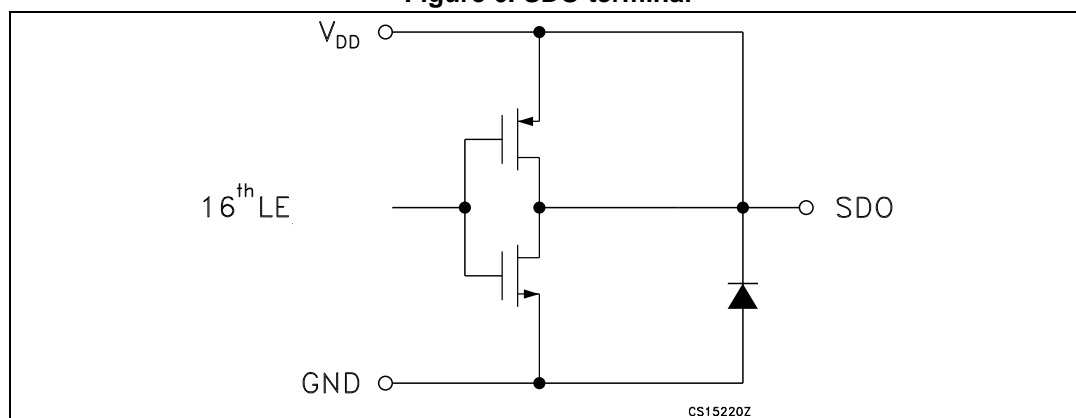


Figure 6. SDO terminal



7 Truth table and timing diagram

7.1 Truth table

Table 9. Truth table

| Clock | \overline{LE} | \overline{OE} | SDI | $\overline{OUT0}$ $\overline{OUT0}$ $\overline{OUT7}$ | SDO |
|-------|-----------------|-----------------|--------|--|-------|
| | H | L | Dn | Dn Dn -5 Dn -7 | Dn -7 |
| | L | L | Dn + 1 | No change | Dn -7 |
| | H | L | Dn + 2 | $\overline{Dn +2}$ $\overline{Dn -3}$ $\overline{Dn -5}$ | Dn -5 |
| | X | L | Dn + 3 | $\overline{Dn +2}$ $\overline{Dn -3}$ $\overline{Dn -5}$ | Dn -5 |
| | X | H | Dn + 3 | OFF | Dn -5 |

Note: $OUT0$ to $OUT7$ = ON when $Dn = H$; $OUT0$ to $OUT7$ = OFF when $Dn = L$.

7.2 Timing diagram

Figure 7. Timing diagram

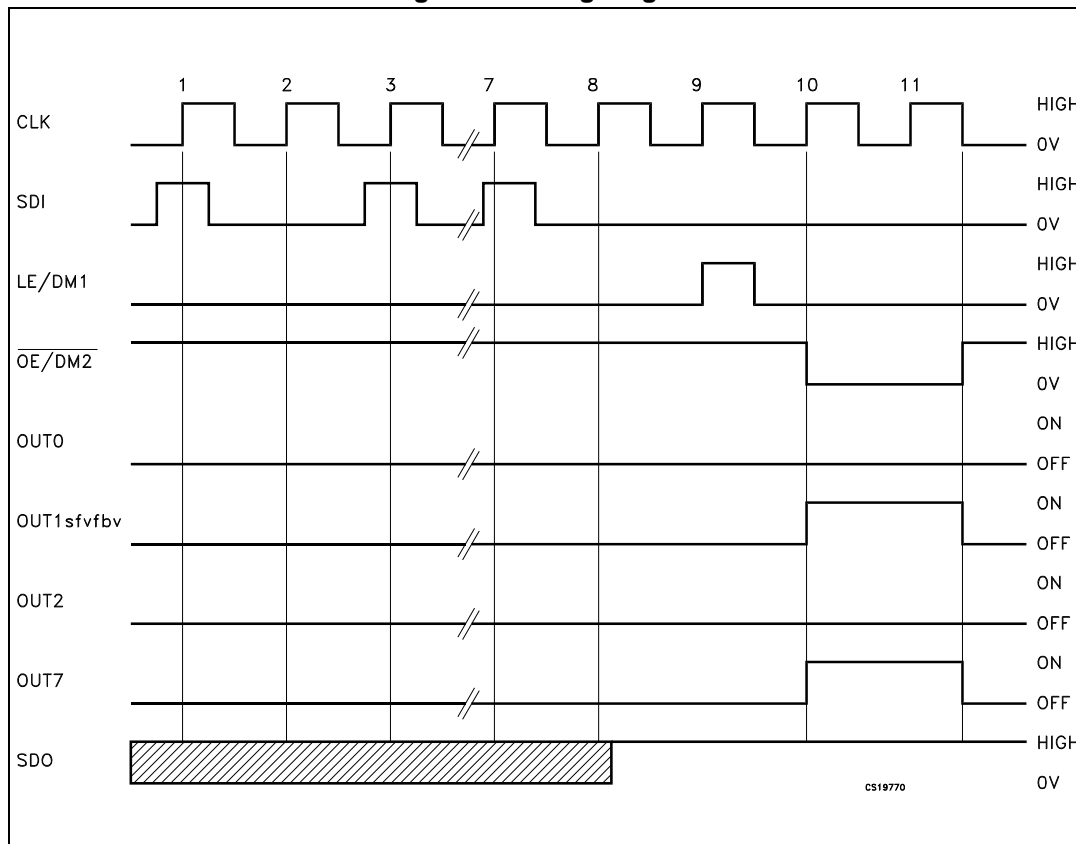


Figure 8. Clock, serial-in, serial-out

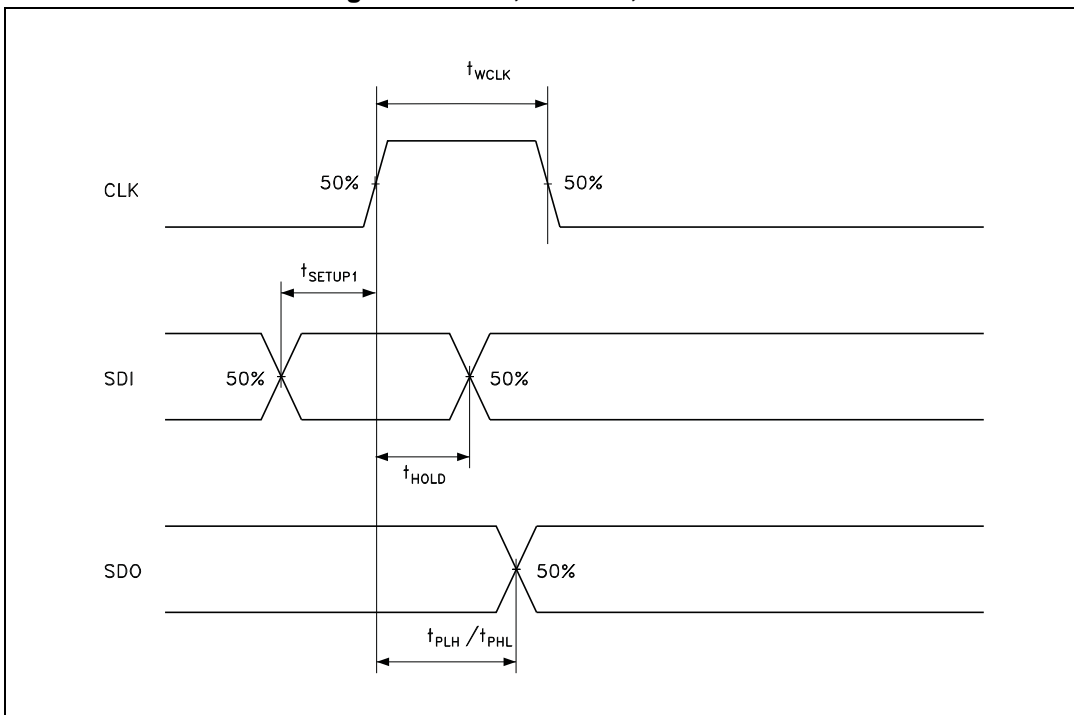


Figure 9. Clock, serial-in, latch, enable, outputs

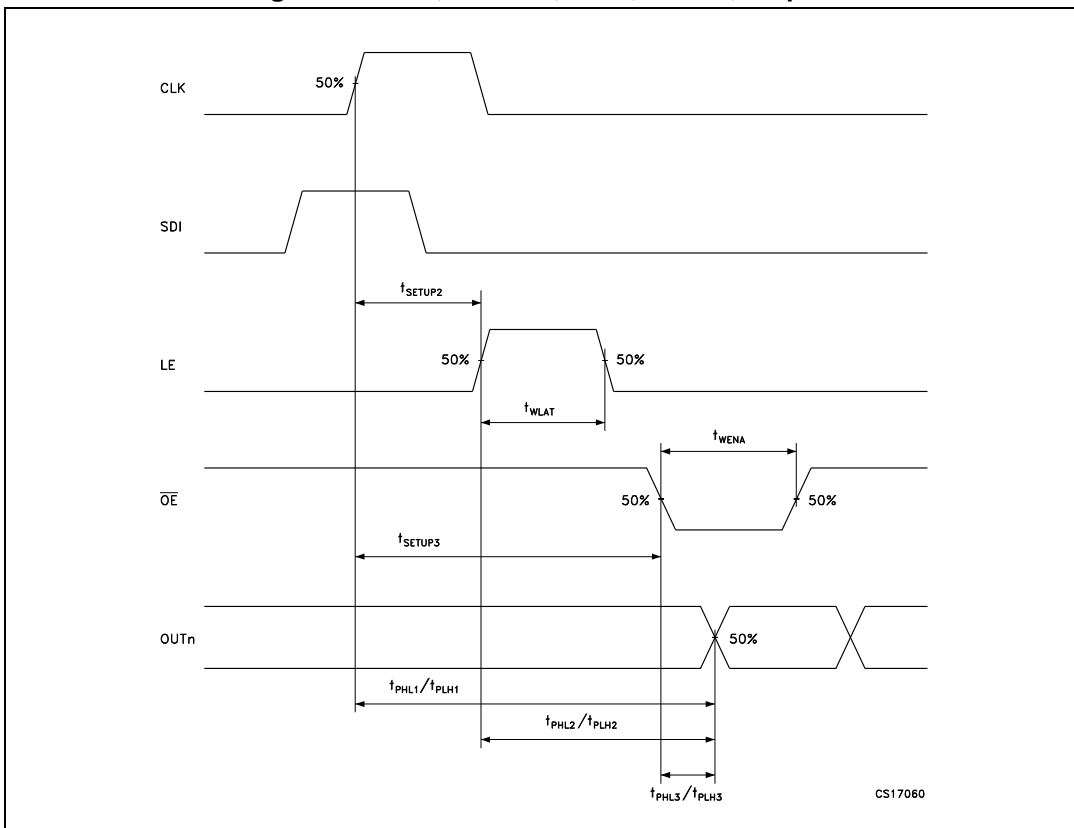
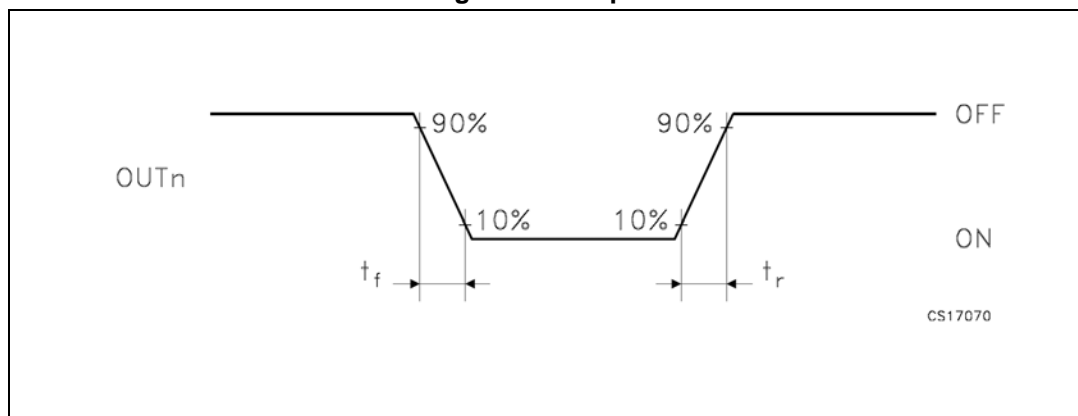


Figure 10. Outputs



8 Typical characteristics

Figure 11. Output current- R_{EXT} resistor

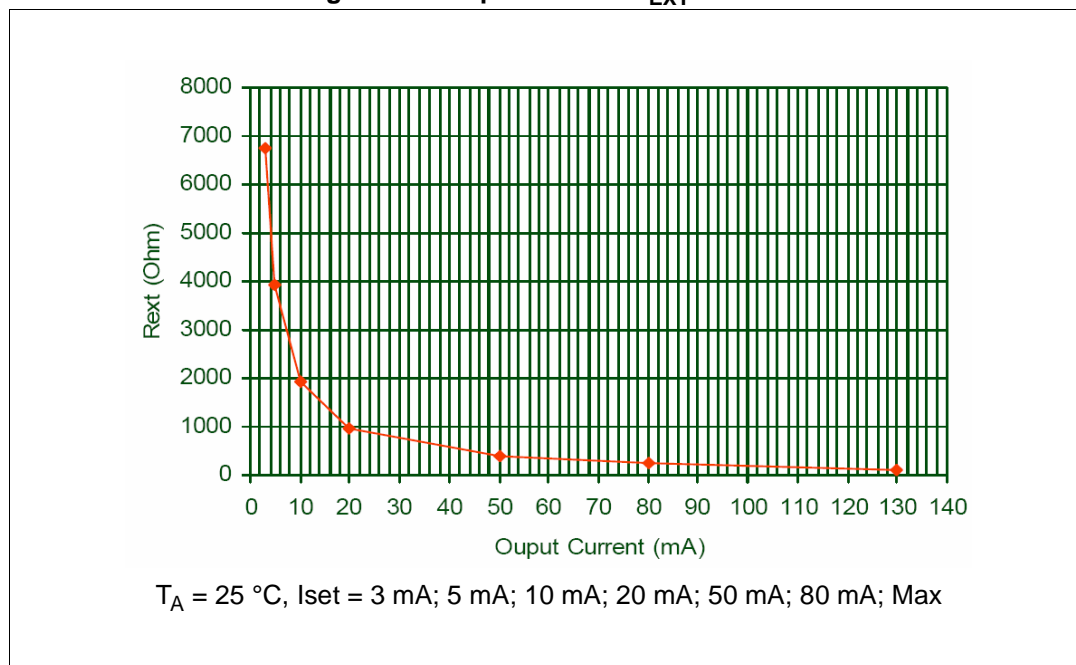


Table 10. Output current- R_{EXT} resistor

| Output current (mA) | 3 | 5 | 10 | 20 | 50 | 80 | 130 |
|------------------------|------|------|------|-----|-----|-----|-----|
| R_{ext} (Ω) | 6740 | 3930 | 1913 | 963 | 386 | 241 | 124 |

Note: Maximum output current capabilities setting was 130 mA applying an $R_{ext} = 124\ \Omega$

Figure 12. I_{SET} vs drop out voltage (V_{DROP})

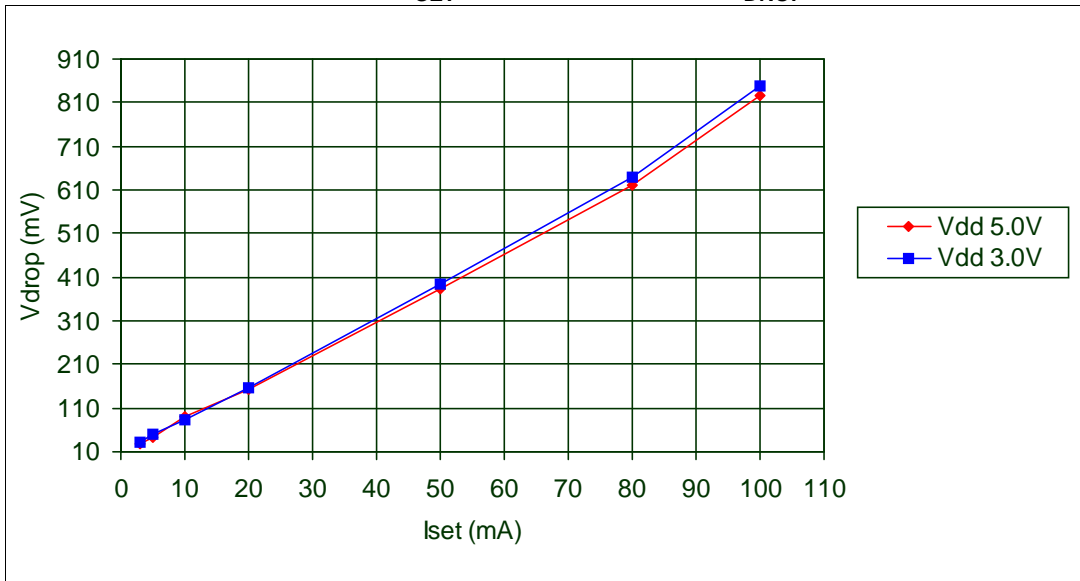
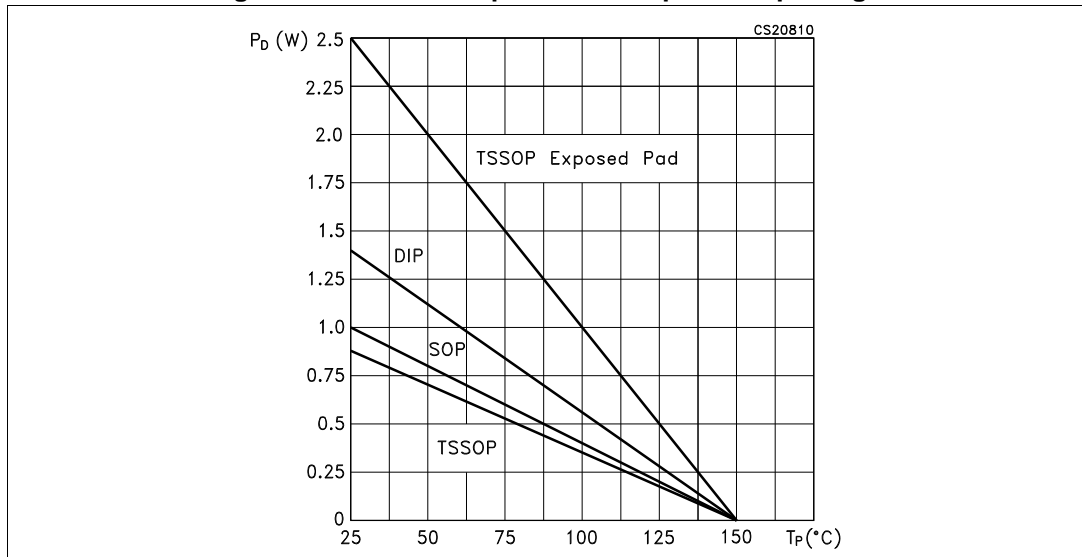


Table 11. I_{SET} vs drop out voltage (V_{DROP})

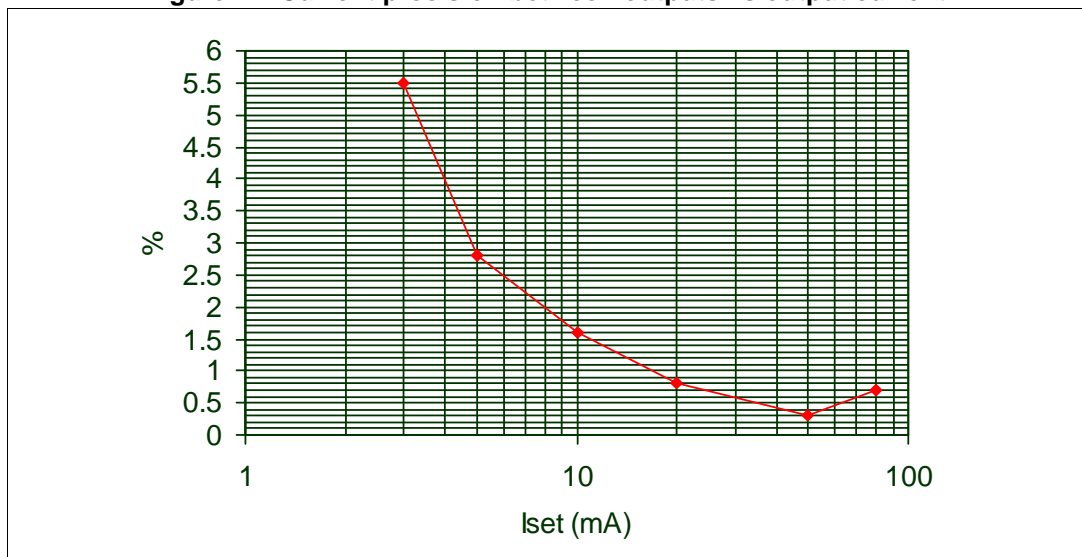
| Vdd (V) | I set (mA) | Rext (Ω) | Vdrop min (mV) | Vdrop max (mV) | Vdrop AVG (mV) |
|---------|------------|----------|----------------|----------------|----------------|
| 3 | 3 | 6470 | 30.6 | 31.2 | 30.93 |
| | 5 | 3930 | 46.5 | 52.9 | 48.63 |
| | 10 | 1910 | 80.9 | 100 | 82.26 |
| | 20 | 963 | 150 | 161 | 157 |
| | 50 | 386 | 392 | 396 | 394.3 |
| | 80 | 241 | 636 | 646 | 640.3 |
| | 100 | 192 | 846 | 850 | 848 |
| 5 | 3 | 6470 | 25.6 | 29 | 26.96 |
| | 5 | 3930 | 40.8 | 41.7 | 41.16 |
| | 10 | 1910 | 80.1 | 105 | 89.2 |
| | 20 | 963 | 153 | 154 | 154 |
| | 50 | 386 | 379 | 386 | 382 |
| | 80 | 241 | 618 | 626 | 621 |
| | 100 | 192 | 825 | 830 | 827 |

Figure 13. Power dissipation vs temperature package



Note: The exposed-pad should be soldered to the PBC to realize the thermal benefits.

Figure 14. Current precision between outputs vs output current



9 Test circuit

Figure 15. DC characteristics

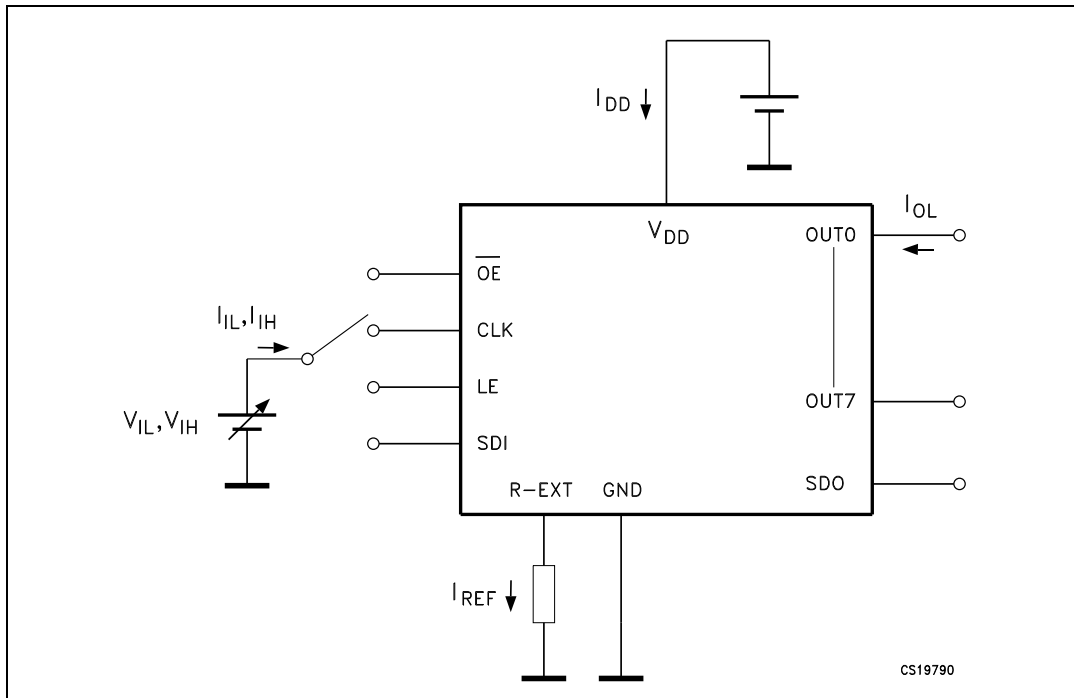


Figure 16. AC characteristics

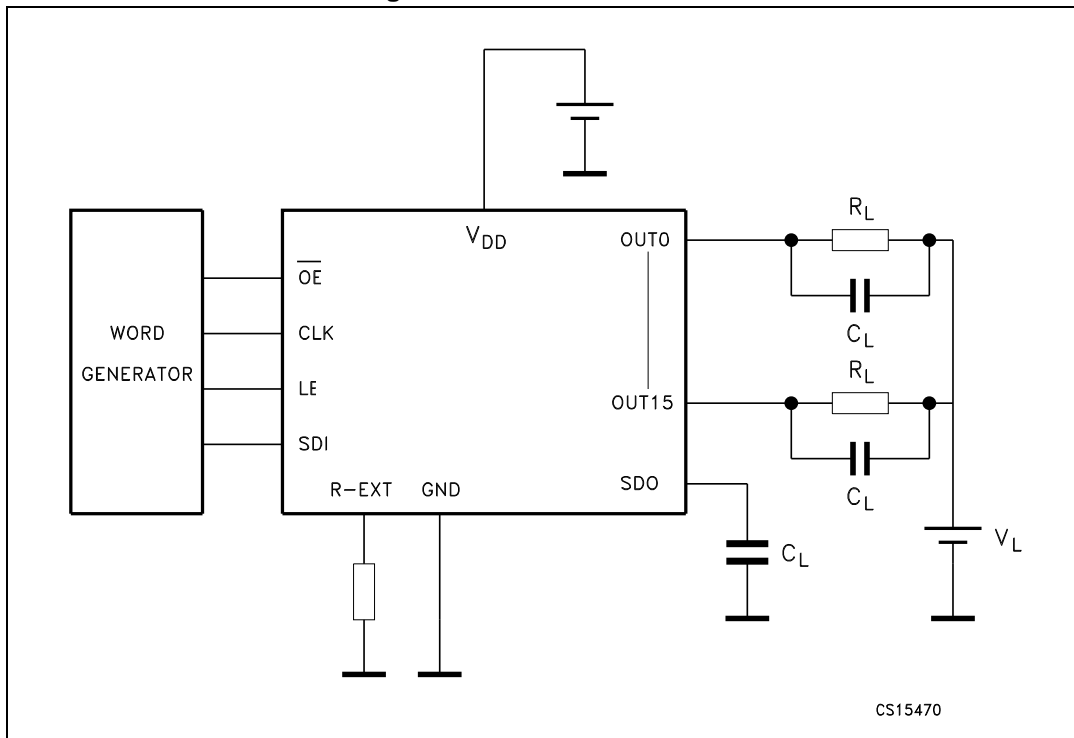
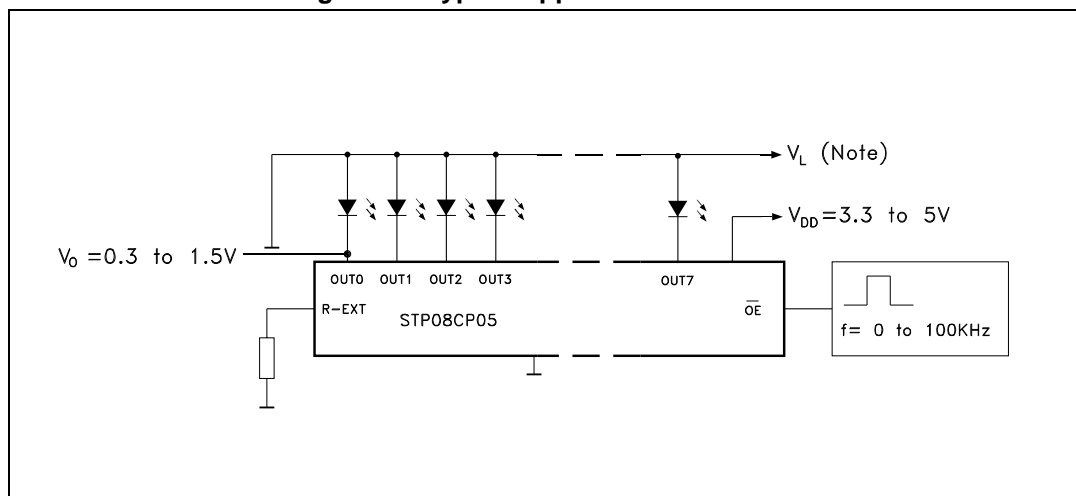


Figure 17. Typical application schematic



10 Package mechanical data

In order to meet environmental requirements, ST offers these devices in different grades of ECOPACK[®] packages, depending on their level of environmental compliance. ECOPACK[®] specifications, grade definitions and product status are available at: www.st.com. ECOPACK[®] is an ST trademark.

Table 12. DIP16 mechanical data

| Dim | mm | | |
|-----|------|-------|------|
| | Min | Typ | Max |
| a1 | 0.51 | | |
| B | 0.77 | | 1.65 |
| b | | 0.5 | |
| b1 | | 0.25 | |
| D | | | 20 |
| E | | 8.5 | |
| e | | 2.54 | |
| e3 | | 17.78 | |
| F | | | 7.1 |
| I | | | 5.1 |
| L | | 3.3 | |
| Z | | | 1.27 |

Figure 18. DIP16 drawing

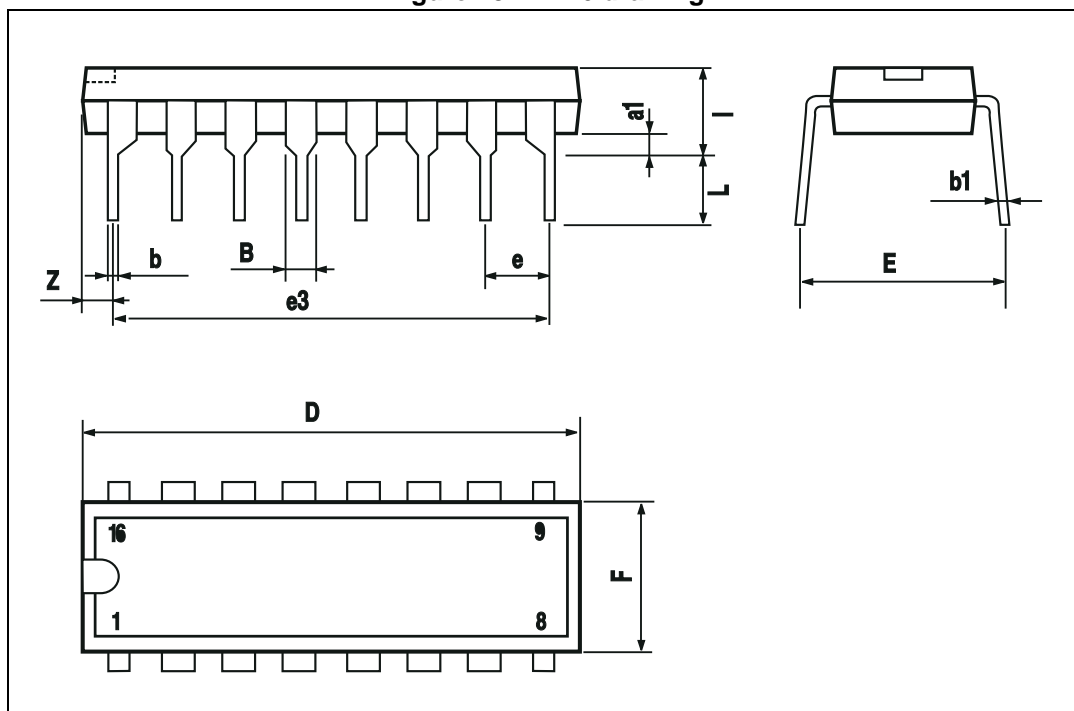


Table 13. HTSSOP16 exposed pad mechanical data

| Dim | mm | | |
|-----|------|------|------|
| | Min | Typ | Max |
| A | | | 1.20 |
| A1 | | | 0.15 |
| A2 | 0.80 | 1.00 | 1.05 |
| b | 0.19 | | 0.30 |
| c | 0.09 | | 0.20 |
| D | 4.90 | 5.00 | 5.10 |
| D1 | 2.8 | 3 | 3.2 |
| E | 6.20 | 6.40 | 6.60 |
| E1 | 4.30 | 4.40 | 4.50 |
| E2 | 2.8 | 3 | 3.2 |
| e | | 0.65 | |
| L | 0.45 | 0.60 | 0.75 |
| L1 | | 1.00 | |
| k | 0.00 | | 8.00 |
| aaa | | | 0.10 |

Figure 19. HTSSOP16 exposed pad drawing

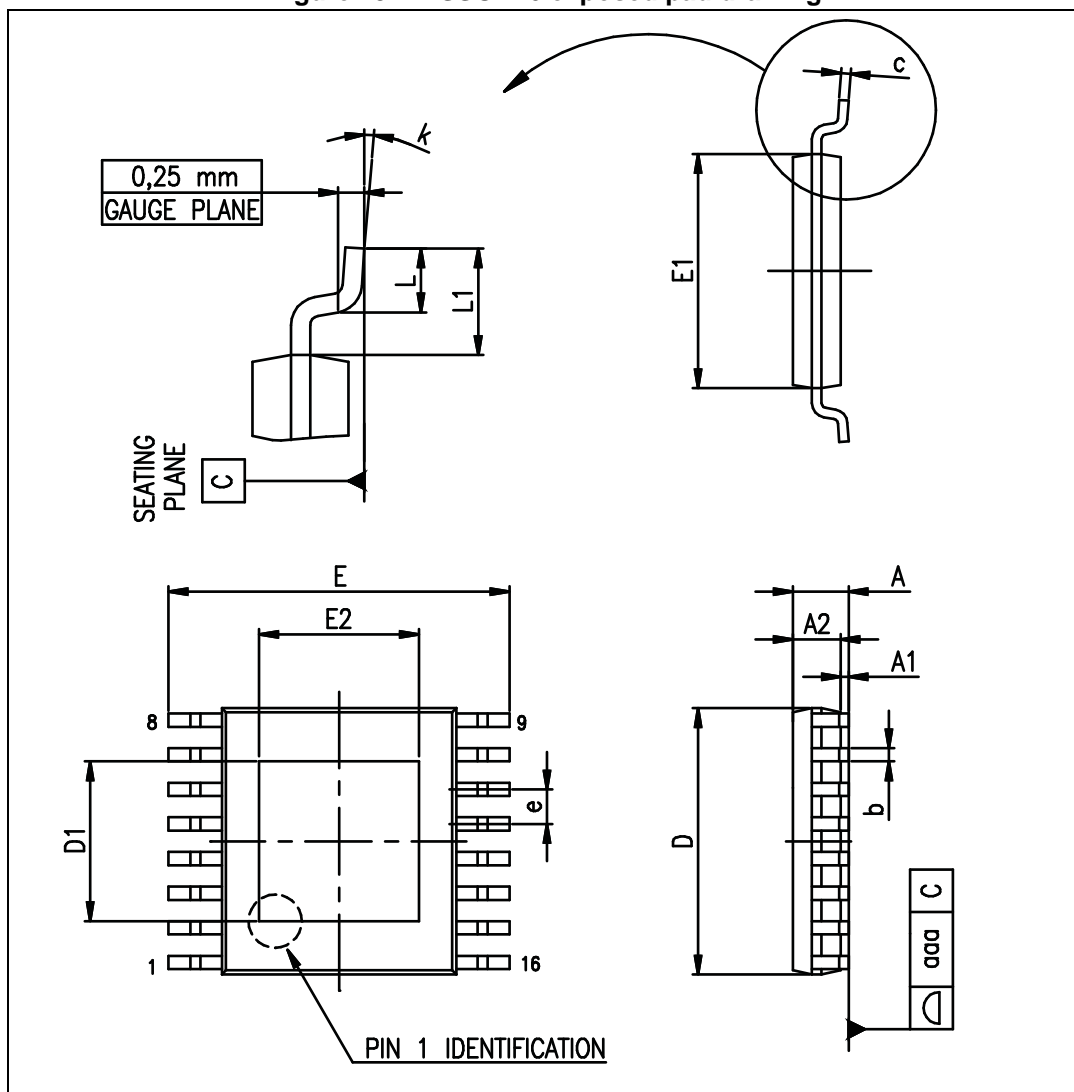


Table 14. HTSSOP16 mechanical data

| Dim | mm | | |
|-----|------|------|------|
| | Min | Typ | Max |
| A | | | 1.20 |
| A1 | | | 0.15 |
| A2 | 0.80 | 1.00 | 1.05 |
| b | 0.19 | | 0.30 |
| c | 0.09 | | 0.20 |
| D | 4.90 | 5.00 | 5.10 |
| D1 | 2.8 | 3 | 3.2 |
| E | 6.20 | 6.40 | 6.60 |
| E1 | 4.30 | 4.40 | 4.50 |
| E2 | 2.8 | 3 | 3.2 |
| e | | 0.65 | |
| L | 0.45 | 0.60 | 0.75 |
| L1 | | 1.00 | |
| k | 0.00 | | 8.00 |
| aaa | | | 0.10 |

Figure 20. HTSSOP16 mechanical drawing

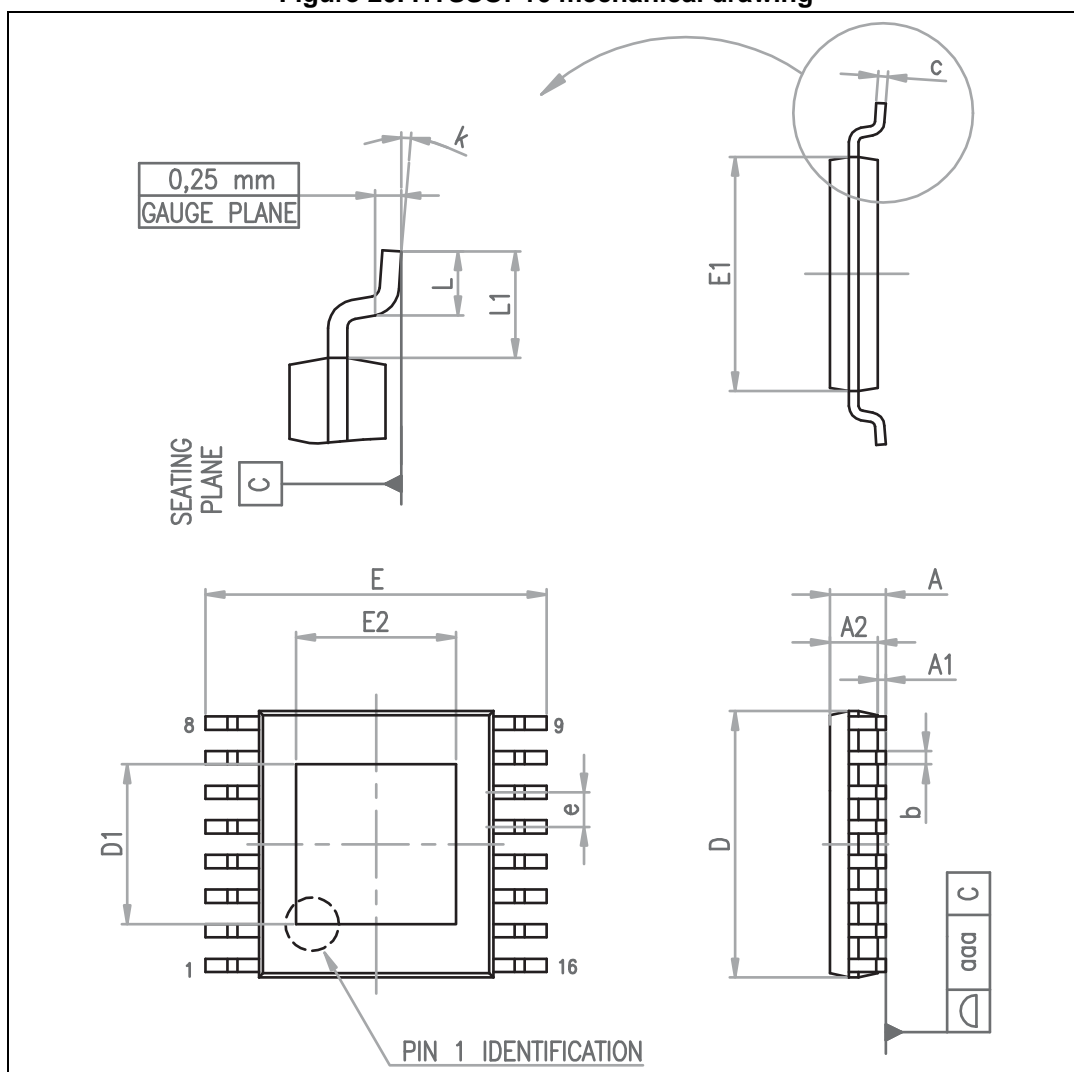
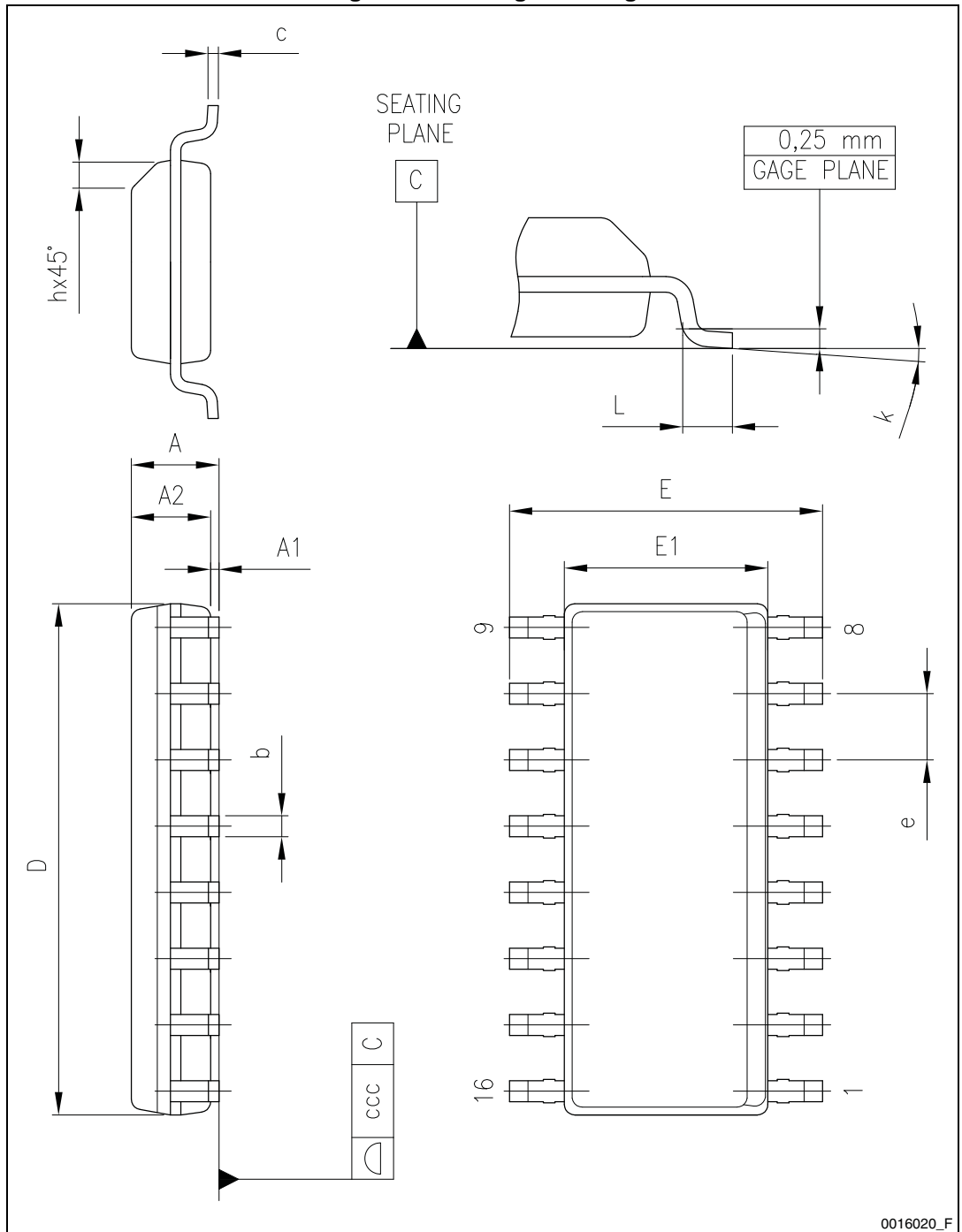


Table 15. SO16N dimensions

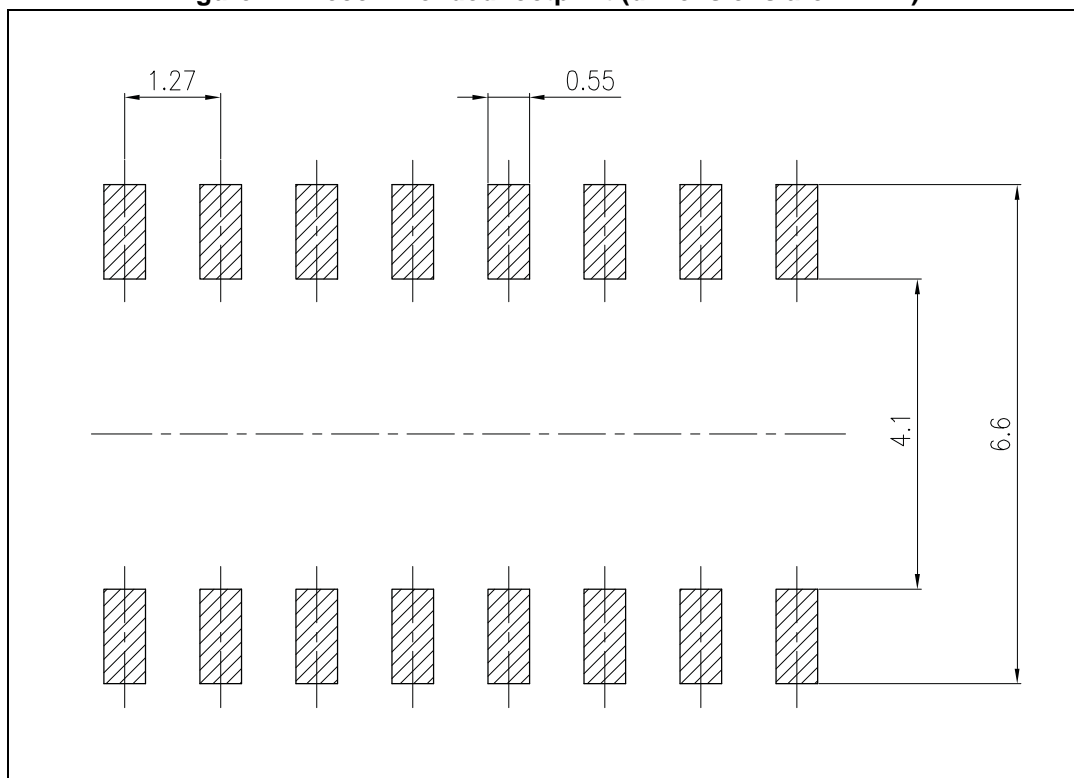
| Dim | mm | | |
|-----|------|------|-------|
| | Min | Typ | Max |
| A | | | 1.75 |
| A1 | 0.10 | | 0.25 |
| A2 | 1.25 | | |
| b | 0.31 | | 0.51 |
| c | 0.17 | | 0.25 |
| D | 9.80 | 9.90 | 10.00 |
| E | 5.80 | 6.00 | 6.20 |
| E1 | 3.80 | 3.90 | 4.00 |
| e | | 1.27 | |
| h | 0.25 | | 0.50 |
| L | 0.40 | | 1.27 |
| k | 0 | | 8° |
| ccc | | | 0.10 |

Figure 21. Package drawing



0016020_F

Figure 22. Recommended footprint (dimensions are in mm)

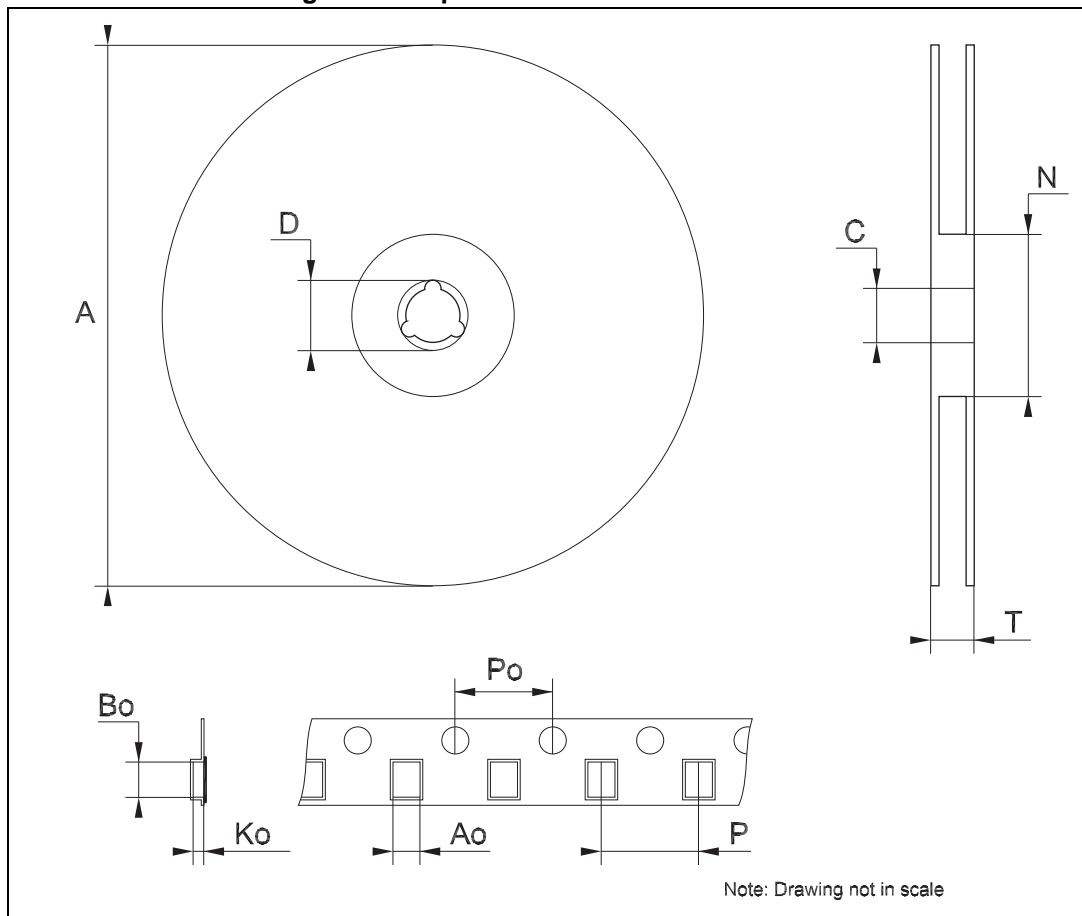


11 Packaging mechanical data

Table 16. HTSSOP16 EP tape and reel mechanical data

| Dim | mm | | |
|-----|------|-----|------|
| | Min | Typ | Max |
| A | | | 330 |
| C | 12.8 | | 13.2 |
| D | 20.2 | | |
| N | 60 | | |
| T | | | 22.4 |
| Ao | 6.7 | | 6.9 |
| Bo | 5.3 | | 5.5 |
| Ko | 1.6 | | 1.8 |
| Po | 3.9 | | 4.1 |
| P | 7.9 | | 8.1 |

Figure 23. Tape and reel for HTSSOP16 EP



12 Revision history

Table 17. Document revision history

| Date | Revision | Changes |
|-------------|----------|---|
| 23-May-2007 | 1 | First release |
| 28-Jun-2007 | 2 | Updated Table 7 on page 7 |
| 12-Mar-2008 | 3 | Updated Table 8 on page 8 and added Figure 11 and Figure 12 on page 15 |
| 07-Aug-2008 | 4 | Updated Section 8: Typical characteristics on page 14 |
| 27-Aug-2010 | 5 | Updated Note: on page 3 |
| 10-Jul-2013 | 6 | Updated Section 10: Package mechanical data, Figure 3: OE terminal and Figure 4: LE terminal . Added Section 11: Packaging mechanical data . |

Please Read Carefully:

Information in this document is provided solely in connection with ST products. STMicroelectronics NV and its subsidiaries ("ST") reserve the right to make changes, corrections, modifications or improvements, to this document, and the products and services described herein at any time, without notice.

All ST products are sold pursuant to ST's terms and conditions of sale.

Purchasers are solely responsible for the choice, selection and use of the ST products and services described herein, and ST assumes no liability whatsoever relating to the choice, selection or use of the ST products and services described herein.

No license, express or implied, by estoppel or otherwise, to any intellectual property rights is granted under this document. If any part of this document refers to any third party products or services it shall not be deemed a license grant by ST for the use of such third party products or services, or any intellectual property contained therein or considered as a warranty covering the use in any manner whatsoever of such third party products or services or any intellectual property contained therein.

UNLESS OTHERWISE SET FORTH IN ST'S TERMS AND CONDITIONS OF SALE ST DISCLAIMS ANY EXPRESS OR IMPLIED WARRANTY WITH RESPECT TO THE USE AND/OR SALE OF ST PRODUCTS INCLUDING WITHOUT LIMITATION IMPLIED WARRANTIES OF MERCHANTABILITY, FITNESS FOR A PARTICULAR PURPOSE (AND THEIR EQUIVALENTS UNDER THE LAWS OF ANY JURISDICTION), OR INFRINGEMENT OF ANY PATENT, COPYRIGHT OR OTHER INTELLECTUAL PROPERTY RIGHT.

ST PRODUCTS ARE NOT AUTHORIZED FOR USE IN WEAPONS. NOR ARE ST PRODUCTS DESIGNED OR AUTHORIZED FOR USE IN: (A) SAFETY CRITICAL APPLICATIONS SUCH AS LIFE SUPPORTING, ACTIVE IMPLANTED DEVICES OR SYSTEMS WITH PRODUCT FUNCTIONAL SAFETY REQUIREMENTS; (B) AERONAUTIC APPLICATIONS; (C) AUTOMOTIVE APPLICATIONS OR ENVIRONMENTS, AND/OR (D) AEROSPACE APPLICATIONS OR ENVIRONMENTS. WHERE ST PRODUCTS ARE NOT DESIGNED FOR SUCH USE, THE PURCHASER SHALL USE PRODUCTS AT PURCHASER'S SOLE RISK, EVEN IF ST HAS BEEN INFORMED IN WRITING OF SUCH USAGE, UNLESS A PRODUCT IS EXPRESSLY DESIGNATED BY ST AS BEING INTENDED FOR "AUTOMOTIVE, AUTOMOTIVE SAFETY OR MEDICAL" INDUSTRY DOMAINS ACCORDING TO ST PRODUCT DESIGN SPECIFICATIONS. PRODUCTS FORMALLY ESCC, QML OR JAN QUALIFIED ARE DEEMED SUITABLE FOR USE IN AEROSPACE BY THE CORRESPONDING GOVERNMENTAL AGENCY.

Resale of ST products with provisions different from the statements and/or technical features set forth in this document shall immediately void any warranty granted by ST for the ST product or service described herein and shall not create or extend in any manner whatsoever, any liability of ST.

ST and the ST logo are trademarks or registered trademarks of ST in various countries.

Information in this document supersedes and replaces all information previously supplied.

The ST logo is a registered trademark of STMicroelectronics. All other names are the property of their respective owners.

© 2013 STMicroelectronics - All rights reserved

STMicroelectronics group of companies

Australia - Belgium - Brazil - Canada - China - Czech Republic - Finland - France - Germany - Hong Kong - India - Israel - Italy - Japan - Malaysia - Malta - Morocco - Philippines - Singapore - Spain - Sweden - Switzerland - United Kingdom - United States of America

www.st.com



Mouser Electronics

Authorized Distributor

Click to View Pricing, Inventory, Delivery & Lifecycle Information:

[STMicroelectronics:](#)

[STP08CP05MTR](#) [STP08CP05TTR](#) [STP08CP05XTTR](#)