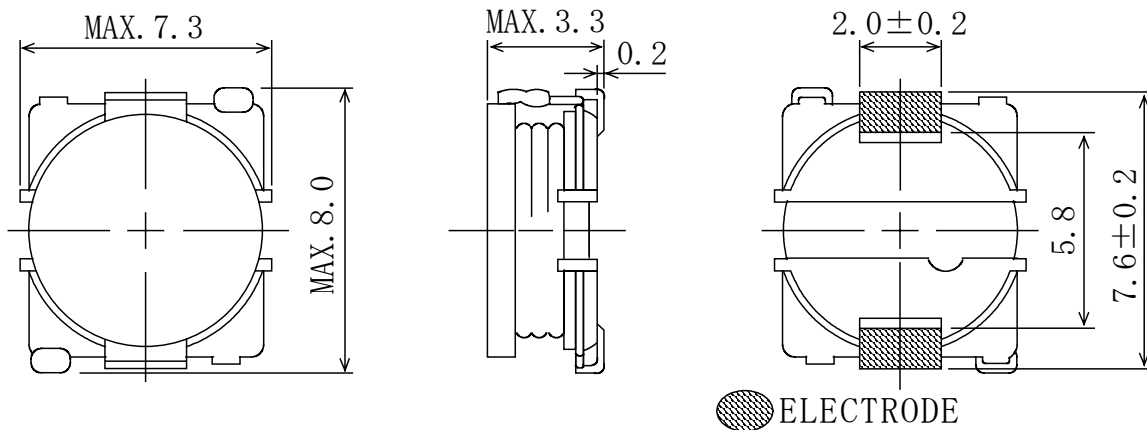
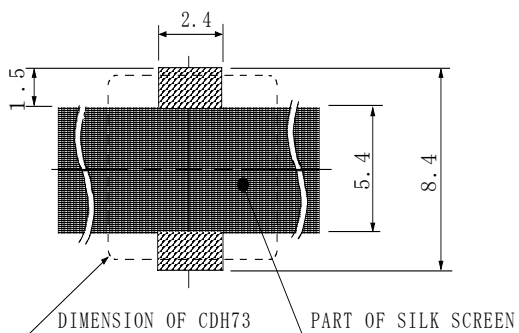


Type: CDH73
◆ Product Description

- 7.3×8.0mm Max.(L×W), 3.3mm Max. Height.
- Inductance range: 10~220 μ H.
- Rated current range: 0.26~1.2A.
- In addition to the standard versions of inductors shown here, custom inductors are available to meet your exact requirements.


◆ Feature

- Magnetically unshielded construction.
- Ideally used in PDA,DVD,HDD, DVC, Game machine, Notebook PC, etc as DC-DC Converter inductors.
- RoHS Compliance

◆ Dimensions (mm)

◆ Land Pattern (mm)


Type: CDH73
◆ Specification

Part Name ※	Stamp	Inductance [Within] 1 kHz	D.C.R.(Ω) Max.(Typ.) (at 20°C)	Rated current (A) ※1
CDH73NP-100M□	100	10 μ H ± 20 %	77m (59m)	1.20
CDH73NP-120M□	120	12 μ H ± 20 %	92m (71m)	1.05
CDH73NP-150L□	150	15 μ H ± 15 %	0.11(87m)	1.00
CDH73NP-180L□	180	18 μ H ± 15 %	0.13(0.10)	0.90
CDH73NP-220L□	220	22 μ H ± 15 %	0.18(0.14)	0.81
CDH73NP-270L□	270	27 μ H ± 15 %	0.21(0.16)	0.75
CDH73NP-330K□	330	33 μ H ± 10 %	0.24(0.19)	0.66
CDH73NP-390K□	390	39 μ H ± 10 %	0.28(0.21)	0.59
CDH73NP-470K□	470	47 μ H ± 10 %	0.35(0.27)	0.56
CDH73NP-560K□	560	56 μ H ± 10 %	0.40(0.31)	0.51
CDH73NP-680K□	680	68 μ H ± 10 %	0.51(0.39)	0.47
CDH73NP-820K□	820	82 μ H ± 10 %	0.60(0.46)	0.41
CDH73NP-101K□	101	100 μ H ± 10 %	0.70(0.54)	0.37
CDH73NP-121K□	121	120 μ H ± 10 %	0.89(0.69)	0.35
CDH73NP-151K□	151	150 μ H ± 10 %	1.04(0.80)	0.31
CDH73NP-181K□	181	180 μ H ± 10 %	1.22(0.94)	0.28
CDH73NP-221K□	221	220 μ H ± 10 %	1.63(1.30)	0.26

※ Description of part name

CDH73NP-100M□

- B Box
- C Carrier Tape

※1 Rated current: The DC current at which the inductance decreases to 90% of its initial value or when $\Delta t=40^{\circ}\text{C}$, whichever is lower ($T_a=20^{\circ}\text{C}$).