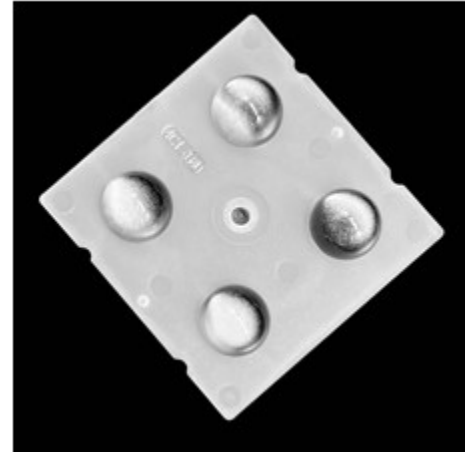


DATASHEET S01.01.01.006_SS-50X50-4-60

L50 Highbay

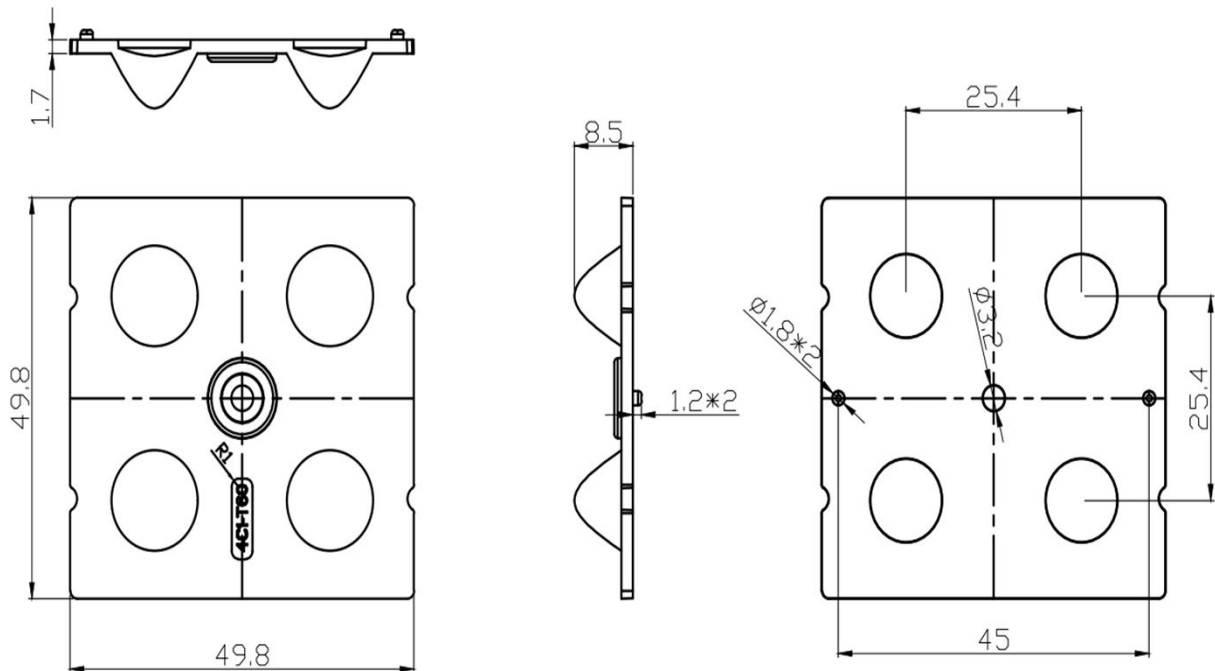
1.General Information

- ✓ Lens Material: PC
- ✓ Size: 50X50MM
- ✓ Beam angle: 60°
- ✓ Compatibility: 3030*4/5050 (PHILIPS/ LUMILEDS)
- ✓ Efficiency: 93%
- ✓ Fasten: Screw
- ✓ IP class: N/A
- ✓ Seal: N/A
- ✓ RoHS: YES
- ✓ Color: Matt



2.MECHANICAL SPECIFICATION

UNIT:MM



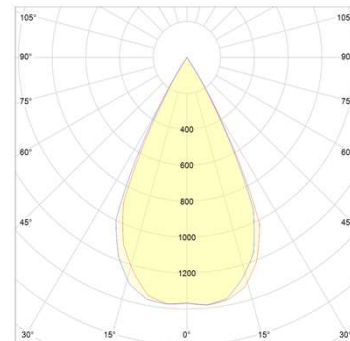
3.OPTICAL DATA

1) Test Data

Brand: Not simulate
LED model: Not simulate
Light colour: Not simulate
FWTM: Not simulate
FWHM: Not simulate

2) Simulation Data

Brand: Luxeon
LED model: 5050 Round
Light colour: White
FWTM: H66.1°,V66.3°
FWHM: H53.9°,V54.2°



4.Usage and Maintenance

- 1) If necessary, clean lenses with mild soap, water and soft cloth.
- 2) Never use any commercial cleaning solvents on lenses, like alcohol.
- 3) Please handle lens with wearing gloves, skin oils may damage lens or its optical characteristic.

5.Note

Please test the data again before using. The chart data is for reference only.