

DATASHEET

Architectural light Lens S01.01.02.034 _SG-D36-1-5

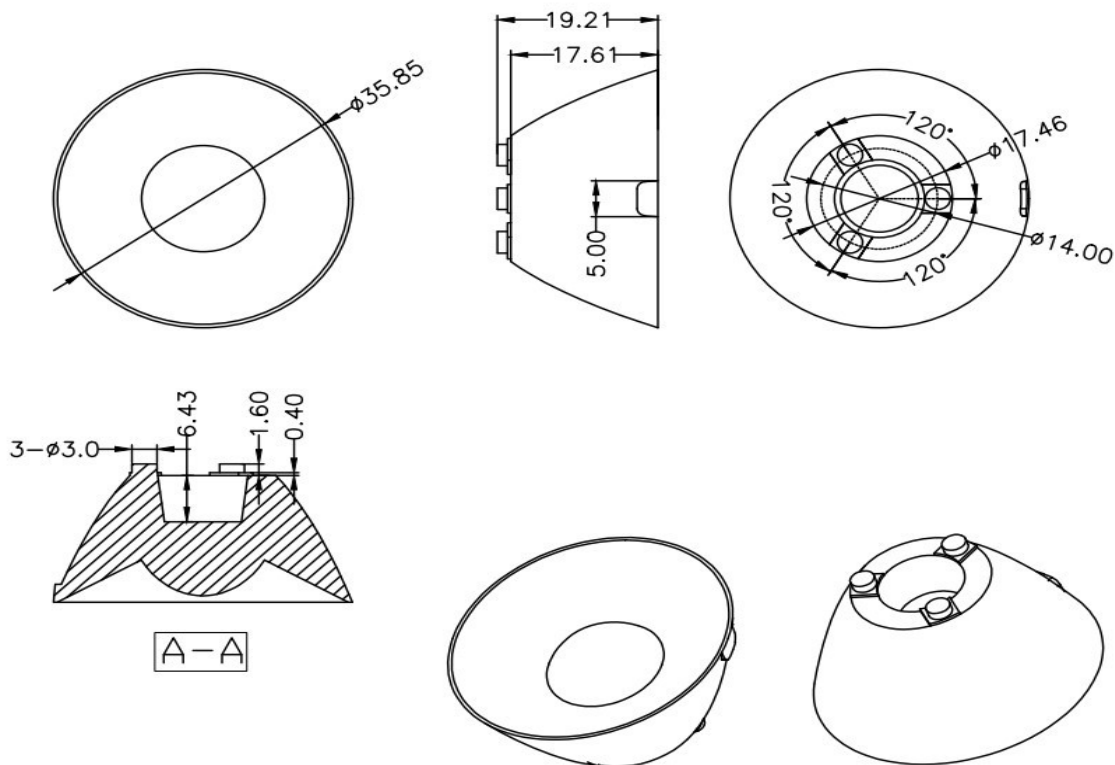
1.General Information

- ✓ Lens Material: PMMA
- ✓ Size: D36(MM)
- ✓ Beam angle: 5°
- ✓ Compatibility: CREE XPE2 3535
- ✓ Efficiency: 93%
- ✓ Fasten: Frame
- ✓ IP class: N/A
- ✓ Seal: N/A
- ✓ RoHS: YES
- ✓ Color: Clear Matt



2.MECHANICAL SPECIFICATION

UNIT:MM



3.OPTICAL DATA

1) Simulation Data

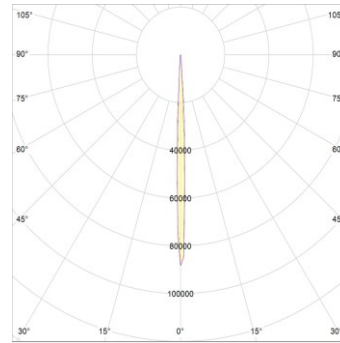
Brand: CREE XPE2

LED model: 3535

Light colour: White

FWTM: H8.6°,V7.9°

FWHM: H4.6°,V4.5°



2) Test Data

Brand: Not simulate

LED model: Not simulate

Light colour: Not simulate

FWTM: Not simulate

FWHM: Not simulate

4.Usage and Maintenance

- 1) If necessary, clean lenses with mild soap, water and soft cloth.
- 2) Never use any commercial cleaning solvents on lenses, like alcohol.
- 3) Please handle lens with wearing gloves, skin oils may damage lens or its optical characteristic.

5.Note

Please test the data again before using. The chart data is for reference only.