

## DATASHEET

### Street Light Lens

**S01.01.01.059 \_SS-173X71-12-T2S**

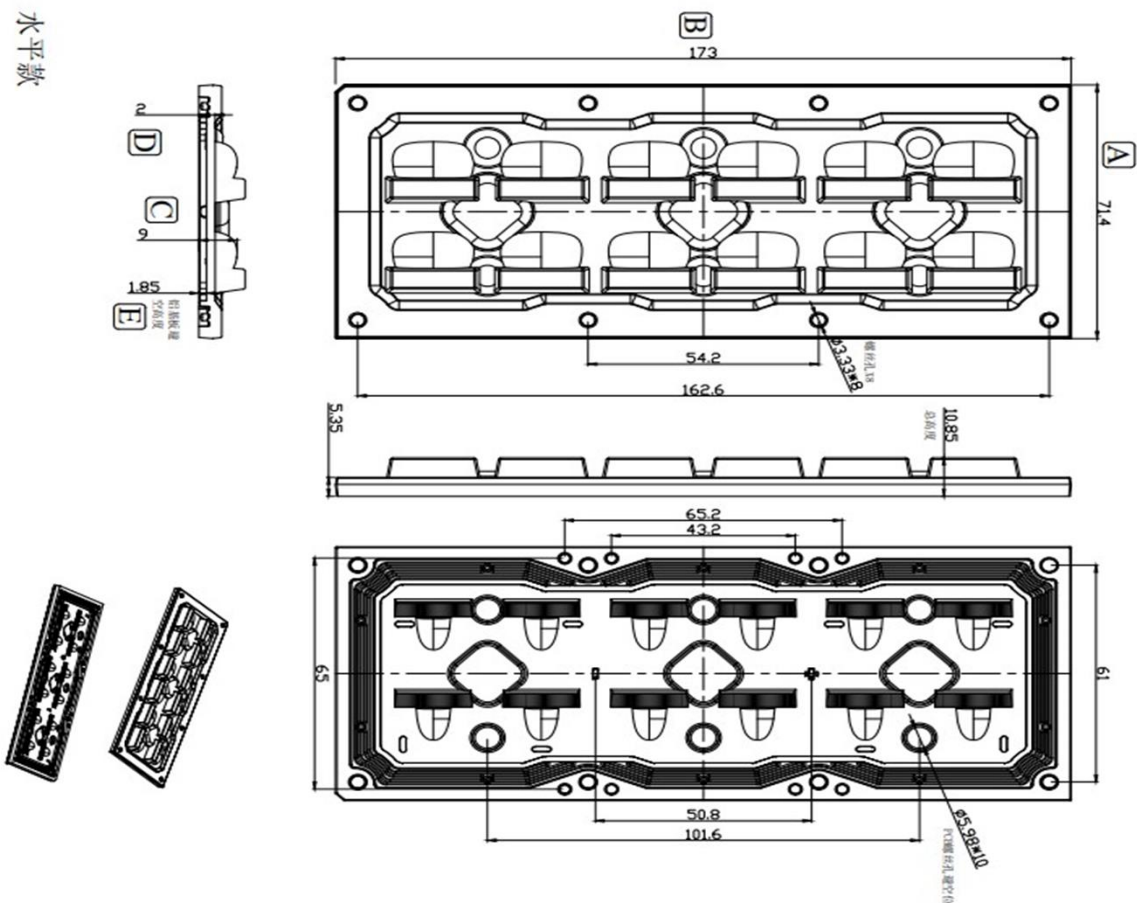
#### 1.General Information

- ✓ Lens Material: PC
- ✓ Size: 173X71MM
- ✓ Beam angle: T2S (150x65°)
- ✓ Compatibility: 5050(PHILIPS/LUMILEDS)
- ✓ Efficiency: 93%
- ✓ Fasten: Screw
- ✓ IP class: IP66
- ✓ Seal: Silicon gasket
- ✓ RoHS: YES
- ✓ Color: Matt



#### 2.MECHANICAL SPECIFICATION

UNIT:MM



## 3.OPTICAL DATA

### 1) Simulation Data

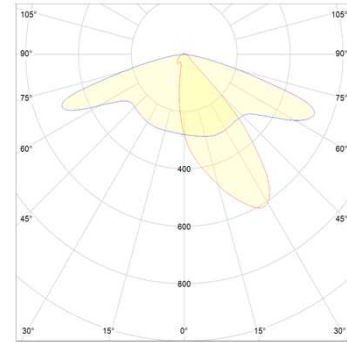
Brand: Luxeon

LED model: 5050 Round

Light colour: White

FWTM: H160°,V102.8°

FWHM: H146.7°,V61.5°



### 2) Test Data

Brand: Not simulate

LED model: Not simulate

Light colour: Not simulate

FWTM: Not simulate

FWHM: Not simulate

## 4.Usage and Maintenance

- 1) If necessary, clean lenses with mild soap, water and soft cloth.
- 2) Never use any commercial cleaning solvents on lenses, like alcohol.
- 3) Please handle lens with wearing gloves, skin oils may damage lens or its optical characteristic.

## 5.Note

Please test the data again before using. The chart data is for reference only.