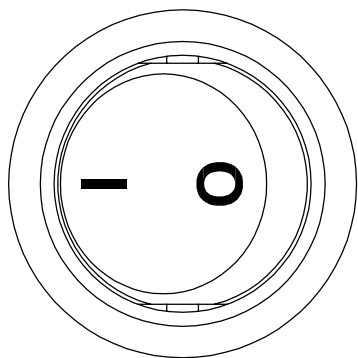
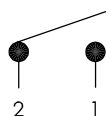


本圖面若與目錄之規格尺寸不符，以本圖面規格尺寸為主。
Below is our main specification if different from catalog.

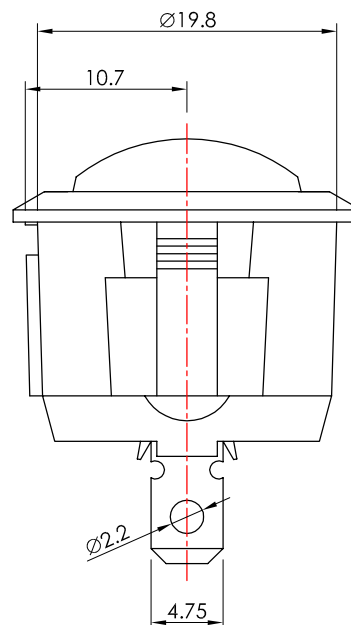
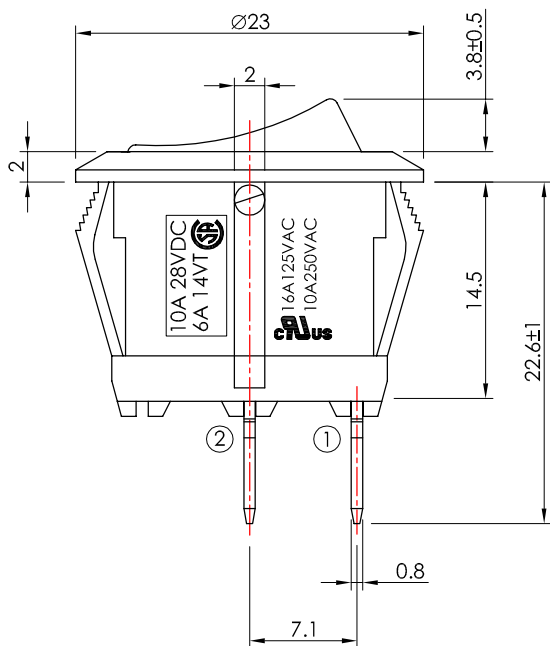
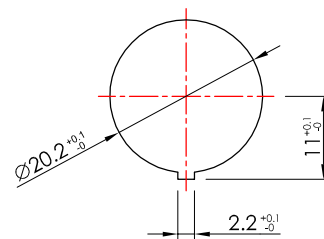
RoHS compliant



CIRCUIT STRUCTURE



MOUNT HOLE



R13-112AXXXT-G

HOUSING COLOR	
B	Black
W	White
G	Gray

ROCKER COLOR	
B	Black
W	White
G	Gray
R	Red
Y	Yellow
GN	Green

MARKING
refer to our catalog

RoHS compliant

SPECIFICATION

Rating: 10A 125V AC, 6A 250V AC.

Circuit: 2P SPST ON-OFF.

Contact resistance: 50mΩ Max. (initial)

Insulation resistance: 100MΩ Min at 500V DC.

Dielectric strength: 1,500V AC 1 minute.

Minimum load: 100mA 10V DC. (reference only)

Note: Not washable, don't immerse into epoxy and organic solvent.



V2.2	△		
V2.1	無	改版	2009.04.07
V2.0	無	新繪製	2003.11.12
版本 VER.	符號 SYMBOL	修改內容 ALTERATION	更新日期 DATE

產品 PRODUCT		Rocker Switch		型號 MODEL NO.		R13-112ABBBT-G	
比例 SCALE	2 : 1	單位 UNIT	mm	<div style="display: flex; justify-content: space-between; align-items: center;"> <div style="text-align: center;"> </div> <div style="text-align: center;"> </div> </div> <p>一綺電子企業股份有限公司 總公司：110 台北市信義路四段415號12樓之2 12F-2 NO. 415, SEC. 4, HSIN YI ROAD, TAIPEI, TAIWAN TEL : 886-2-27290229 (Rep.) FAX : 886-2-27582086 URL : http://www.switronic.com.tw E-MAIL : switches@ms36.hinet.net</p>			
公差 TOLERANCE	.X=±0.3mm, .XX=±0.2mm						
製圖 DRAWN BY	核圖 CHECKED BY	主管 APPROVED BY					
Jan Chiu	Alex Lin	Margaret Lee					