

版本：V2.3

*開關產品未經SWITRONIC同意，請勿拆解，否則無法負品質及安全責任。
Please do not decompose the switch without any permission from SWITRONIC,
otherwise the quality and safety responsibility could not be guaranteed.

*本圖面若與目錄之規格尺寸不符，以本圖面規格尺寸為主。
Below is our main specification if different from catalog.

RoHS compliant

RATING		NUTS & WASHER		SCREWS	
1	10A 250V AC	1	FIXED ON S/W	1	FIXED ON S/W
5	15A 250V AC	2	SEPARATE PACKING	2	SEPARATE PACKING
7	20A 250V AC	3	WITHOUT	3	WITHOUT

T901XX-WXXX-G

MODEL NO.	TYPE		
T901A	ON	NONE	OFF
T901F	(ON)	NONE	OFF
Term. Com.	1-3	—	OPEN

INDICATED PLATE	
1	ON OFF
N	WITHOUT

RoHS compliant



保存注意事項：

Precautions for preservation:

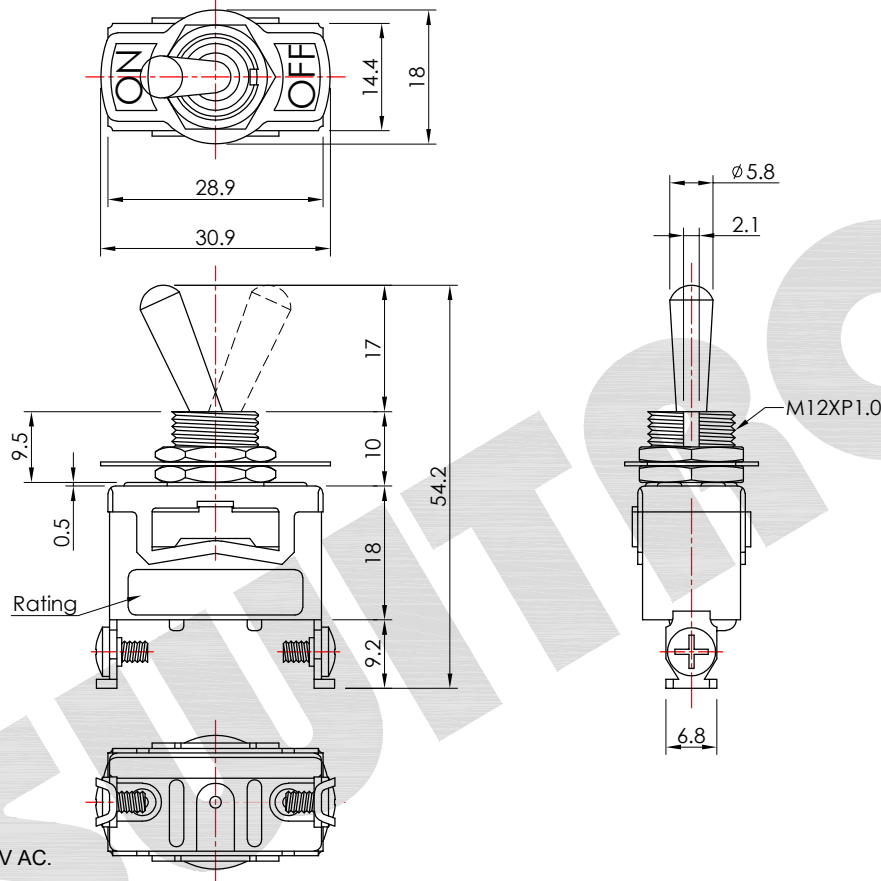
- 此產品為鍍銀或鍍金產品，裸露在空氣中極易氧化，會造成冷焊或焊接不良。建議拆封後，未使用完的開關務必放入袋內，並置入乾燥劑後密封袋口，以防氧化。

This is a silver-plated or gold-plated product, which can be easily oxidized when exposed to air that may cause cold welding or poor welding. We recommend that after unpacking, the unused switch must be preserved into a sealed bag with desiccant to prevent oxidation.

- 若產品拆封後，客戶未盡妥善保存之責，造成產品氧化，我司無法負保固責任。

After the product is unpacked, if the customer fails to properly preserve the product, causing the product to oxidize, our company cannot be held responsible for the warranty.

V2.3	無	改版	2022.06.21
V2.2	無	改版	2015.05.13
V2.1	無	改版	2008.04.17
V2.0	無	新繪製	2007.10.19
版本 VER.	符號 SYMBOL	修改內容 ALTERATION	更新日期 DATE



SPECIFICATION

Rating: 15A 250V AC, 20A 125V AC.

Function: ON-OFF.

Contact resistance: $\leq 20\text{m}\Omega$ 1A 2-4V DC.

Insulation resistance: $\geq 200\text{M}\Omega$ 500V DC.

Withstand voltage: $\geq 1,500\text{V AC}$.

Mechanical life: 20,000 Cycles.

Electrical life: 6,000 Cycles.

Note1: Unwashable, don't be immersed by epoxy and organic solvent.

Note2: Please do not scale the drawing comparing to real product and kindly measure the size of real product.

產品 PRODUCT	Power Toggle Switch		型號 MODEL NO.	T901A5-W112-G
製圖 DRAWN BY	核圖 CHECKED BY	主管 APPROVED BY	單位 UNIT	mm
Allan Wang	Chuck Young	Margaret Lee	比例 SCALE	1 : 1
			公差 TOLERANCE	.X \pm 0.3mm, .XX \pm 0.2mm

SWITRONIC[®]
INDUSTRIAL CORP.
Switches



一綺電子企業股份有限公司

總公司：110 台北市信義路四段415號13樓之3
13F-3, NO.415, SEC.4, HSIN YI ROAD, TAIPEI, TAIWAN
TEL : 886-2-27290229(Rep.) FAX : 886-2-27582086
URL : www.switronic.com E-MAIL : switches@ms36.hinet.net